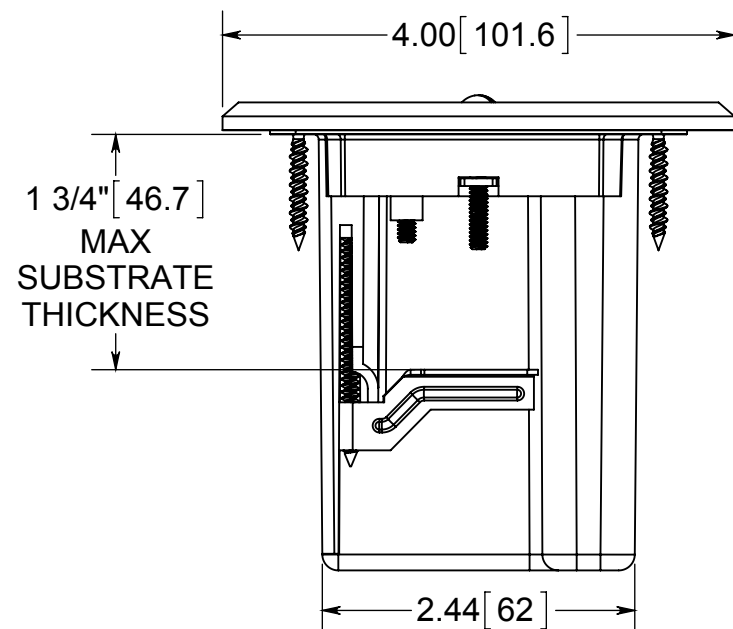
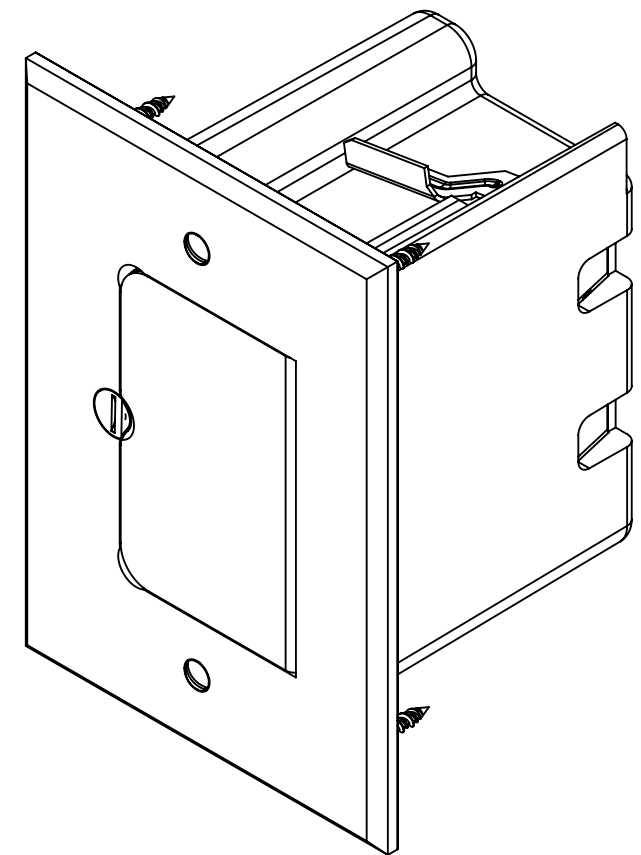
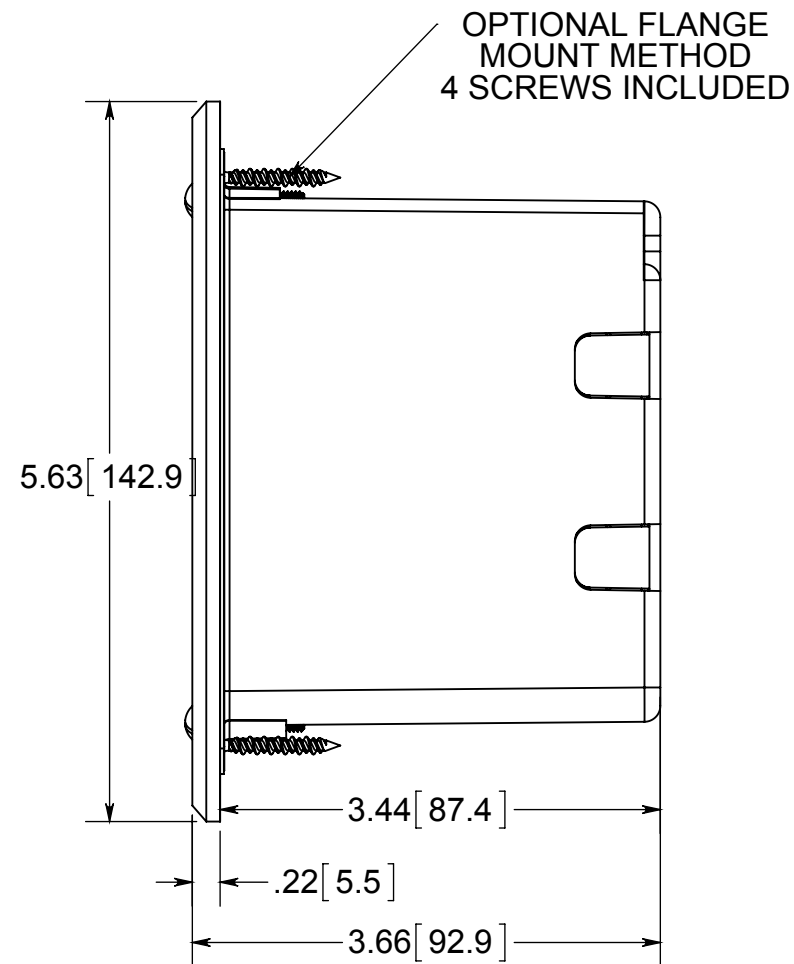
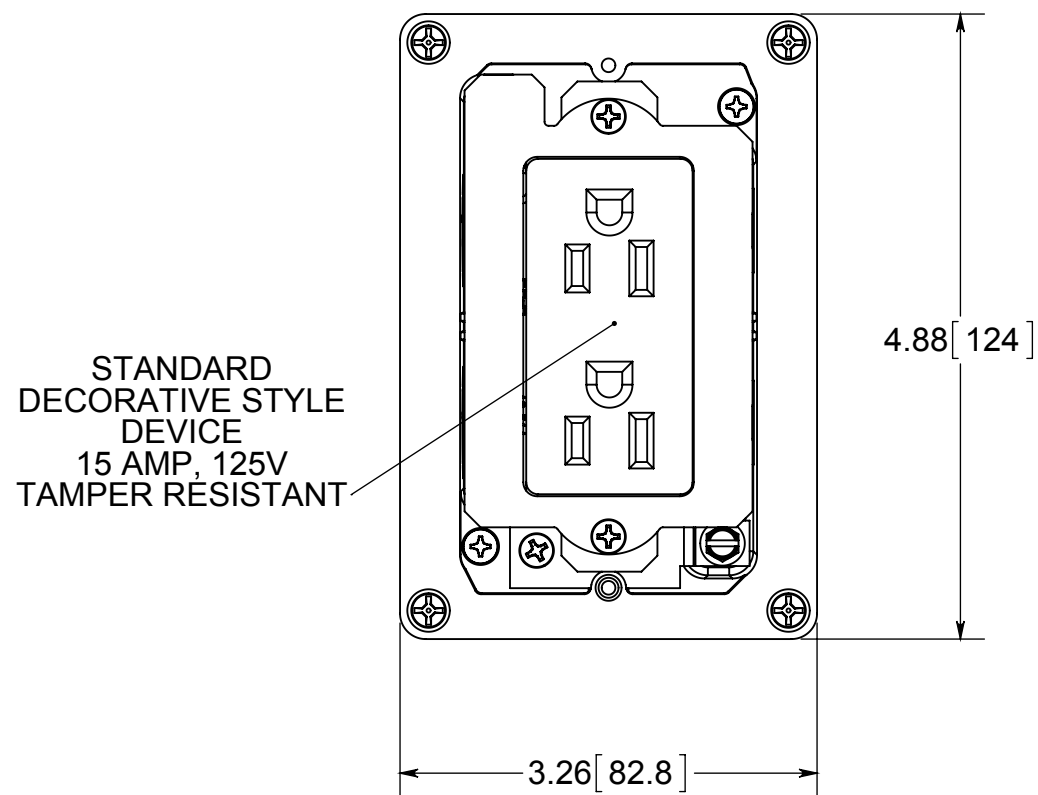


# FLOOR BOX



- NOTES:
- 1.) BOX MATERIAL: POLYCARBONATE, COVER PLATE MATERIAL: DARK BRONZE PLATED BRASS, COVER PLATE MOUNTING SCREW MATERIALS: DARK BRONZE PLATED BRASS, DEVICE MOUNTING SCREW MATERIALS: ZINC PLATED STEEL, FLANGE MOUNTING SCREW MATERIALS: BLACK PHOSPHATE COATED STEEL WING MATERIAL: ZINC PLATED STEEL, GROUND PLATE MATERIAL: ZINC PLATED STEEL, GASKET MATERIALS: POLYURETHANE FOAM
  - 2.) UL LISTED, FLOOR BOX MEETS UL514C SCRUB WATER EXCLUSION TEST

**ALLIED MOULDED PRODUCTS**  
BRYAN, OHIO  
The Original Fiber Glass Outlet Box

PRODUCT SERIES  
**SINGLE GANG FLIP LID FLOOR BOX**

Part No.  
**FB-6DB**

**CONFIDENTIAL**  
THIS MATERIAL IS OWNED BY THE ALLIED MOULDED PRODUCTS COMPANY, IS DISCLOSED IN CONFIDENCE, AND IS NOT TO BE REPRODUCED OR DISTRIBUTED WITHOUT PRIOR WRITTEN PERMISSION FROM ALLIED MOULDED PRODUCTS.