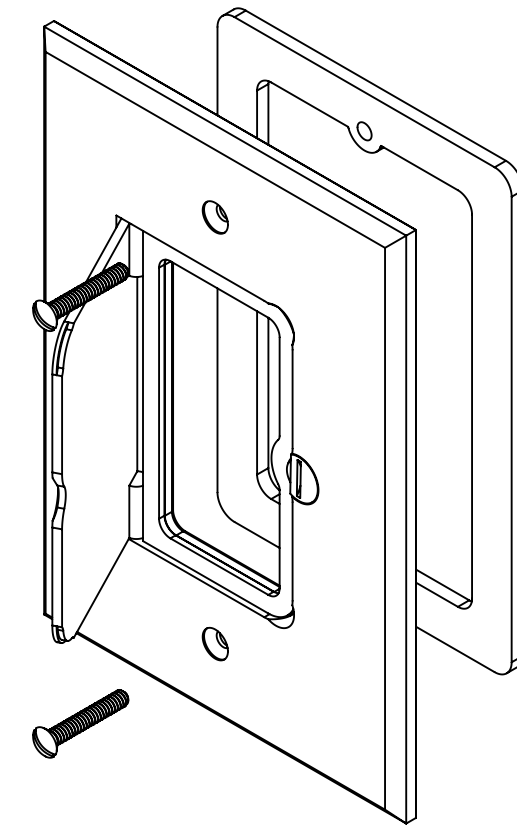
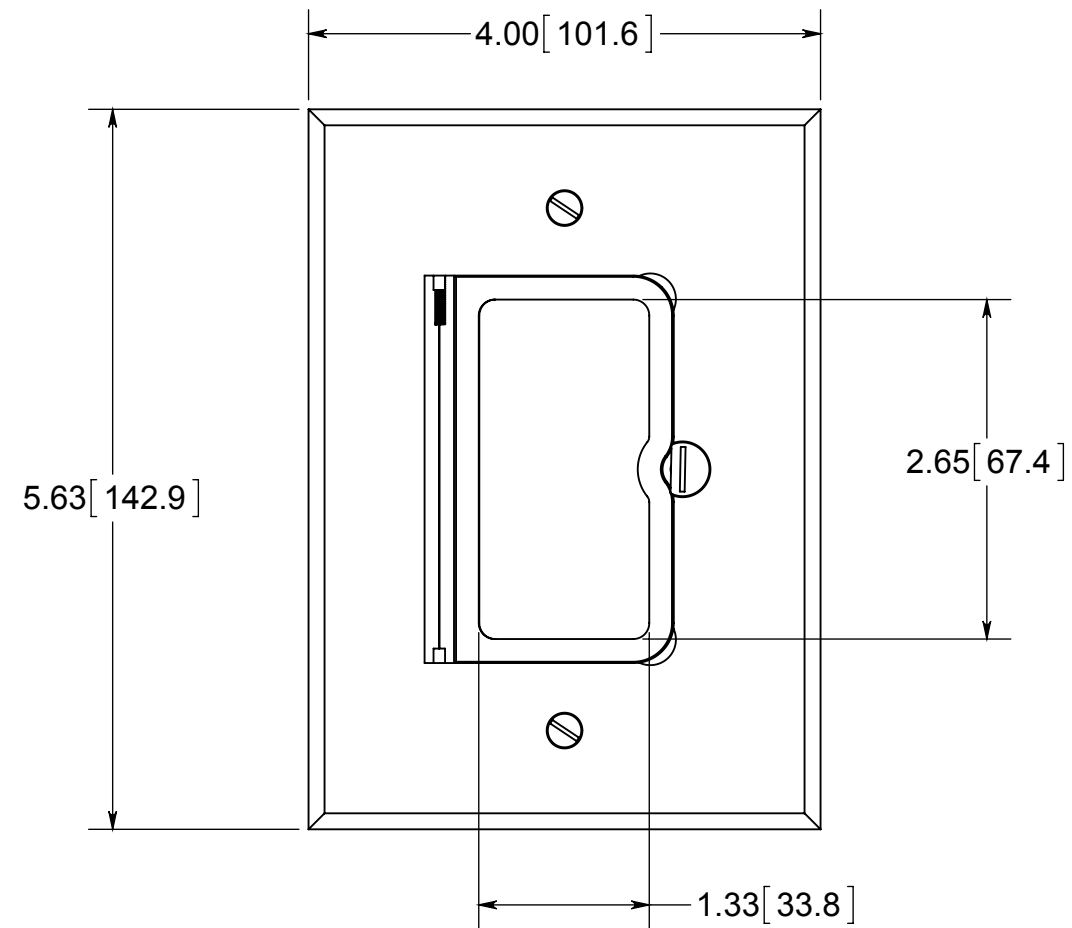
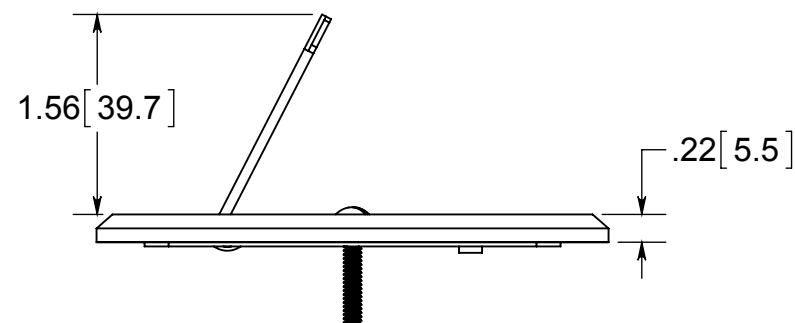


FLOOR BOX



NOTES:
 1.) COVER PLATE MATERIAL: DARK BRONZE PLATED BRASS, COVER PLATE MOUNTING SCREW MATERIAL: DARK BRONZE PLATED BRASS, GASKET MATERIALS: POLYURETHANE FOAM, O-RING MATERIAL: SILICONE
 2.) WHEN USED WITH FB-5DB FLOOR BOX IT IS UL LISTED, FLOOR BOX MEETS UL514C SCRUB WATER EXCLUSION TEST



 **ALLIED MOULDED PRODUCTS**
 BRYAN, OHIO
 The Original Fiber Glass Outlet Box

PRODUCT SERIES
 SINGLE GANG FLIP LID REPLACEMENT COVER

Part No.
FB-6DBCVR

CONFIDENTIAL
 THIS MATERIAL IS OWNED BY THE ALLIED MOULDED PRODUCTS COMPANY, IS DISCLOSED IN CONFIDENCE, AND IS NOT TO BE REPRODUCED OR DISTRIBUTED WITHOUT PRIOR WRITTEN PERMISSION FROM ALLIED MOULDED PRODUCTS.