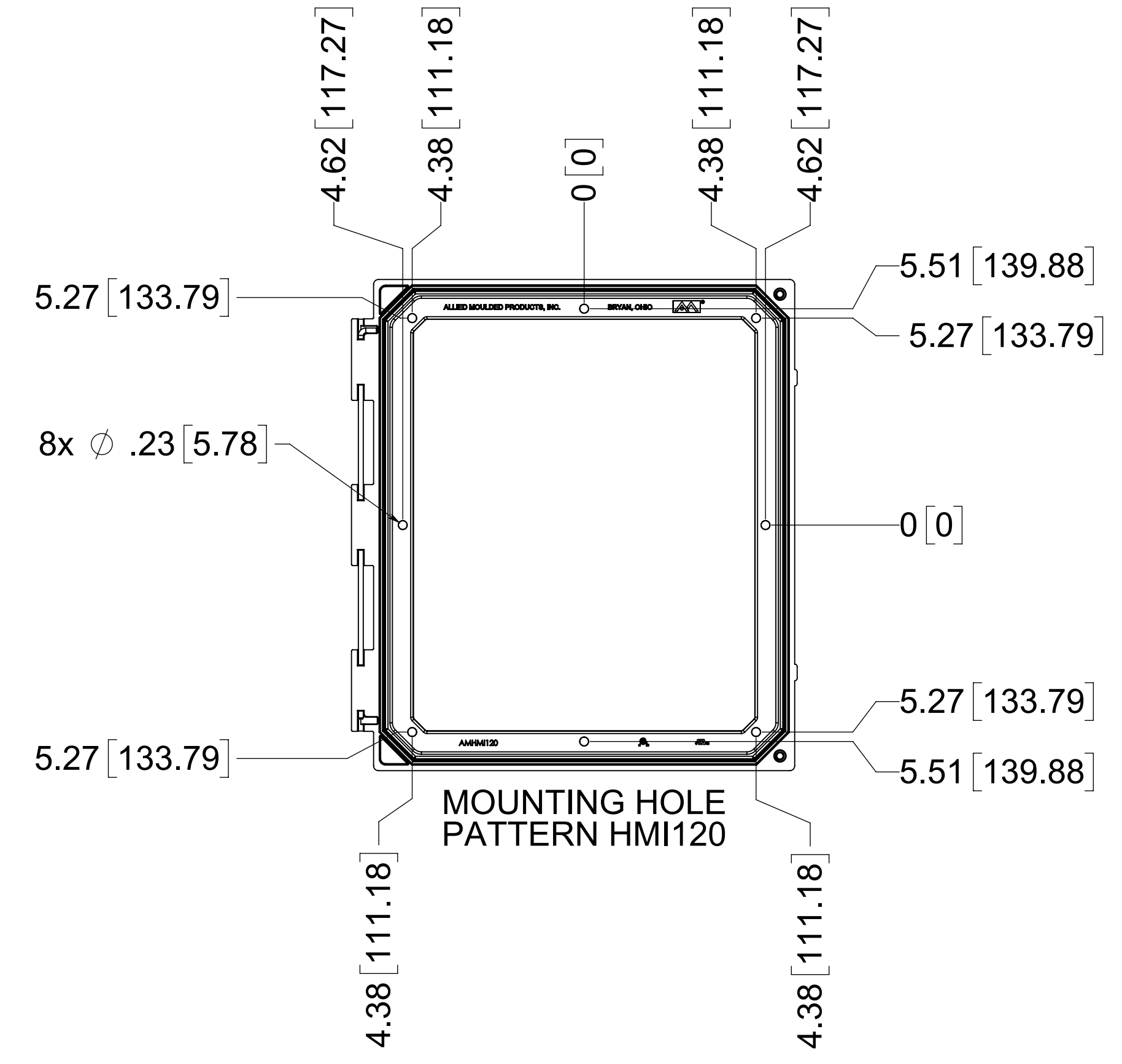
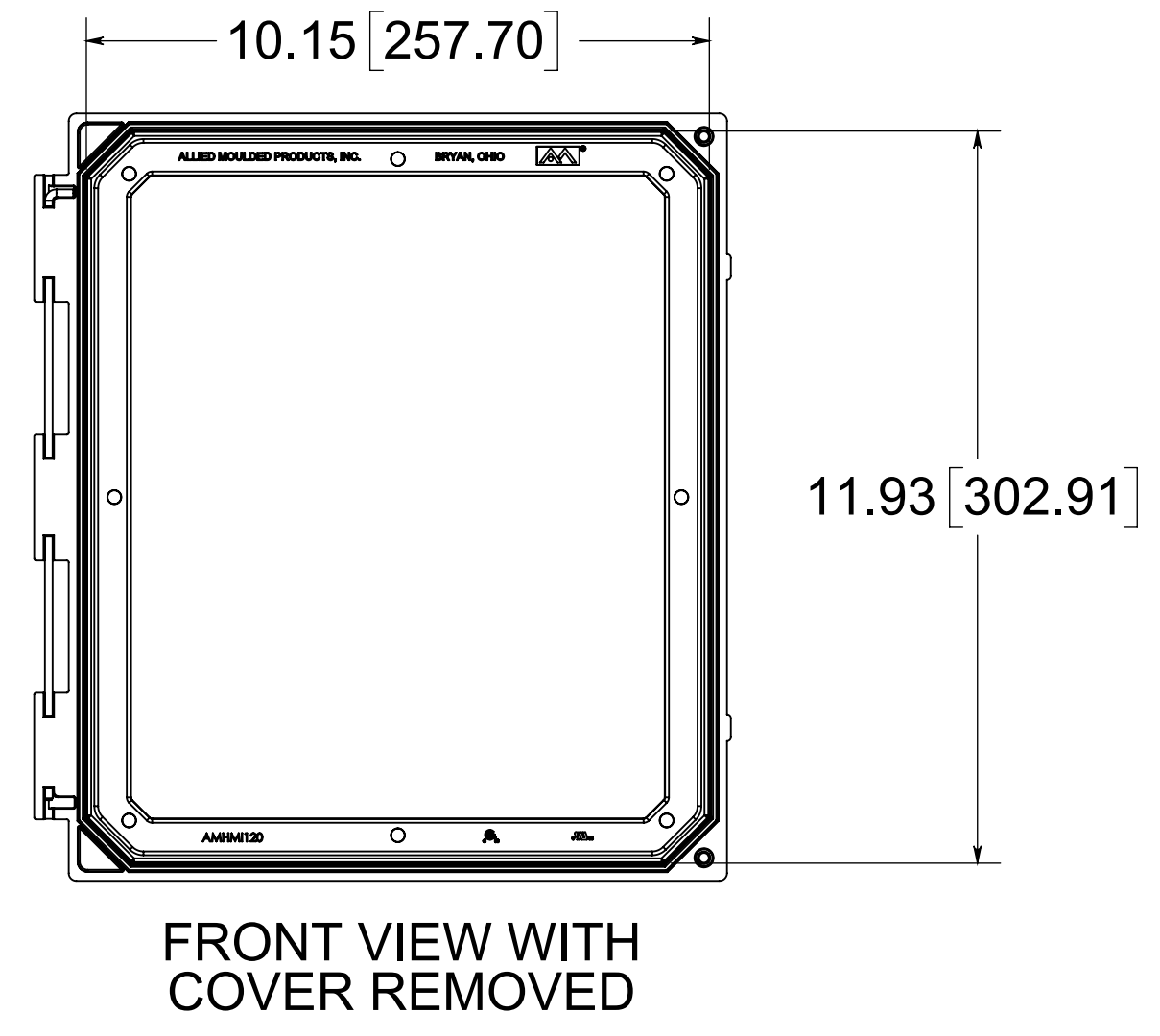
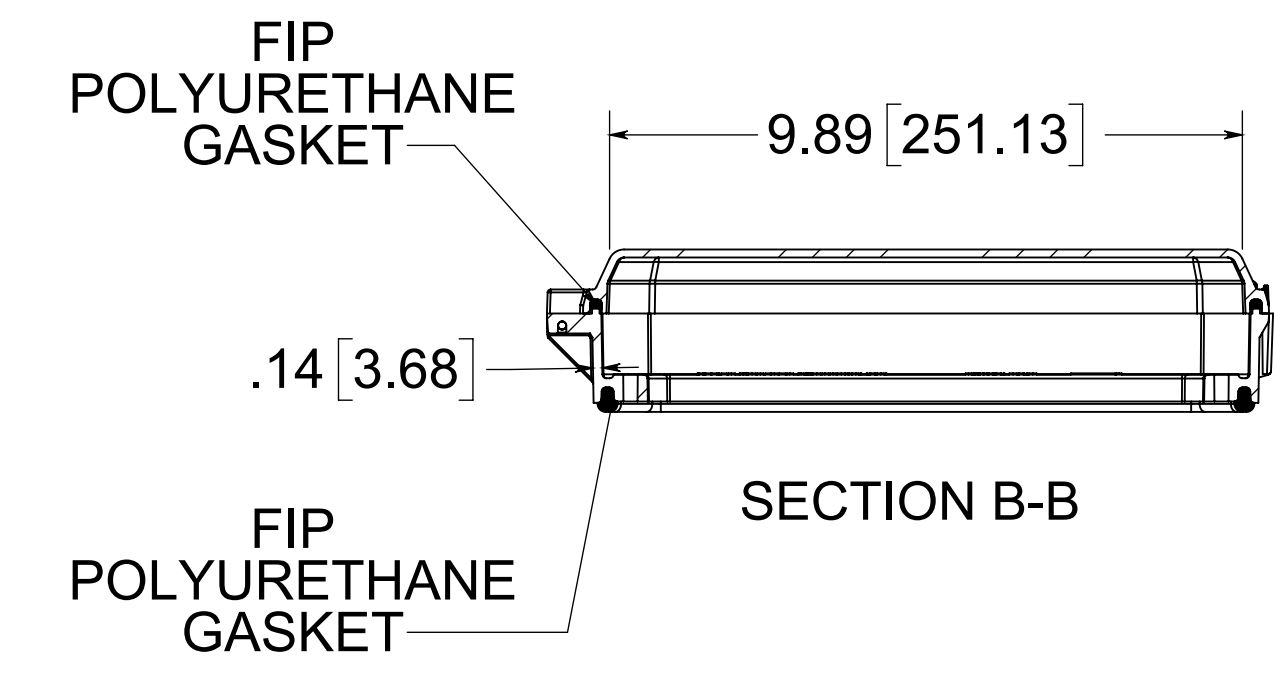


(2) EACH #10-32 BRASS INSERTS,
AND 316 STAINLESS STEEL
CAPTIVE COVER TAMPER PROOF
SCREWS WITH RETAINING O-RING



MATERIAL:
 BOX - INJECTION POLYCARBONATE
 STANDARD COVER - INJECTED POLYCARBONATE
 CLEAR COVER: INJECTED POLYCARBONATE

NOTE:
 1. DATA SUBJECT TO CHANGE
 2. WILL FIT ALLIED MOULDED ENCLOSURE SIZES 14X12 AND LARGER

CONFIDENTIAL
 THIS MATERIAL IS OWNED BY THE ALLIED
 MOULDED PRODUCTS COMPANY, IS DISCLOSED
 IN CONFIDENCE, AND IS NOT TO BE REPRODUCED
 OR DISTRIBUTED WITHOUT PRIOR WRITTEN
 PERMISSION FROM ALLIED MOULDED PRODUCTS.

ALLIED MOULDED PRODUCTS
 BRYAN, OHIO
 The Original Fiber Glass Outlet Box

Description
Access-Indus
 Part No.
AMHMI120HTP