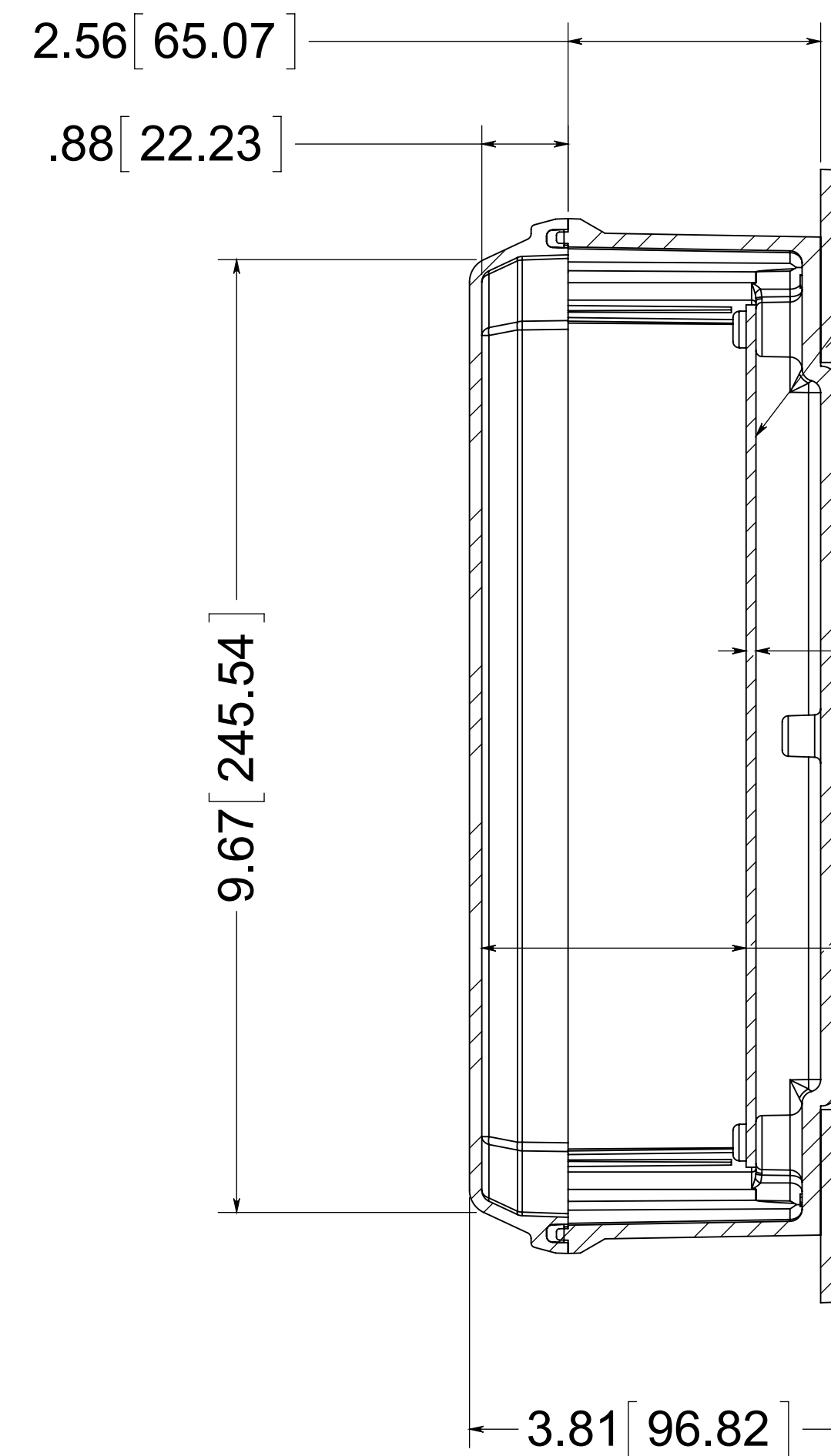
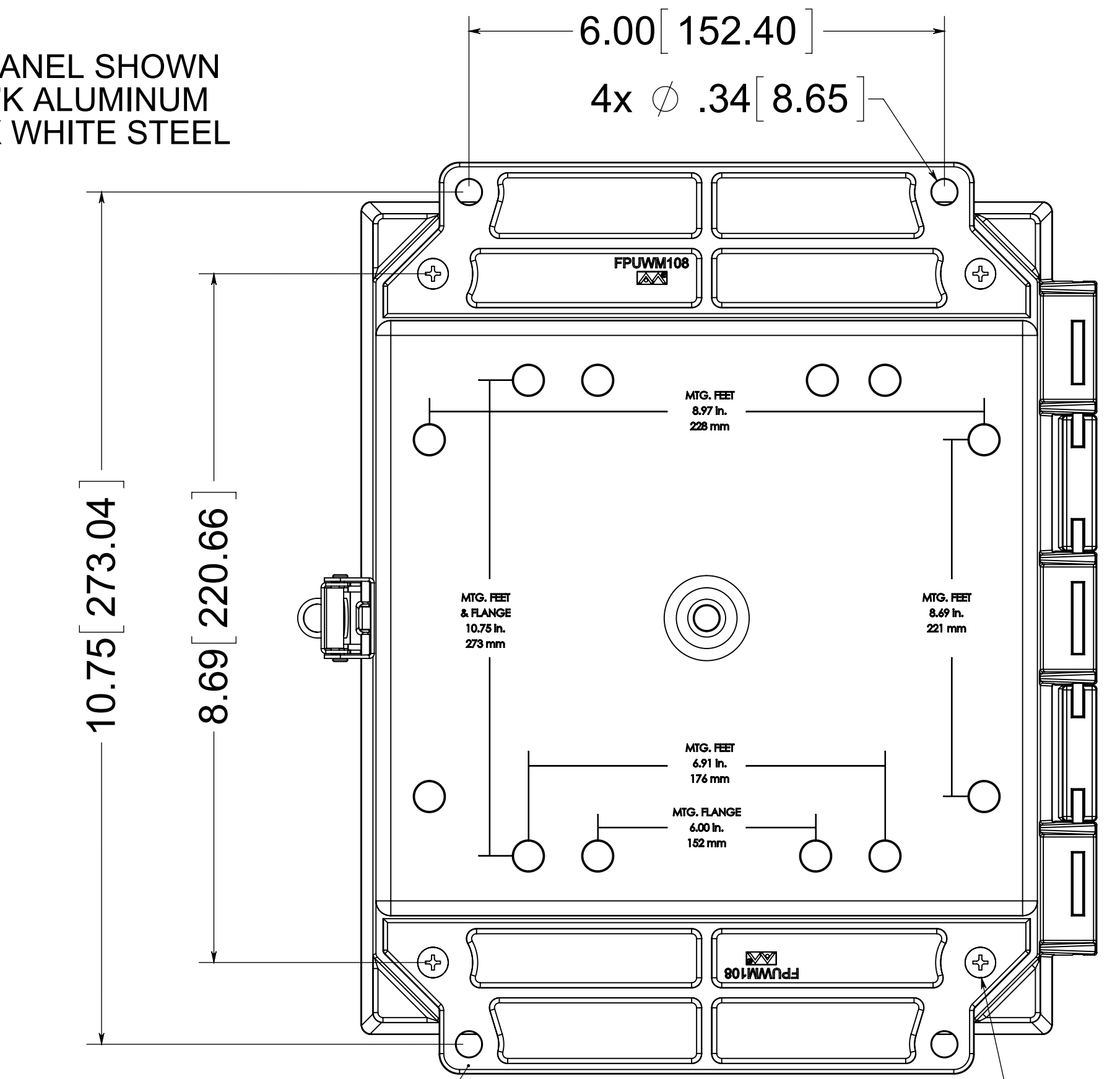


316 STAINLESS STEEL HINGE PIN

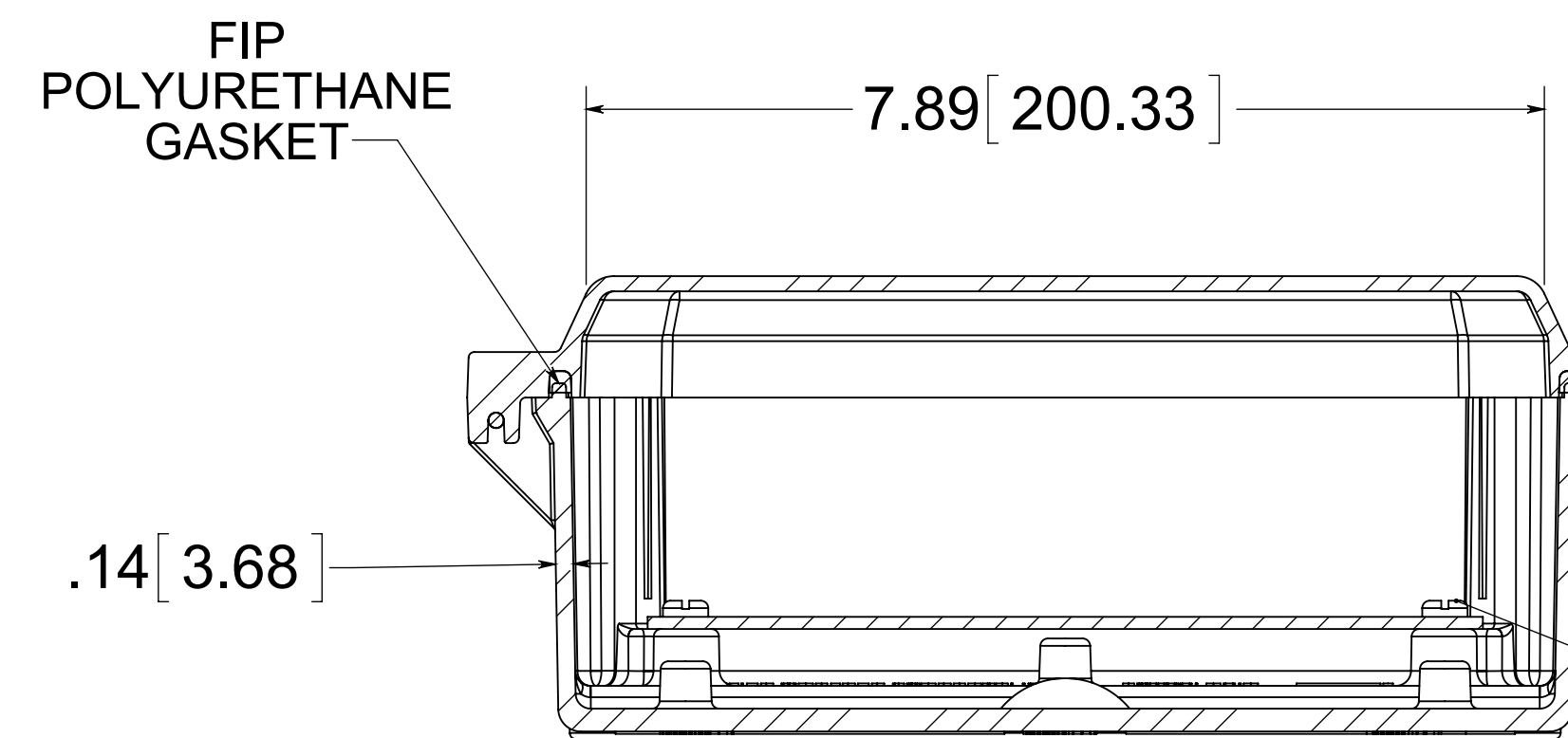


OPTIONAL BACK PANEL SHOWN  
0.100 [2.54mm] TH'K ALUMINUM  
0.075 [1.19mm] TH'K WHITE STEEL



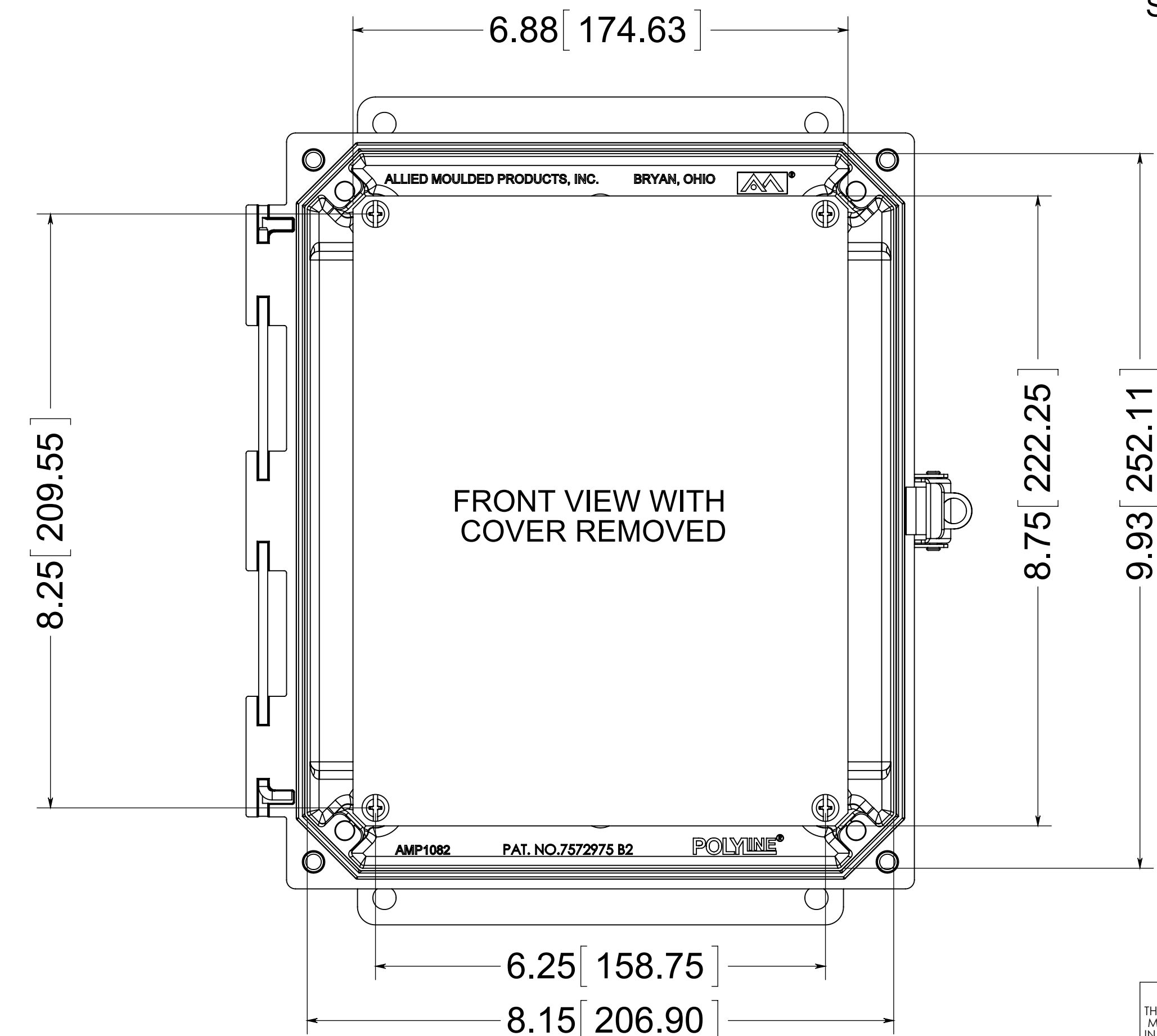
(2) POLYCARBONATE FLANGES (GLUED)

(4) EACH #10-32 BRASS INSERTS, AND 316 STAINLESS STEEL FLANGE AND FEET SCREWS



316 STAINLESS STEEL LOCKABLE SNAP LATCH LOCATED ON CENTER

(4) EACH #10-32 BRASS INSERTS AND PLATED CARBON STEEL TRUSS SCREWS



FRONT VIEW WITH COVER REMOVED

MATERIAL:  
BOX - INJECTED POLYCARBONATE  
STANDARD COVER - INJECTED POLYCARBONATE  
CLEAR COVER - INJECTED POLYCARBONATE

CONFIDENTIAL  
THIS MATERIAL IS OWNED BY THE ALLIED MOULDED PRODUCTS COMPANY, IS DISCLOSED IN CONFIDENCE, AND IS NOT TO BE REPRODUCED OR DISTRIBUTED WITHOUT PRIOR WRITTEN PERMISSION FROM ALLIED MOULDED PRODUCTS.

ALLIED MOULDED PRODUCTS, INC. BRYAN, OHIO  
The Original Fiber Glass Outlet Box

Description  
**AMP Polyline**  
Part No.  
**AMP1082LF**