

Pole Mount Kit

Pole Mount Kit Made For AM JIC,
AMP JIC, AMU JIC, and Control Series Enclosures

P/N AMPOLEMNT (6,8,10,12,14,16,20,24)

Allied Moulded's Pole Mount Kit offers the ability to mount enclosures including sizes 6" x 6" x 4" through 30" x 24" x 10" to any wood, plastic, or steel pole securely without excessive materials and labor.

Manufactured with the electrical contractor in mind, Allied Moulded's Pole Mount Kit provides an easy solution for all enclosures. Not only is it designed for round poles, but the pole mount kits have the capability to mount enclosures to square and rectangular pole shapes as well.

FEATURES & BENEFITS

- Nine sizes covering AM JIC, AMU JIC, AMP JIC, and Control Series enclosures
- Steel band design allows for adjustable mounting capability on pole sizes up through 15 inches in diameter
- Allied Moulded pole mount kits have the capability to mount enclosures to round, square, and rectangular pole shapes
- Fewer parts are used so minimal assembly is required for installation
- Pole mount kits offer corrosion protection for outdoor use



CONSTRUCTION

- Pole mount flange: galvanized steel; 14 gauge (.075 in.)
- Pole mount band clamps: 300 series stainless steel (48 in.)
- Flange fasteners (screws, washers, and lock nuts): 300 series stainless steel (#10-32)

CONTACT INFORMATION

Allied Moulded Products Inc.
222 North Union Street
Bryan, OH 43506 USA

Phone: 1-800-722-2679

Fax: 1-800-237-7269

Email: sales@alliedmoulded.com



**ALLIED
MOULDED
PRODUCTS, Inc.**



www.alliedmoulded.com

Pole Mount Kit

The Pole Mount Kit offers a unique solution with feature rich components to aid in hanging and mounting your enclosure on your specific application. Here are just a few of those features:



Pole mount brackets secured with wire and screw clamp



Pole mount kits fit a variety of enclosure sizes to fit your application

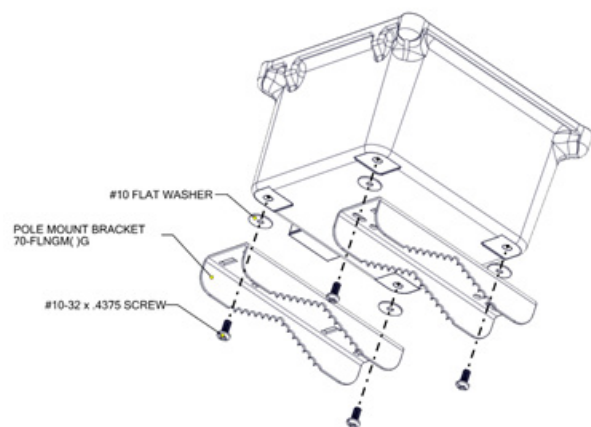
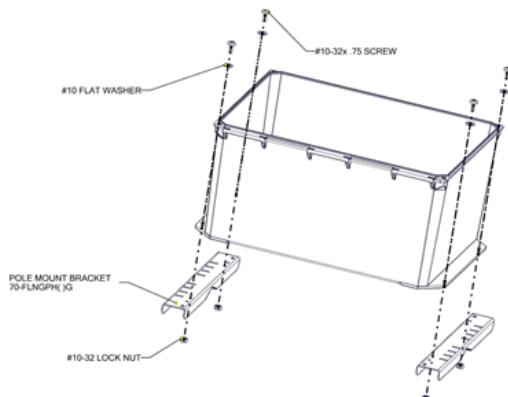


Pole mount brackets fit securely to round, square, or rectangular pole

ENCLOSURE POLE MOUNT KITS ARE USED WITH

Kit Number	AM Series Units ¹		AMU & AMP Flange Mount Units ²
	Standard Mount	Rotated 90 Degrees	Standard Mount
AMPOLEMNT6	AM664, AM864	None	AMU(P)664, AMU(P)864
AMPOLEMNT8	AM1084, AM1086	AM864	AMP884, AMP1082, AMU(P)1084
AMPOLEMNT10	AM1206	AM1084, AM1086	AMP1204, AMU(P)1206
AMPOLEMNT12	AM1426	AM1206	AMU(P)1426
AMPOLEMNT14	AM1648	AM1426	AMU1648
AMPOLEMNT16	AM1868, AM2068	AM1648	AMU1860, AMHD1860, AMU2060
AMPOLEMNT20	AM2420	None	None
AMPOLEMNT24	AM2424, AM3024	AM2420	None

- 1. Pole mount brackets are directly mounted to the back of these enclosures*
- 2. Enclosure flange is bolted through and attached to the pole mount bracket on these enclosures*



**ALLIED
MOULDED
PRODUCTS, Inc.**



www.alliedmoulded.com