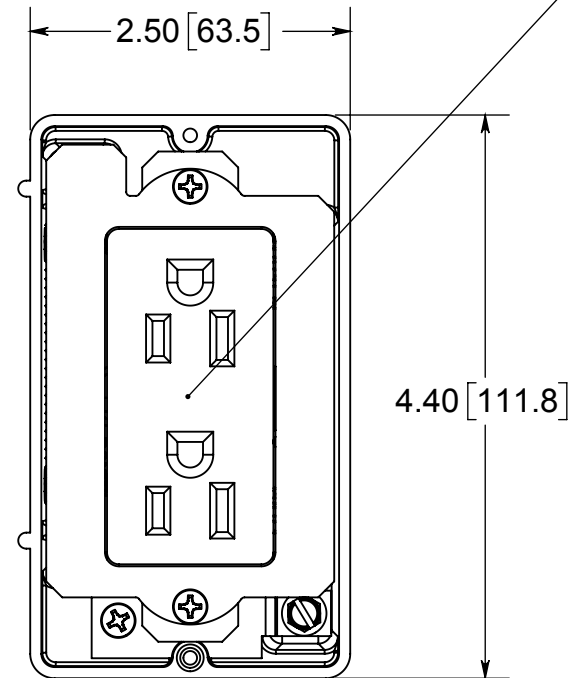
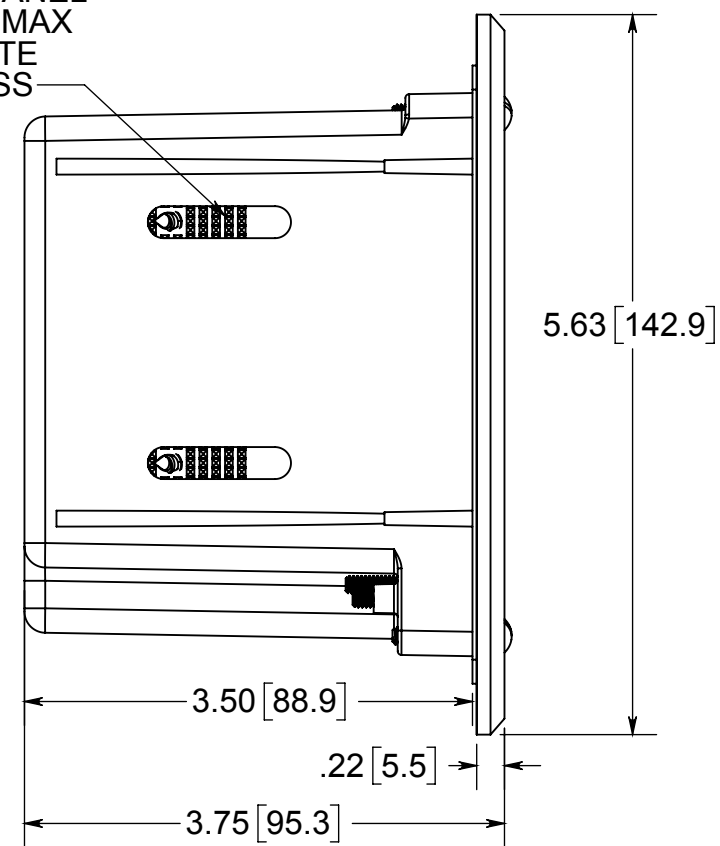
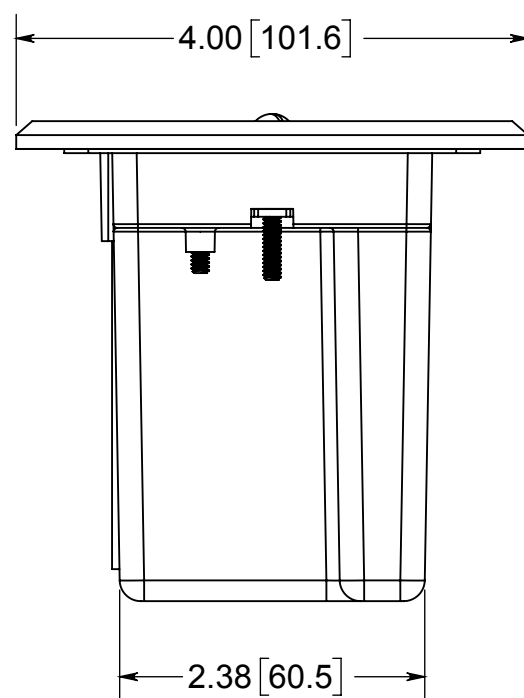
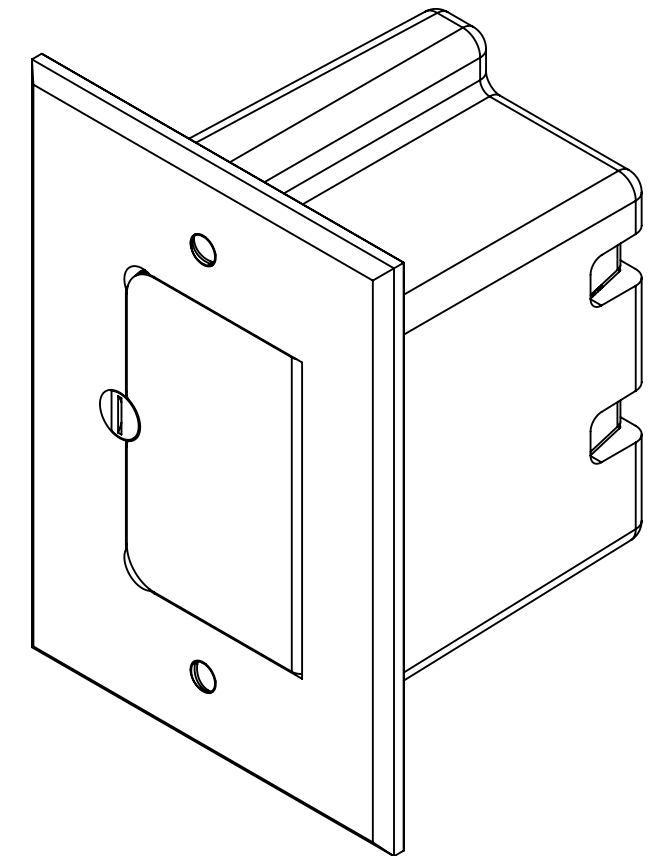


SLIDERBOX® FLOOR BOX

ADJUSTABLE MOUNTING PANEL
1 9/16" [39.7] MAX
SUBSTRATE
THICKNESS

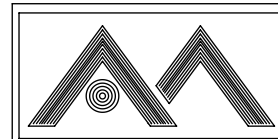


STANDARD
DECORATIVE STYLE
DEVICE
15 AMP, 125V
TAMPER RESISTANT



NOTES:

- 1.) BOX MATERIAL: POLYCARBONATE, BOX PLATE MATERIAL: POLYCARBONATE, PLATE MATERIAL: DARK BRONZE PLATED BRASS, COVER PLATE MOUNTING SCREW MATERIALS: DARK BRONZE PLATED BRASS, DEVICE MOUNTING SCREW MATERIALS: ZINC PLATED STEEL, FLANGE MOUNTING SCREW MATERIALS: BLACK PHOSPHATE COATED STEEL WING MATERIAL: ZINC PLATED STEEL, GROUND WING MATERIAL: ZINC PLATED STEEL, GASKET MATERIALS: POLYURETHANE FOAM
- 2.) UL LISTED, FLOOR BOX MEETS UL514C SCRUB WATER EXCLUSION TEST



ALLIED MOULDED PRODUCTS
BRYAN, OHIO

The Original Fiber Glass Outlet Box

PRODUCT SERIES

SLIDERBOX FLIP LID FLOOR BOX, DARK BRONZE

Part No.

SBFB-1DB

CONFIDENTIAL
THIS MATERIAL IS OWNED BY THE ALLIED MOULDED PRODUCTS COMPANY, IS DISCLOSED IN CONFIDENCE, AND IS NOT TO BE REPRODUCED OR DISTRIBUTED WITHOUT PRIOR WRITTEN PERMISSION FROM ALLIED MOULDED PRODUCTS.