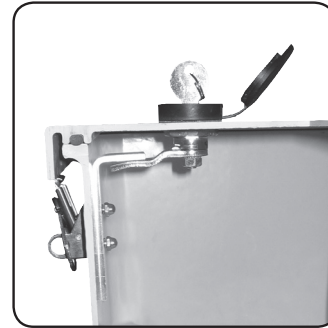


Enclosure Keylock Kits

PART NO.: AMKEYLOCKFC, AMKEYLOCKRC, and AMKEYLOCKRCHFP

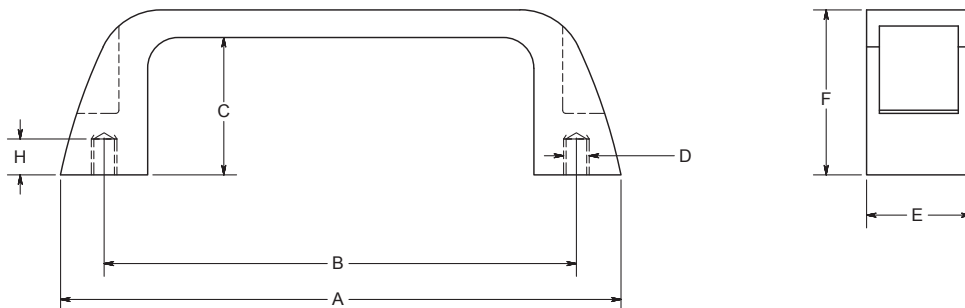
- AMKEYLOCKFC keylock assembly kit for (F)flat (C)cover enclosures 6x6 through 20x16 (AM Series)
- AMKEYLOCKRC keylock assembly kit for (R)raised (C)cover enclosures 6x6 through 30x24 (AM-R Series)
- AMKEYLOCKRCHFP keylock assembly kit for (R)raised (C)cover enclosures with a (H)hinge (F)front (P)panel installed in enclosures 10x8 through 30x24 (AM-R Series)
- Kits include: Two keys, keylock assembly, cam, dust cover, lock bracket, and hardware
- Field installable while requiring only a round hole to be cut into the cover
- Keylocks are sold with a self locking nut for tight and secure assembly
- Just a 1/4 turn rotation is required to lock the enclosure cover
- Installed keylock assemblies have been tested and pass the NEMA 4X watertight test
- Manufactured components are RoHS compliant (Restriction of Hazardous Substances)



Pull Type Handle

PART NO.: AMHDL001

- Handle: Glass fiber reinforced nylon
- Finish: Black matte
- Screws and lock washers included



Part No.	A	B	C	D	E	F	H
AMHDL001	5.47	4.61	1.34	1/4 - 20	1.02	1.61	0.35
	139mm	117mm	34mm	---	26mm	41mm	9mm