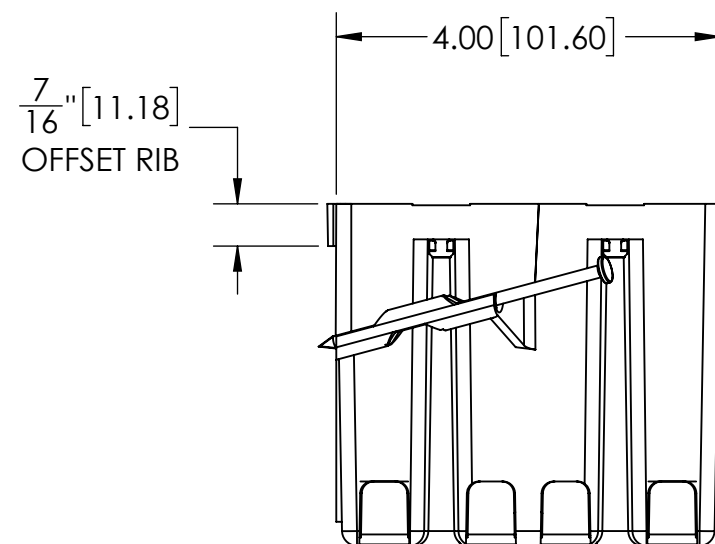
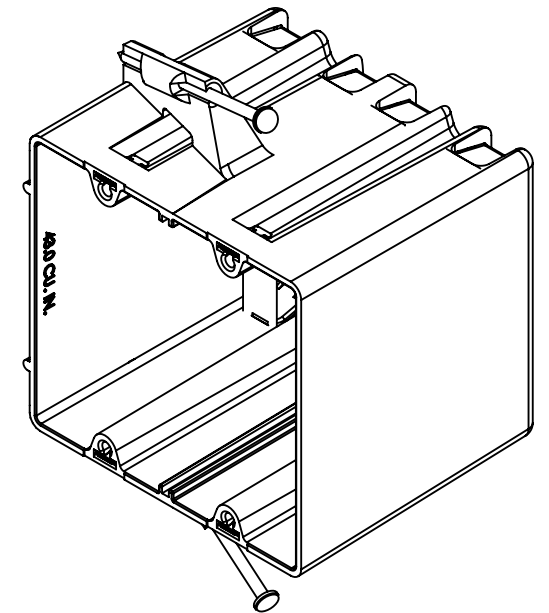
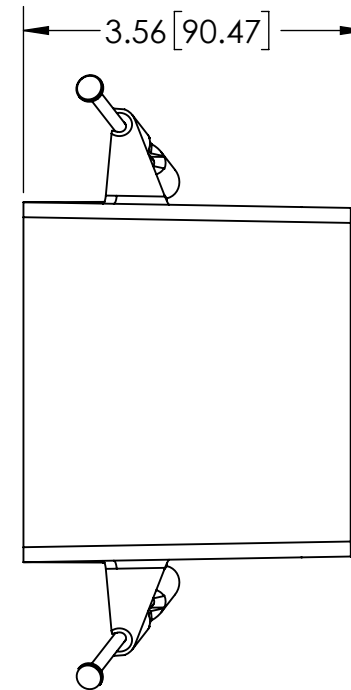
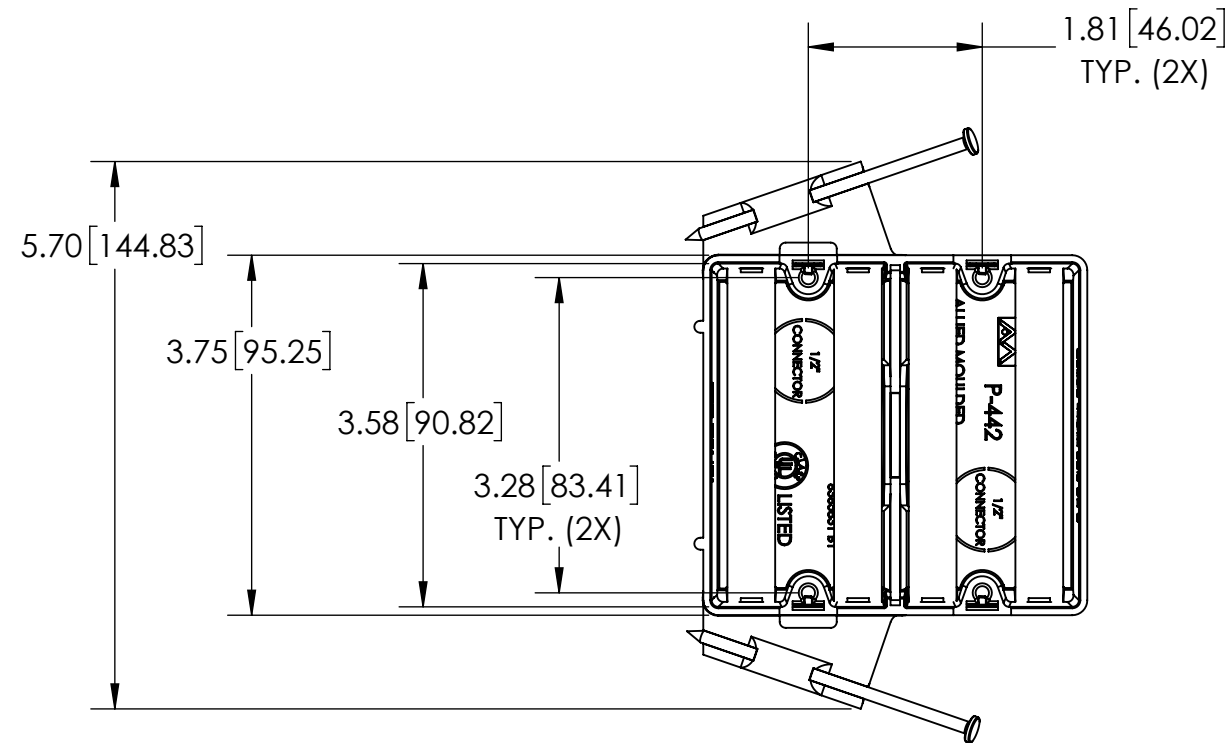


AlexBOX[®]

ISSUE DATE: 12/19/2016



NOTES:

- 1.) BOX MATERIAL: POLYCARBONATE, NAIL MATERIAL: PLATED CARBON STEEL, QUICK THREAD MATERIAL: GALVANIZED STEEL.
- 2.) UL LISTED WITH 2 HOUR FIRE RATING FOR WALL
- 3.) ACCEPTS LVP-2 LOW VOLTAGE PARTITION
- 4.) DATA SUBJECT TO CHANGE WITHOUT NOTICE



ALLIED MOULDED PRODUCTS
BRYAN, OHIO

The Original Fiber Glass Outlet Box

PRODUCT SERIES

2 GANG 43.0 CU. IN.

Part No.

P-442QT

CONFIDENTIAL

THIS MATERIAL IS OWNED BY THE ALLIED MOULDED PRODUCTS COMPANY, IS DISCLOSED IN CONFIDENCE, AND IS NOT TO BE REPRODUCED OR DISTRIBUTED WITHOUT PRIOR WRITTEN PERMISSION FROM ALLIED MOULDED PRODUCTS.