

Solar Battery Box

AMHD-R Heavy Duty Solar Battery Box: Snap Latch Hinged Cover

P/N AMHD1860RLF

AMHD-R heavy duty solar battery boxes are designed to insulate and house solar storage batteries in the growing solar market. The solar battery box offers the same standard features as our current line of electrical enclosures including a snap latch hinged cover made from 316 series stainless steel and a formed-in-place polyurethane gasket system, protecting from outside elements such as dirt, dust, oil and water.

Molded from ULTRAGUARD® fiberglass reinforced polyester material, the solar battery box is sized at 18"x16"x11.75" (the additional height is for the raised cover), and features a strong and rigid design. The enclosure is well-suited for outdoor applications, and is made to resist high temperatures and corrosive environments.



APPLICATION

- Ideal design to insulate and house solar storage batteries for various telemetry applications in outdoor locations. Will support two 75 lb. batteries
- Especially well suited for high temperature or corrosive environments
- Protects from UV, dirt, dust, oil and water

STANDARDS

- UL 50 and UL 50E Types 1, 2, 3, 3R, 4, 4X, 12 and 13
- CSA C22.2 No. 94 Types 1, 2, 3, 3R, 4, 4X, 12 and 13
- Complies with
 - NEMA Types 1, 2, 3, 3R, 4, 4X, 12 and 13
 - IEC 60529 Type IP66
 - RoHS directive

CONSTRUCTION

- Strong, molded ULTRAGUARD® fiberglass reinforced polyester material construction with matching raised cover
- 316 series stainless steel snap latches feature padlock hasp
- Continuous 316 series stainless steel hinge
- Formed-In-Place (FIP) Polyurethane gasket in continuous channel
- Polycarbonate flanges installed with (4) 316 series stainless steel screws
- #10-32 threaded inserts are installed for optional back panel. **Note:** HFP186 hinged front panel will not work in this enclosure
- ULTRAGUARD® fiberglass material is easily punched, drilled or sawed
- UV stabilized for outdoor use

ACCESSORIES

- Optional back panel kits
 - Galvaneel (PG186)
 - Aluminum (PA186)
 - Fiberglass (PF186)
 - Steel / Painted white (P186)
- ULTRAPLUG® hole plug assemblies
 - Many sizes available
- Optional pole mount kit
 - P/N AMPOLEMNT16

MODIFICATIONS

- Custom holes and cutouts, along with polycarbonate viewing windows are available. Contact factory for additional modification options.

CONTACT INFORMATION

Allied Moulded Products Inc.
222 North Union Street
Bryan, OH 43506 USA

Phone: 1-800-722-2679

Fax: 1-800-237-7269

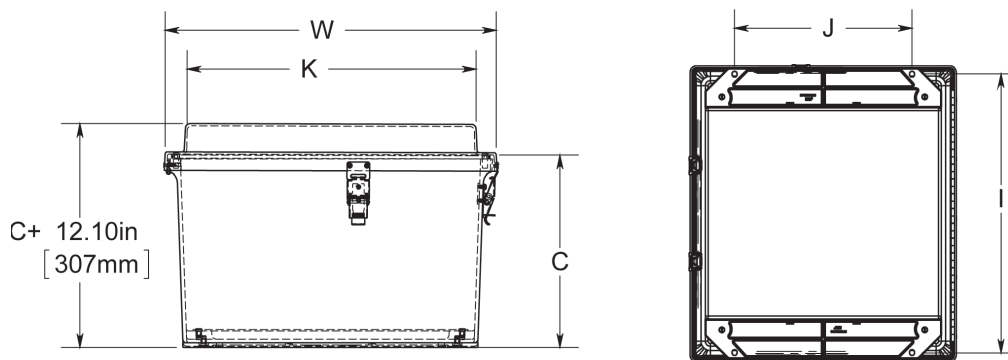
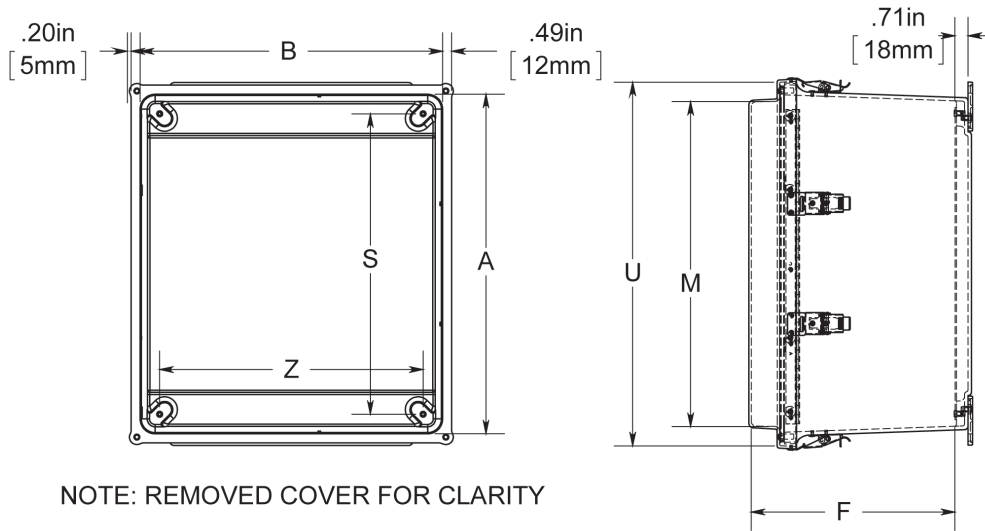
Email: sales@alliedmoulded.com

Scan to learn more
about Allied Moulded!

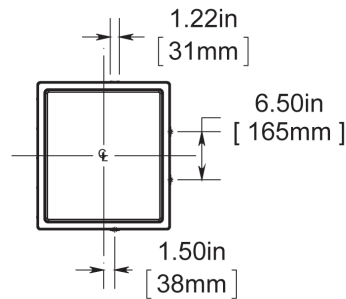


**ALLIED
MOULDED
PRODUCTS, Inc.**

www.alliedmoulded.com



LATCH LOCATIONS



Part No.	Box Size			Usable Depth F	Panel Boss Centers		Panel Sizes		Flange Mount Centers		Cover Size			
	A	B	C		S	Z	Height	Width	J	I	K	M	U	W
AMHD1860RLF	18.24 463mm	16.24 412mm	10.13 257mm	11.01 280mm	16.25 413mm	14.25 362mm	16.88 429mm	14.88 378mm	12.00 305mm	18.88, 18.76 480mm, 477mm	15.22 387mm	17.72 450mm	19.91 506mm	17.91 455mm

All dimensions are in inches unless otherwise noted.



**ALLIED
MOULDED
PRODUCTS, Inc.**



www.alliedmoulded.com