

ENCLOSURE POLE MOUNT KIT

Installation Instructions

AMPOLEMNT6
AMPOLEMNT8
AMPOLEMNT10
AMPOLEMNT12
AMPOLEMNT14
AMPOLEMNT16
AMPOLEMNT20
AMPOLEMNT24



| Part Number | AM Series Units | AMU Series Units |
|-------------|------------------------|------------------|
| AMPOLEMNT6 | AM664, AM864 | AMU664, AMU864 |
| AMPOLEMNT8 | AM864, AM1084, AM1086 | AMU1084 |
| AMPOLEMNT10 | AM1084, AM1086, AM1206 | AMU1206 |
| AMPOLEMNT12 | AM1206, AM1426 | AMU1426 |
| AMPOLEMNT14 | AM1426, AM1648 | AMU1648 |
| AMPOLEMNT16 | AM1648, AM1868, AM2068 | AMU1860, AMU2060 |
| AMPOLEMNT20 | AM2420 | None |
| AMPOLEMNT24 | AM2420, AM2424, AM3024 | None |



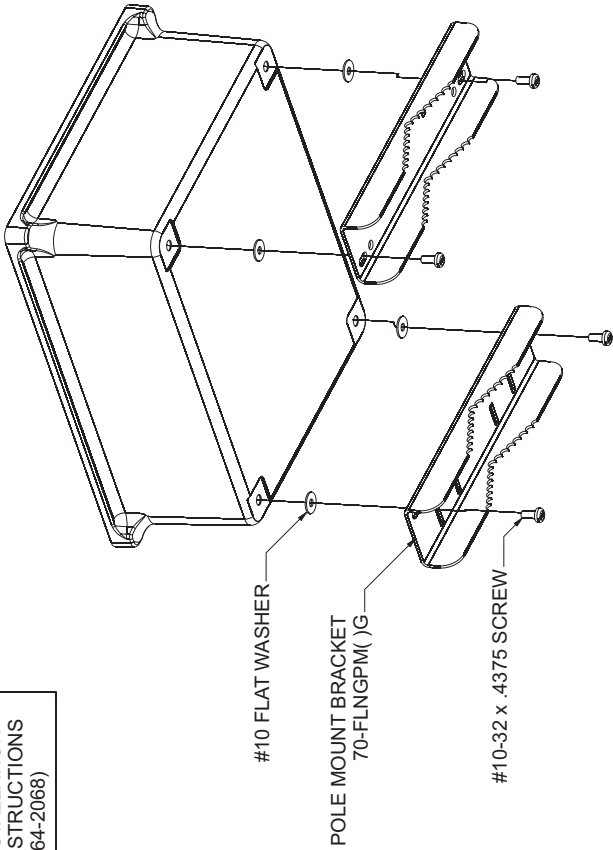
**ALLIED
MOULDED
PRODUCTS, Inc.**

222 N. Union St.
Bryan, OH 43506

PH: 419-636-4217 • FAX: 800-237-7269

www.alliedmoulded.com

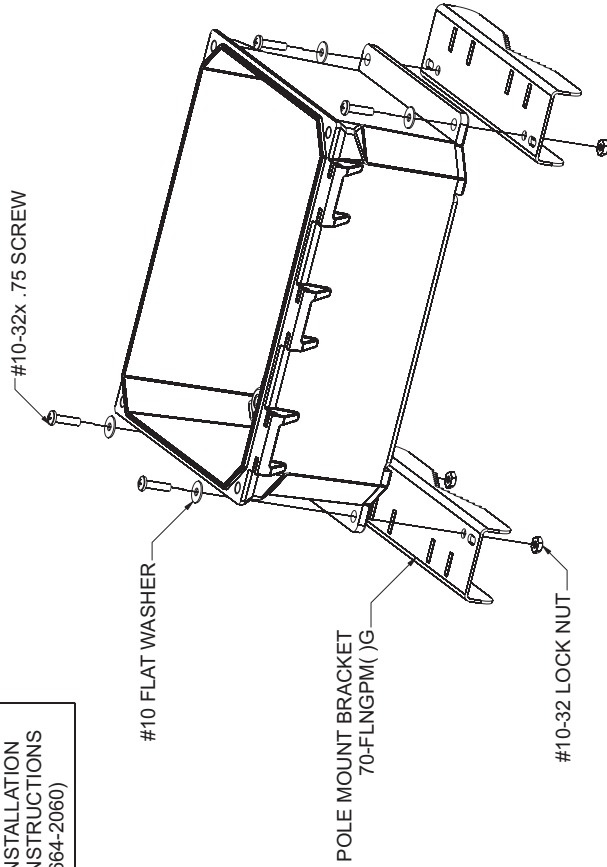
AM SERIES
INSTALLATION
INSTRUCTIONS
(664-2068)



#10 FLAT WASHER
POLE MOUNT BRACKET
70-FLNGPM () G
#10-32 x .4375 SCREW

- 1.) ATTACH POLE MOUNT BRACKET TO ENCLOSURE WITH PROVIDED HARDWARE.
- 2.) THEN ATTACH ENCLOSURE TO POLE WITH METAL CLAMPS.

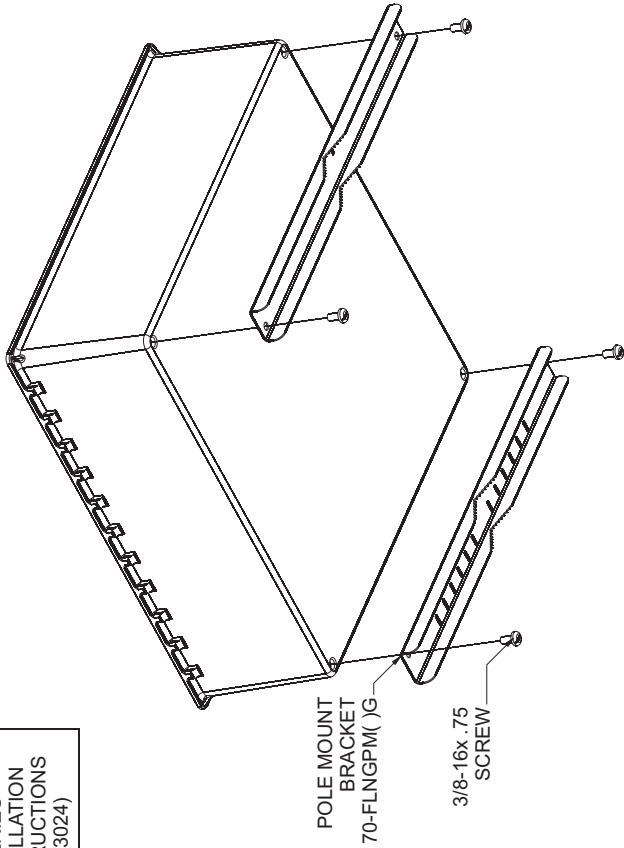
AMU SERIES
INSTALLATION
INSTRUCTIONS
(664-2060)



#10-32x .75 SCREW
#10 FLAT WASHER
POLE MOUNT BRACKET
70-FLNGPM () G
#10-32 LOCK NUT

- 1.) ATTACH POLE MOUNT BRACKET TO ENCLOSURE WITH PROVIDED HARDWARE.
- 2.) THEN ATTACH ENCLOSURE TO POLE WITH METAL CLAMPS.

AM SERIES
INSTALLATION
INSTRUCTIONS
(2420-3024)



POLE MOUNT
BRACKET
70-FLNGPM () G
3/8-16x .75
SCREW

- 1.) ATTACH POLE MOUNT BRACKET TO ENCLOSURE WITH PROVIDED HARDWARE.
- 2.) THEN ATTACH ENCLOSURE TO POLE WITH METAL CLAMPS.

COMPONENTS BY POLE MOUNT KIT

| | |
|--|---|
| AMPOLEMNT6 #10-32x.4375 SCREW(4) [AM USE ONLY] 70-FLNGPM6G (2) #10 FLAT WASHER (4) #10-32x .75 SCREW(4) [AMU USE ONLY] #10-32 LOCK NUT (4)[AMU USE ONLY] Z490-111-482(1) | AMPOLEMNT14 #10-32x.4375 SCREW (4) 70-FLNGPM14G (2) #10 FLAT WASHER (4) #10-32x .75 SCREW(4) [AMU USE ONLY] #10-32 LOCK NUT (4)[AMU USE ONLY] Z490-111-482(1) |
| AMPOLEMNT8 #10-32x.4375 SCREW (4) 70-FLNGPM8G (2) #10 FLAT WASHER (4) #10-32x .75 SCREW(4) [AMU USE ONLY] #10-32 LOCK NUT (4)[AMU USE ONLY] Z490-111-482(1) | AMPOLEMNT16 #10-32x.4375 SCREW (4) 70-FLNGPM16G (2) #10 FLAT WASHER (4) #10-32x .75 SCREW(4) [AMU USE ONLY] #10-32 LOCK NUT (4)[AMU USE ONLY] Z490-111-482(1) |
| AMPOLEMNT10 #10-32x.4375 SCREW (4) 70-FLNGPM10G (2) #10 FLAT WASHER (4) #10-32x .75 SCREW(4) [AMU USE ONLY] #10-32 LOCK NUT (4)[AMU USE ONLY] Z490-111-482(1) | AMPOLEMNT20 3/8-16x.75 SCREW (4) 70-FLNGPM20G (2) Z490-111-482(1) |
| AMPOLEMNT12 #10-32x.4375 SCREW (4) 70-FLNGPM12G (2) #10 FLAT WASHER (4) #10-32x .75 SCREW(4) [AMU USE ONLY] #10-32 LOCK NUT (4)[AMU USE ONLY] Z490-111-482(1) | AMPOLEMNT24 3/8-16x.75 SCREW (4) 70-FLNGPM24G (2) Z490-111-482(1) |