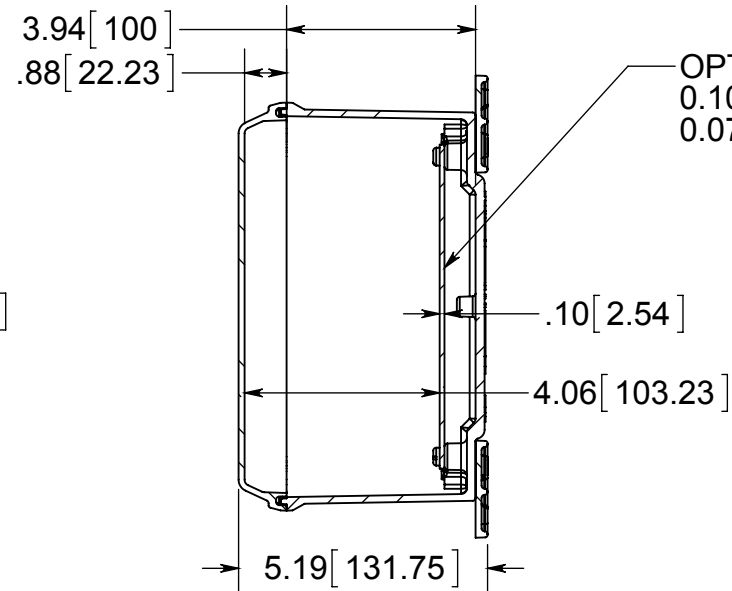
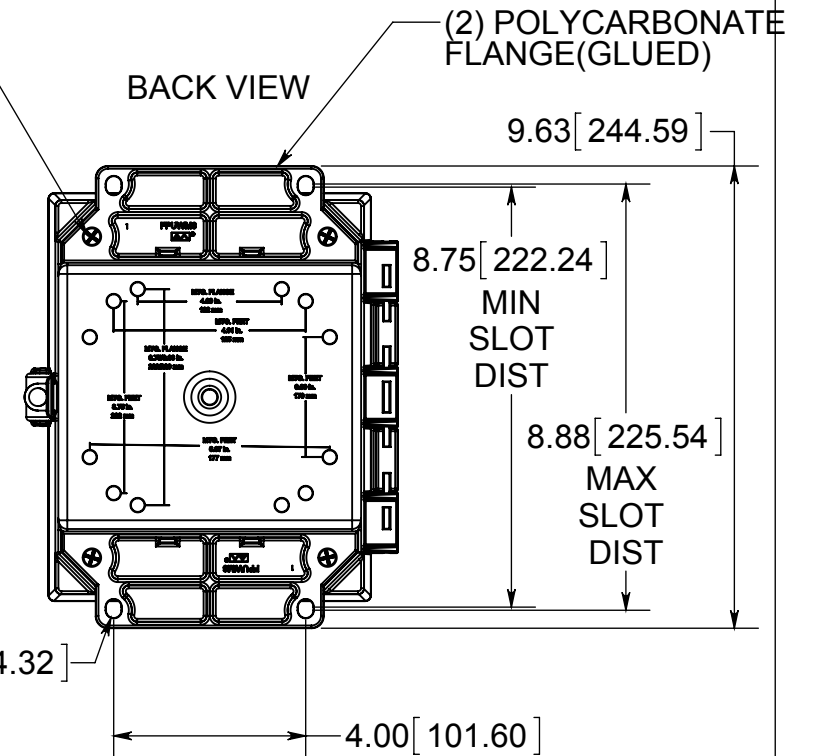


STAINLESS STEEL HINGE PIN



OPTIONAL BACK PANEL SHOWN  
0.100 [2.54mm] TH'K- ALUMINUM  
0.075 [1.91mm] TH'K- WHITE STEEL

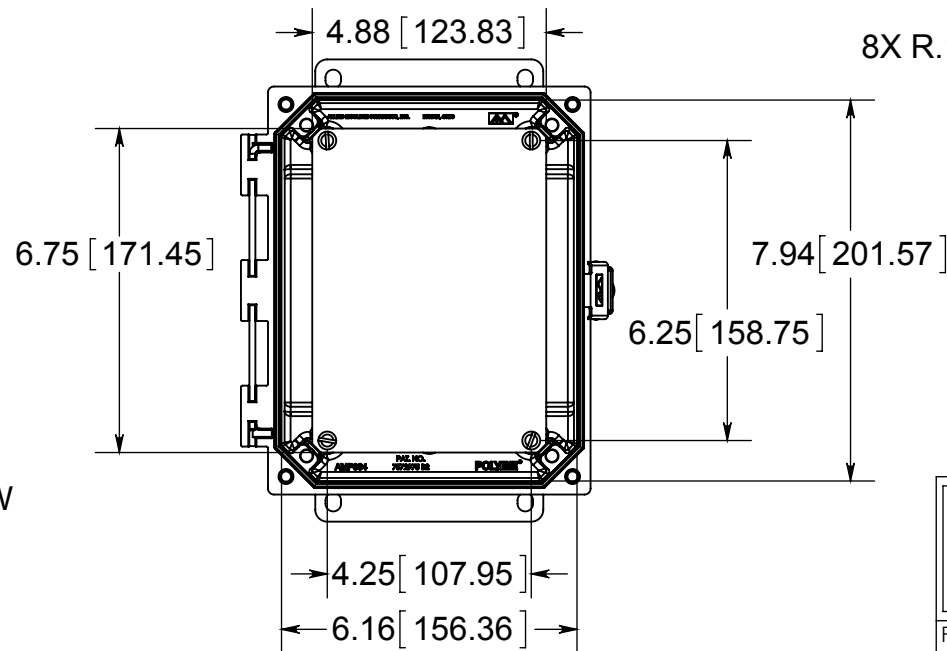
(4) EACH #10-32 BRASS INSERTS, AND STAINLESS STEEL FLANGE AND FEET SCREWS



BACK VIEW

(2) POLYCARBONATE FLANGE (GLUED)

FRONT VIEW WITH COVER REMOVED AND BACK PANEL DISPLAYED



CLOSED CELL NEOPRENE GASKET

.14 [3.68]

STAINLESS STEEL LOCKABLE SNAP LATCH LOCATED ON CENTER

(4) EACH #10-32 BRASS INSERTS AND PLATED CARBON STEEL TRUSS SCREW

MATERIAL:  
BOX- INJECTED POLYCARBONATE  
STANDARD COVER- INJECTED POLYCARBONATE  
CLEAR COVER - INJECTED POLYCARBONATE

**CONFIDENTIAL**  
THIS MATERIAL IS OWNED BY THE ALLIED MOULDED PRODUCTS COMPANY, IS DISCLOSED IN CONFIDENCE, AND IS NOT TO BE REPRODUCED OR DISTRIBUTED WITHOUT PRIOR WRITTEN PERMISSION FROM ALLIED MOULDED PRODUCTS.

 **ALLIED MOULDED PRODUCTS**  
BRYAN, OHIO  
The Original Fiber Glass Outlet Box

PRODUCT SERIES  
**AMP Polyline**  
Part No.  
**AMP864CCLF**