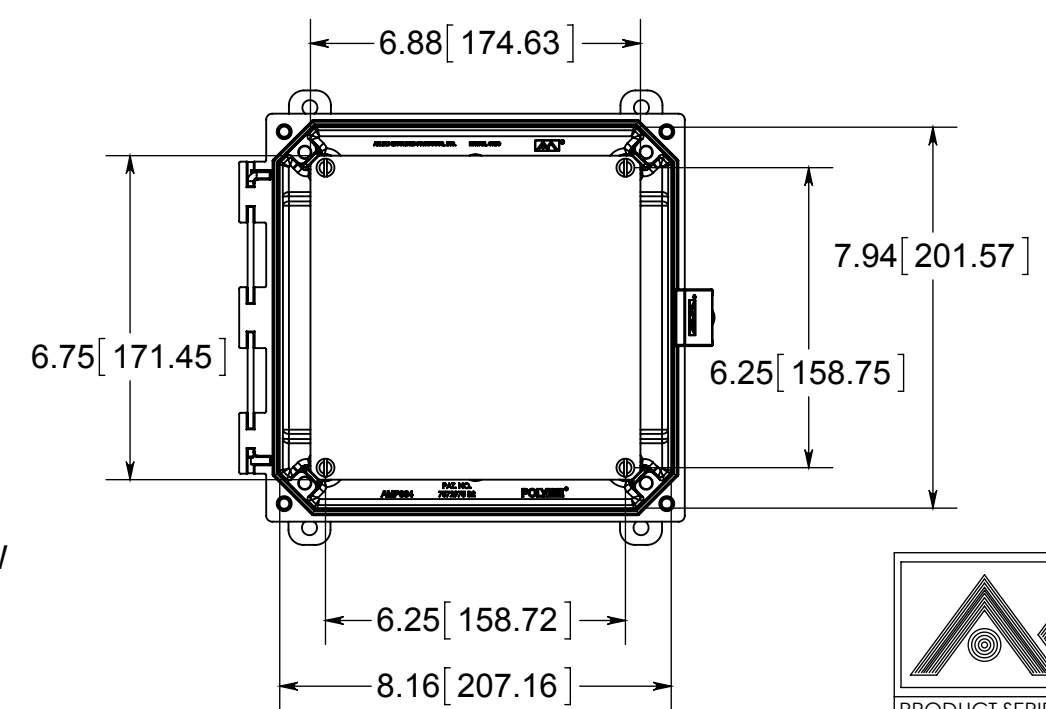
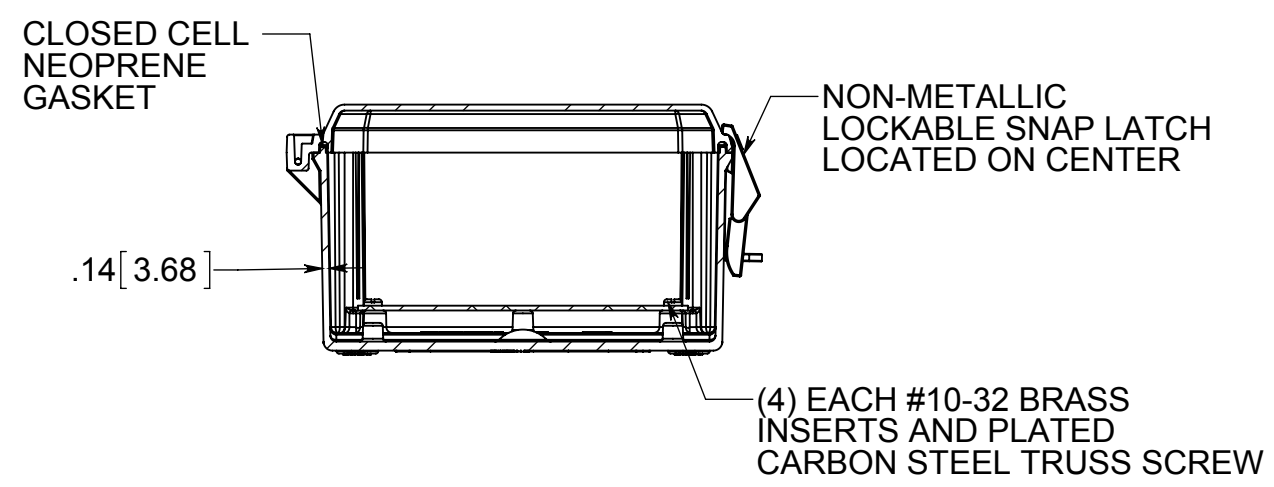


FRONT VIEW WITH COVER REMOVED AND BACK PANEL DISPLAYED



MATERIAL:  
BOX - INJECTED POLYCARBONATE  
STANDARD COVER - INJECTED POLYCARBONATE  
CLEAR COVER - INJECTED POLYCARBONATE

**CONFIDENTIAL**  
THIS MATERIAL IS OWNED BY THE ALLIED MOULDED PRODUCTS COMPANY, IS DISCLOSED IN CONFIDENCE, AND IS NOT TO BE REPRODUCED OR DISTRIBUTED WITHOUT PRIOR WRITTEN PERMISSION FROM ALLIED MOULDED PRODUCTS.

ALLIED MOULDED PRODUCTS  
BRYAN, OHIO  
The Original Fiber Glass Outlet Box

PRODUCT SERIES

AMP Polyline

Part No.

- AMP884CCNL