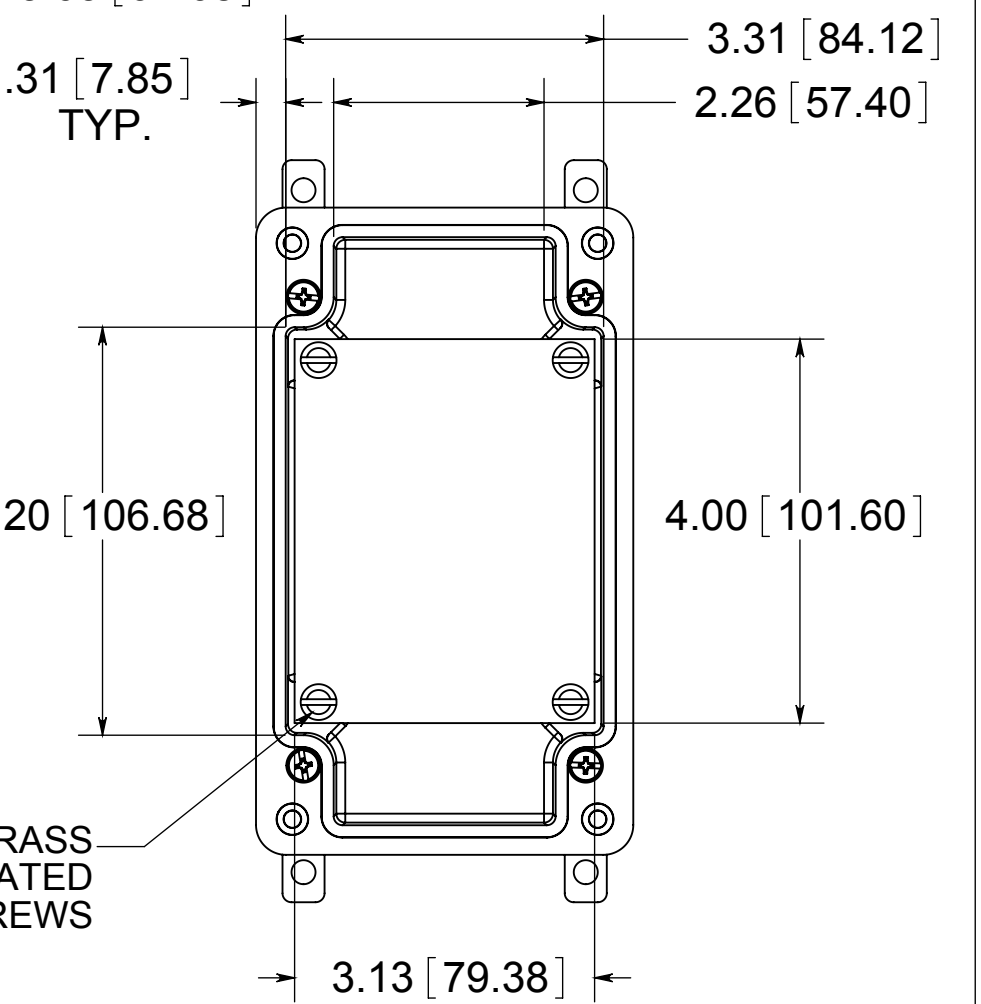
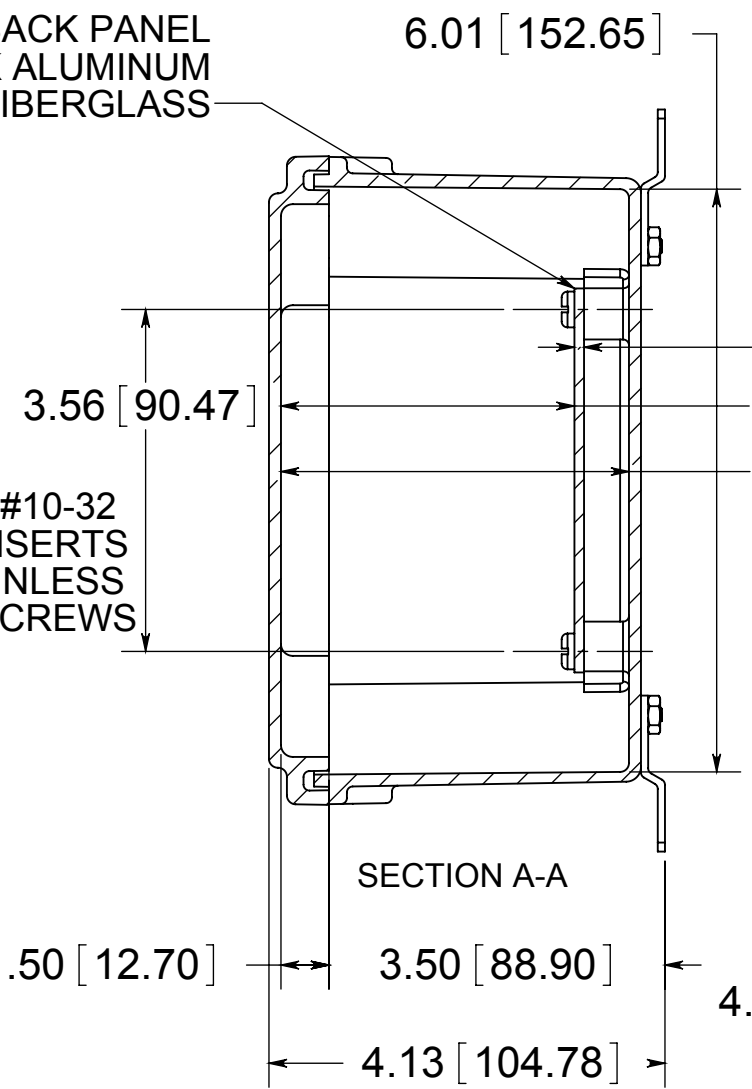
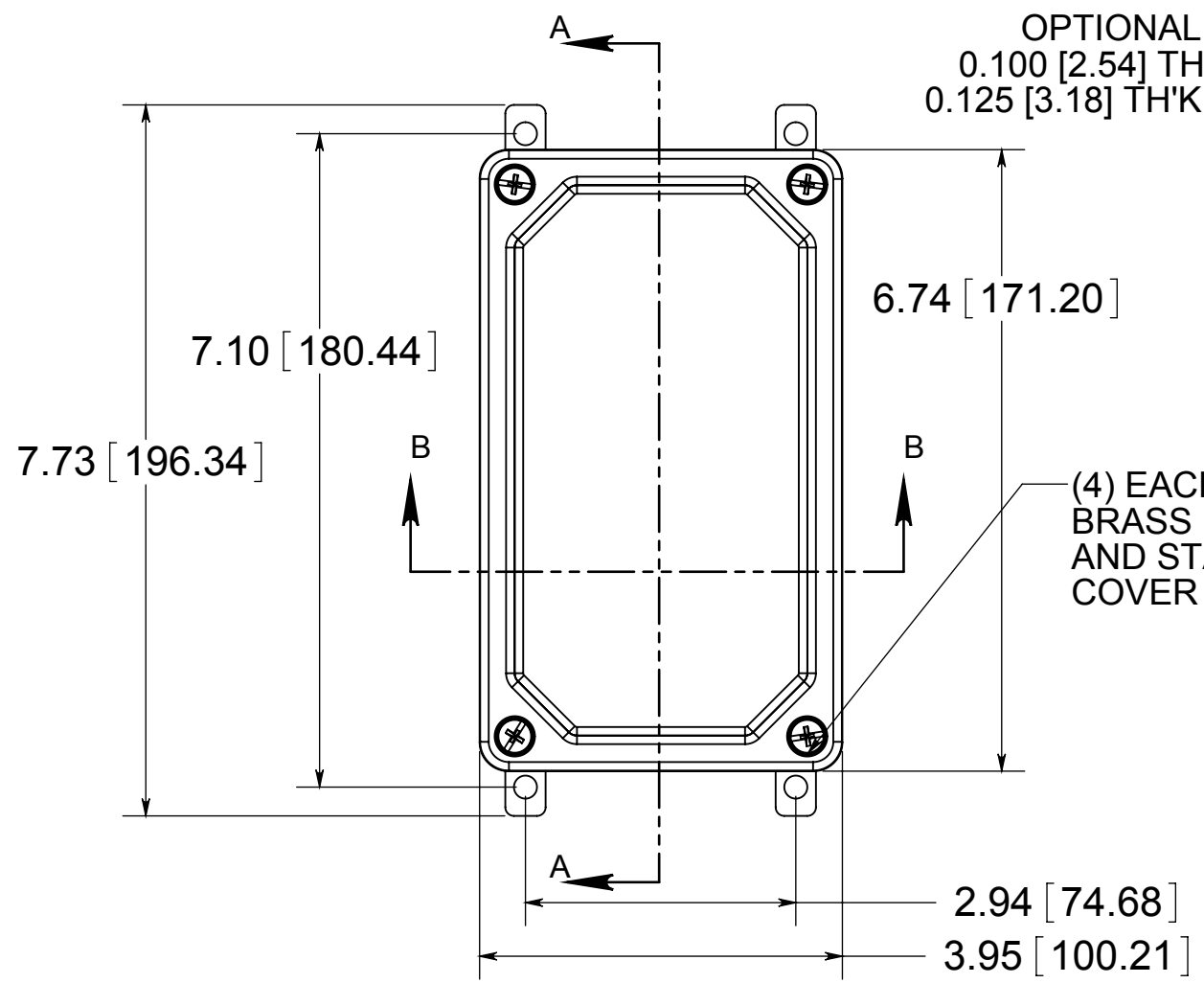


OPTIONAL BACK PANEL  
 0.100 [2.54] TH'K ALUMINUM  
 0.125 [3.18] TH'K FIBERGLASS

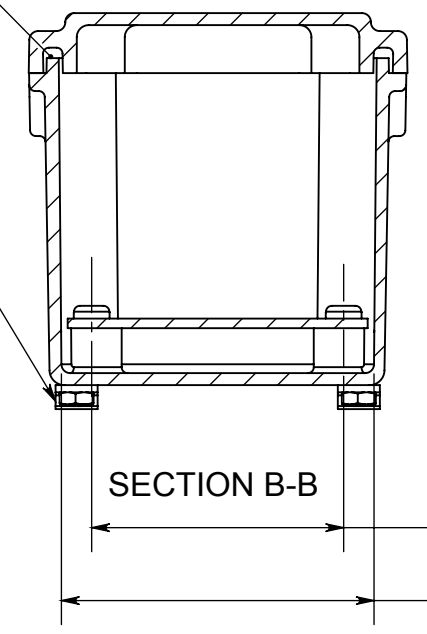


(4) EACH #10-32  
 BRASS INSERTS  
 AND STAINLESS  
 COVER SCREWS

(4) EACH #10-32 BRASS  
 INSERTS AND PLATED  
 CARBON STEEL SCREWS

CLOSED CELL  
 NEOPRENE  
 GASKET

(4) STAINLESS STEEL  
 MOUNTING FEET



ALLIED MOULDED PRODUCTS  
 BRYAN, OHIO

The Original Fiber Glass Outlet Box

PRODUCT SERIES

AM743

Part No.

AM743

**CONFIDENTIAL**  
 THIS MATERIAL IS OWNED BY THE ALLIED MOULDED  
 PRODUCTS COMPANY, IS DISCLOSED IN CONFIDENCE,  
 AND IS NOT TO BE REPRODUCED OR DISTRIBUTED  
 WITHOUT PRIOR WRITTEN PERMISSION FROM  
 ALLIED MOULDED PRODUCTS.