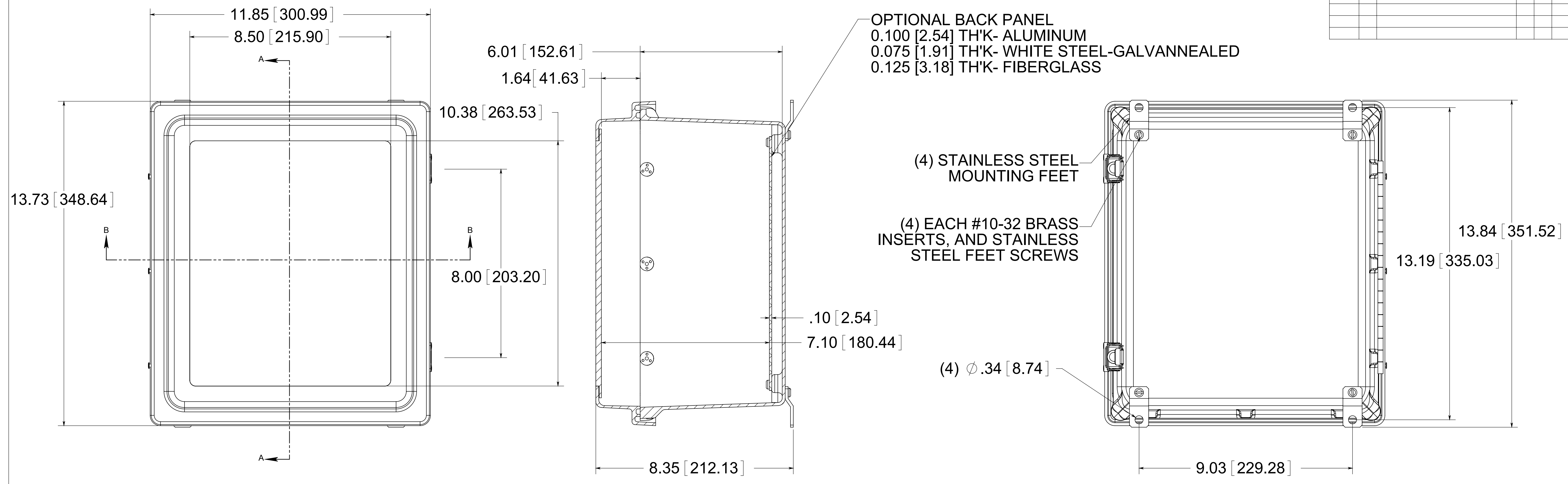
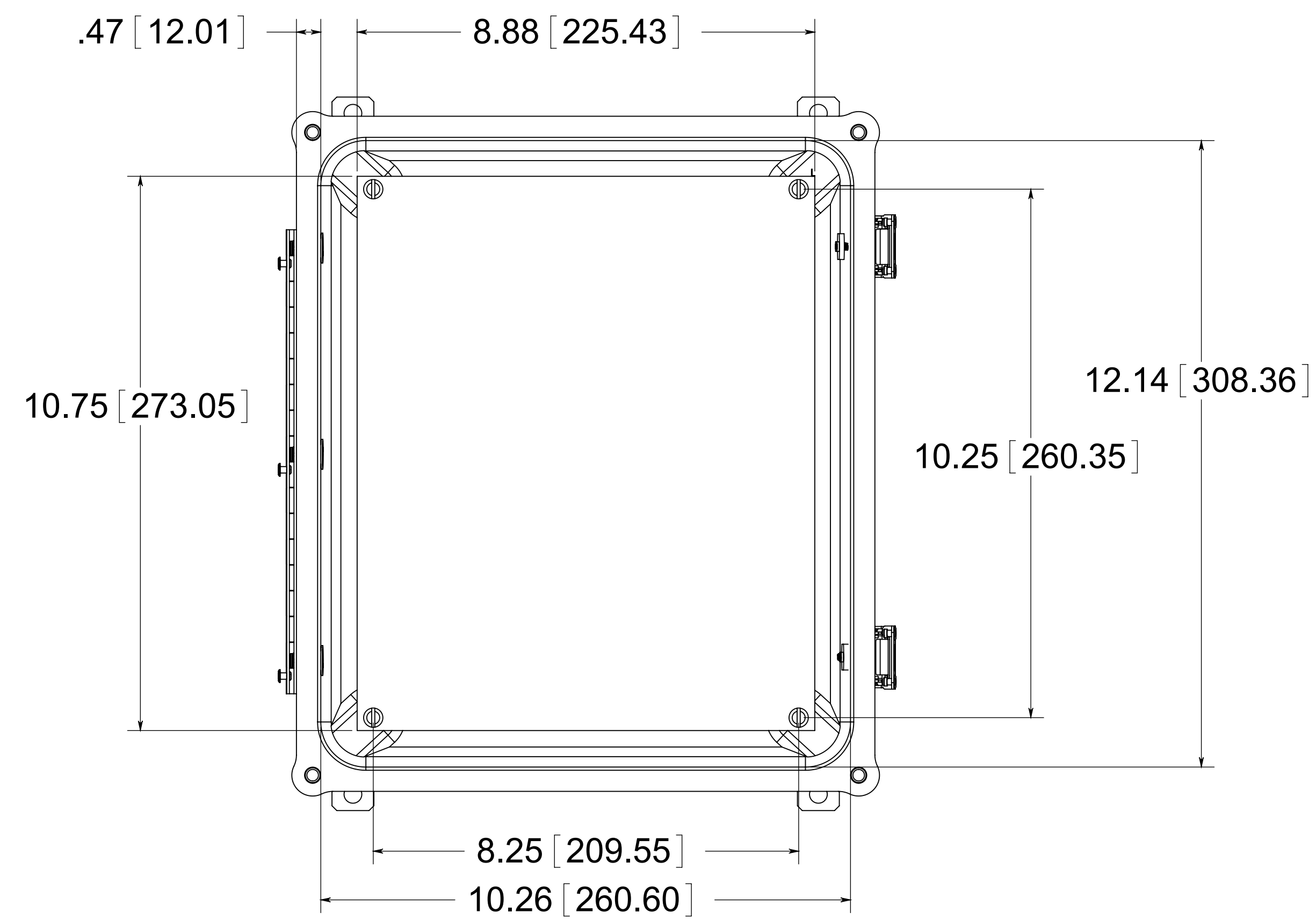
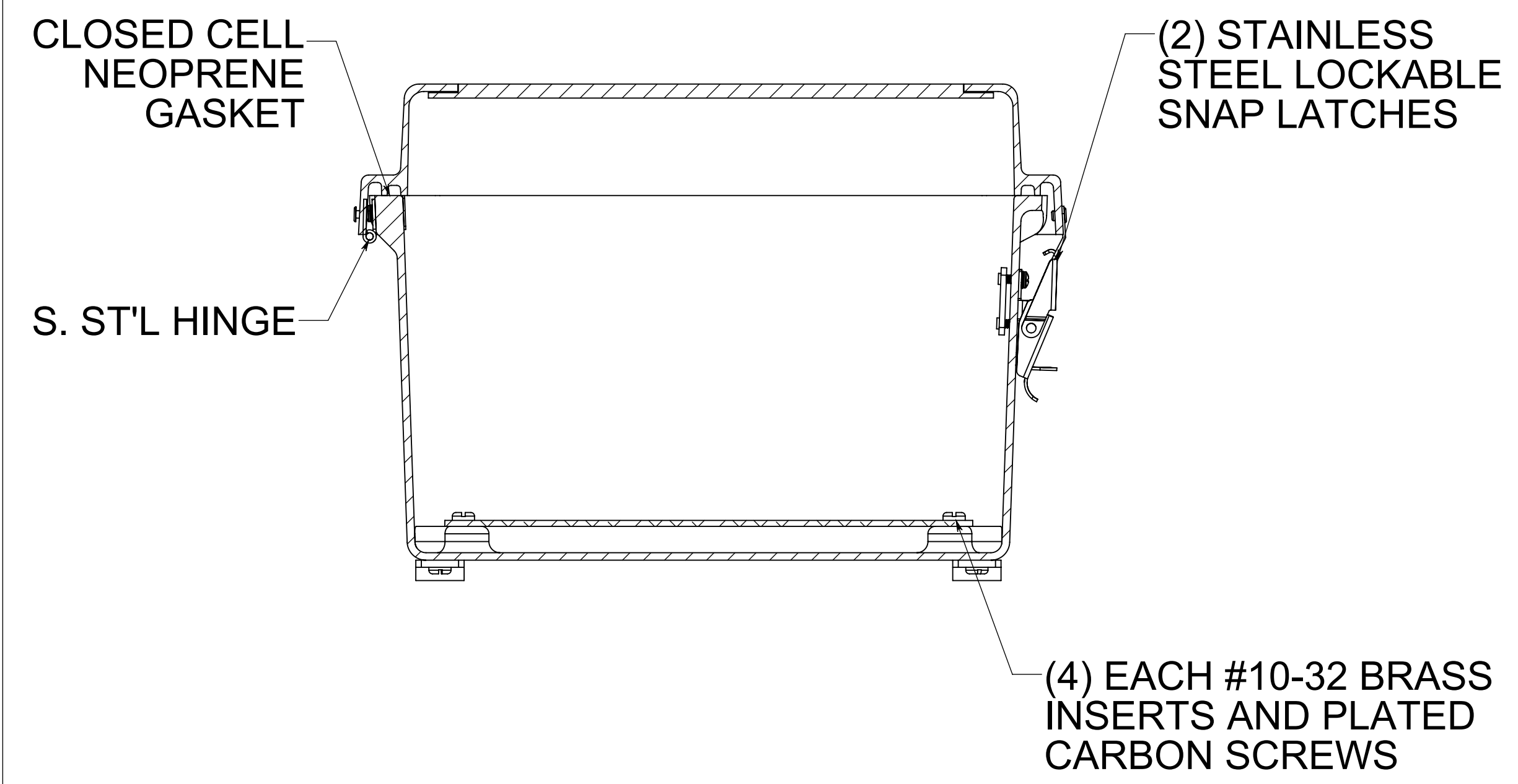


DATE	SYM.	DESCRIPTION	DR	CK	REL



FRONT VIEW WITH COVER REMOVED AND BACK PANEL SHOWN

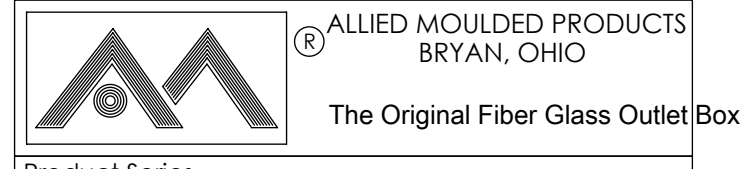
BACK VIEW



MATERIAL

BOX- COMPRESSION MOLDED FIBERGLASS REINFORCED POLYESTER
COVER- COMPRESSION MOLDED FIBERGLASS REINFORCED POLYESTER
WINDOWS- POLYCARBONATE

CONFIDENTIAL
THIS MATERIAL IS OWNED BY THE ALLIED MOULDED PRODUCTS COMPANY, IS DISCLOSED IN CONFIDENCE, AND IS NOT TO BE REPRODUCED OR DISTRIBUTED WITHOUT PRIOR WRITTEN PERMISSION FROM ALLIED MOULDED PRODUCTS.



Product Series
AM-JIC
Part No.
AM1206RLW