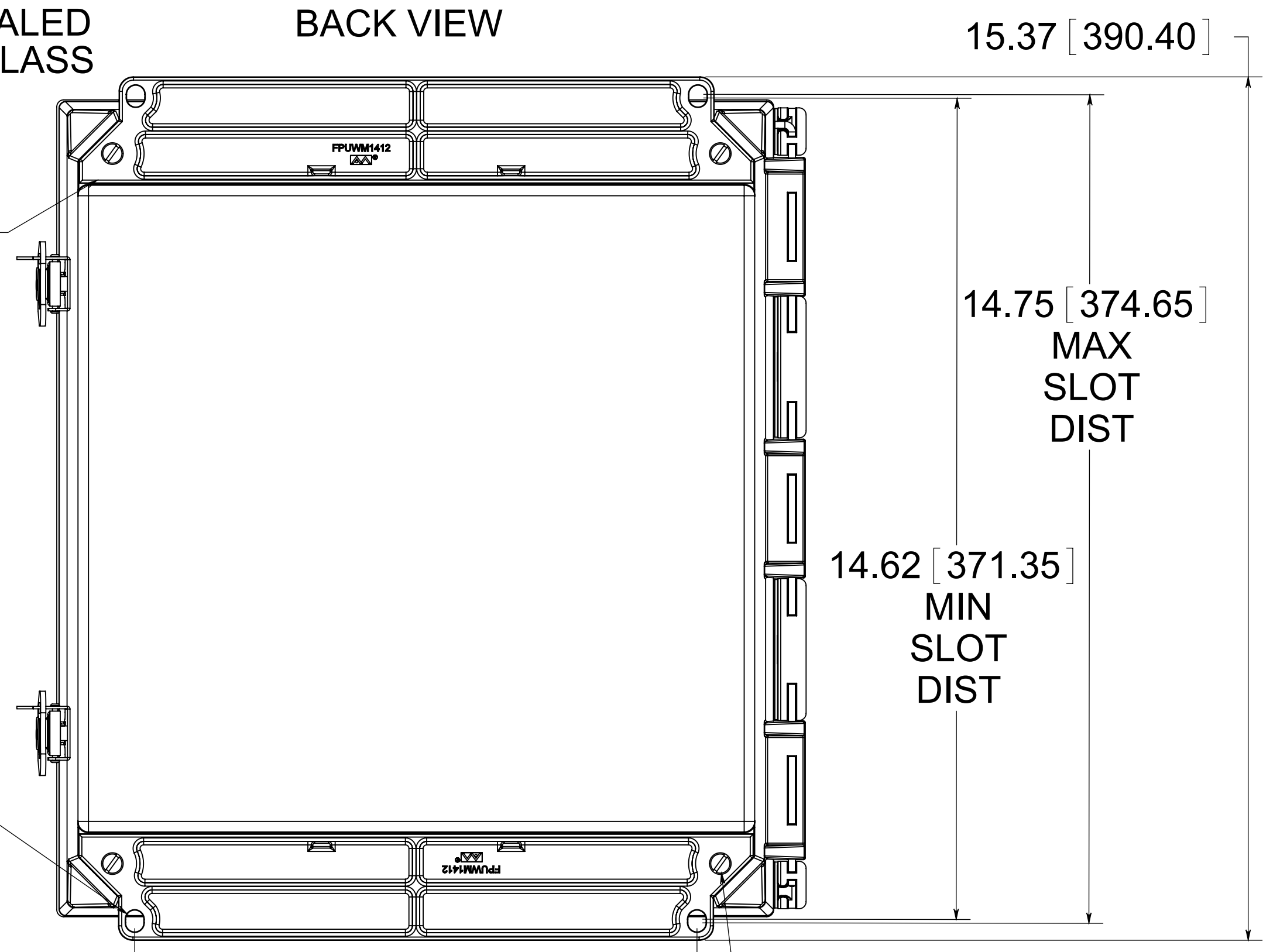


OPTIONAL BACK PANEL  
 0.100 [2.54] TH'K- ALUMINUM  
 0.075 [1.91] TH'K- WHITE STEEL  
 & GALVANNEALED  
 0.125 [3.18] TH'K- FIBERGLASS

(2) POLYCARBONATE  
 FLANGES (GLUED)

.10 [2.54]  
 6.11 [155.27]

BACK VIEW



(8) R.162 [4.10]

FRONT VIEW  
 WITH COVER REMOVED  
 AND BACK PANEL DISPLAYED

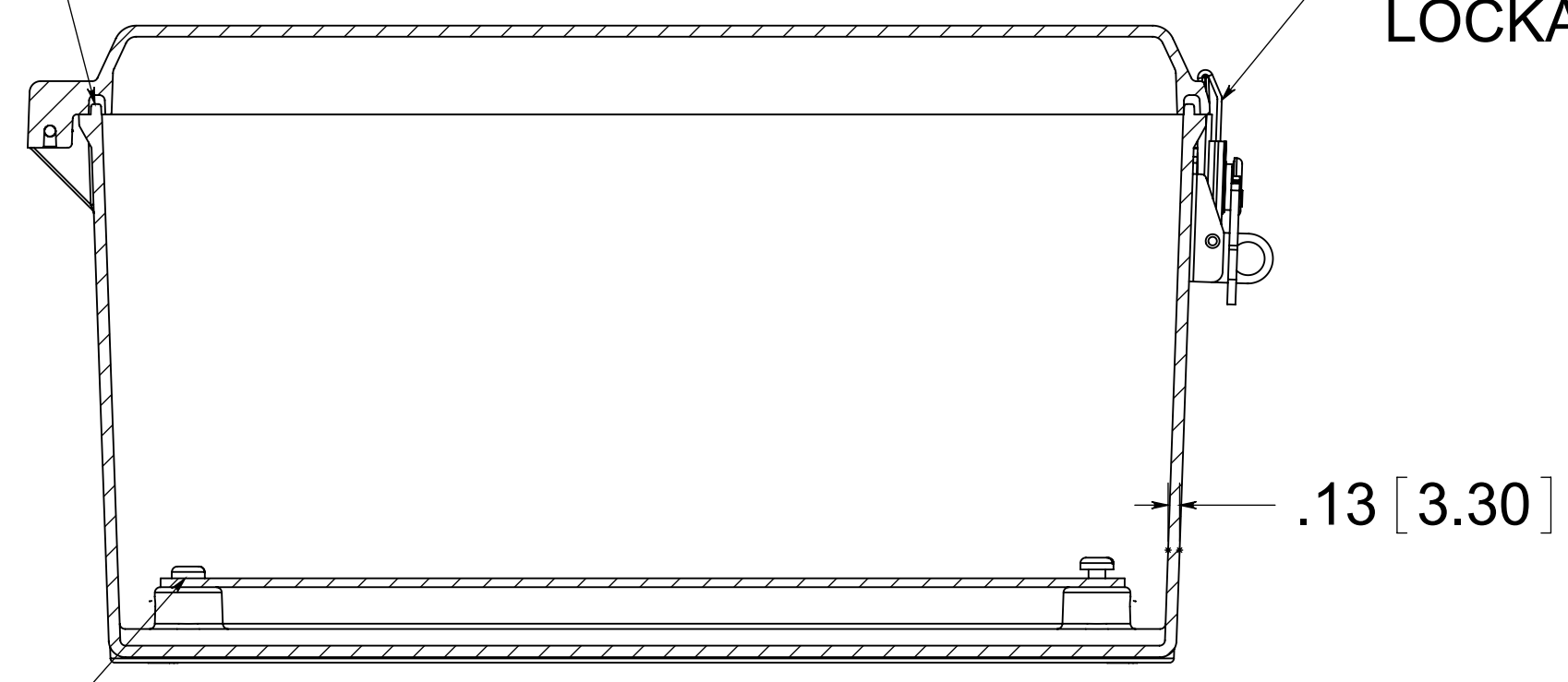
(4) EACH #10-32 BRASS  
 INSERTS, AND STAINLESS  
 STEEL FLANGE AND  
 FEET SCREWS

STAINLESS STEEL  
 HINGE PIN

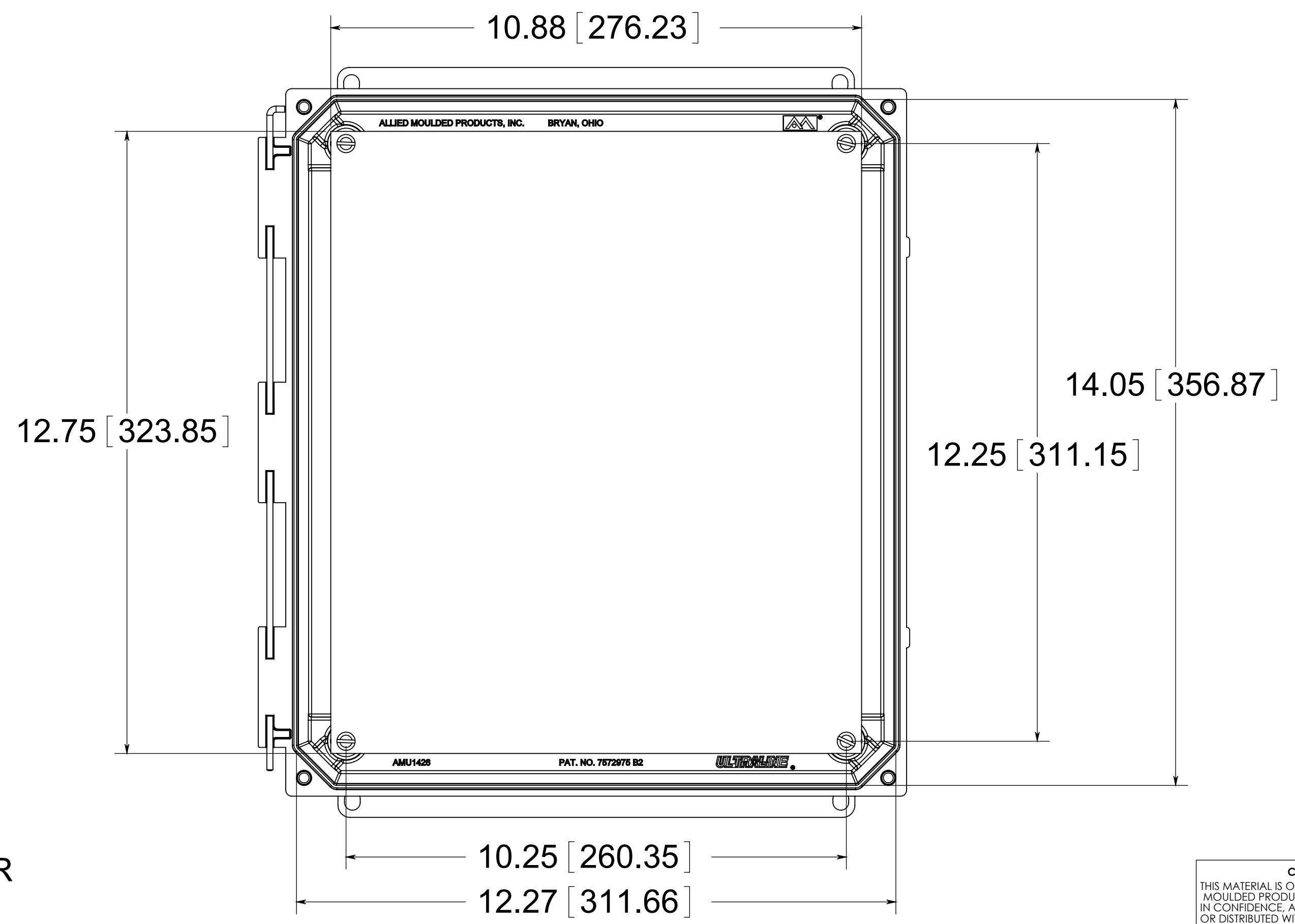
CLOSED CELL  
 NEOPRENE  
 GASKET

(2) STAINLESS STEEL  
 LOCKABLE TWIST LATCH

(4) EACH #10-32 BRASS  
 INSERTS AND PLATED  
 CARBON STEEL SCREWS



SECTION B-B



**MATERIAL:**  
 BOX-COMPRESSION MOLDED FIBERGLASS REINFORCED POLYESTER  
 COVER- COMPRESSION MOLDED FIBERGLASS REINFORCED POLYESTER  
 CLEAR COVER AND WINDOWS- POLYCARBONATE

**CONFIDENTIAL**  
 THIS MATERIAL IS OWNED BY THE ALLIED  
 MOULDED PRODUCTS COMPANY, IS DISCLOSED  
 IN CONFIDENCE, AND IS NOT TO BE REPRODUCED  
 OR DISTRIBUTED WITHOUT PRIOR WRITTEN  
 PERMISSION FROM ALLIED MOULDED PRODUCTS.

ALLIED MOULDED PRODUCTS  
 BRYAN, OHIO  
 The Original Fiber Glass Outlet Box

Description  
**AMU Ultraline**  
 Part No.  
**AMU1426TF**