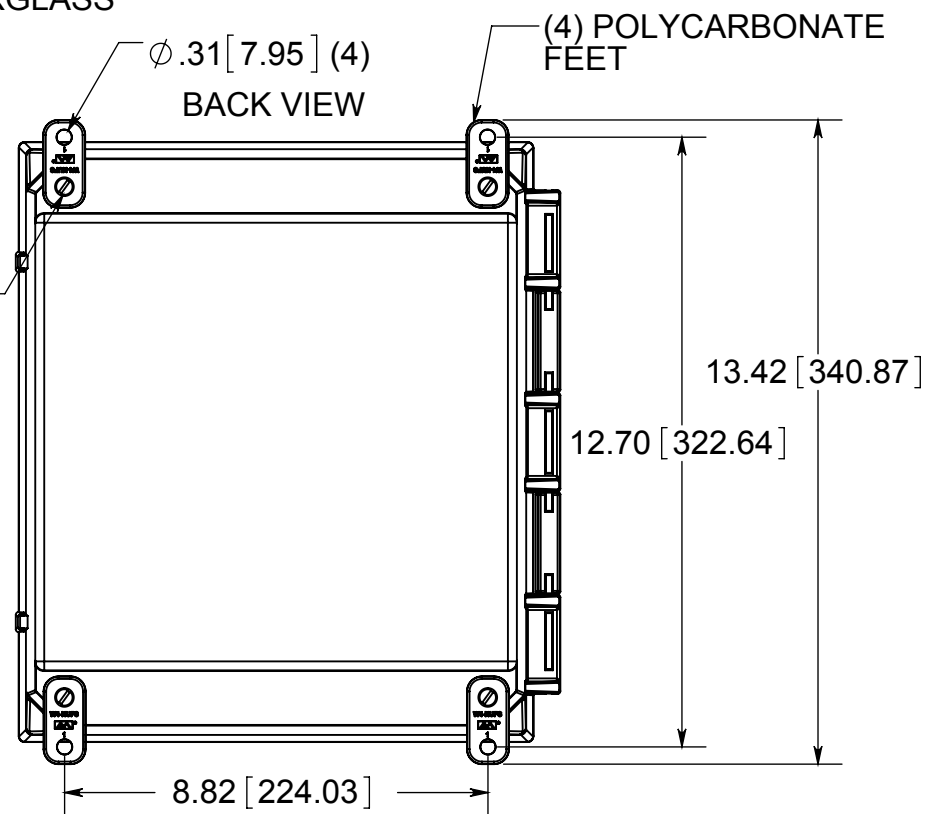
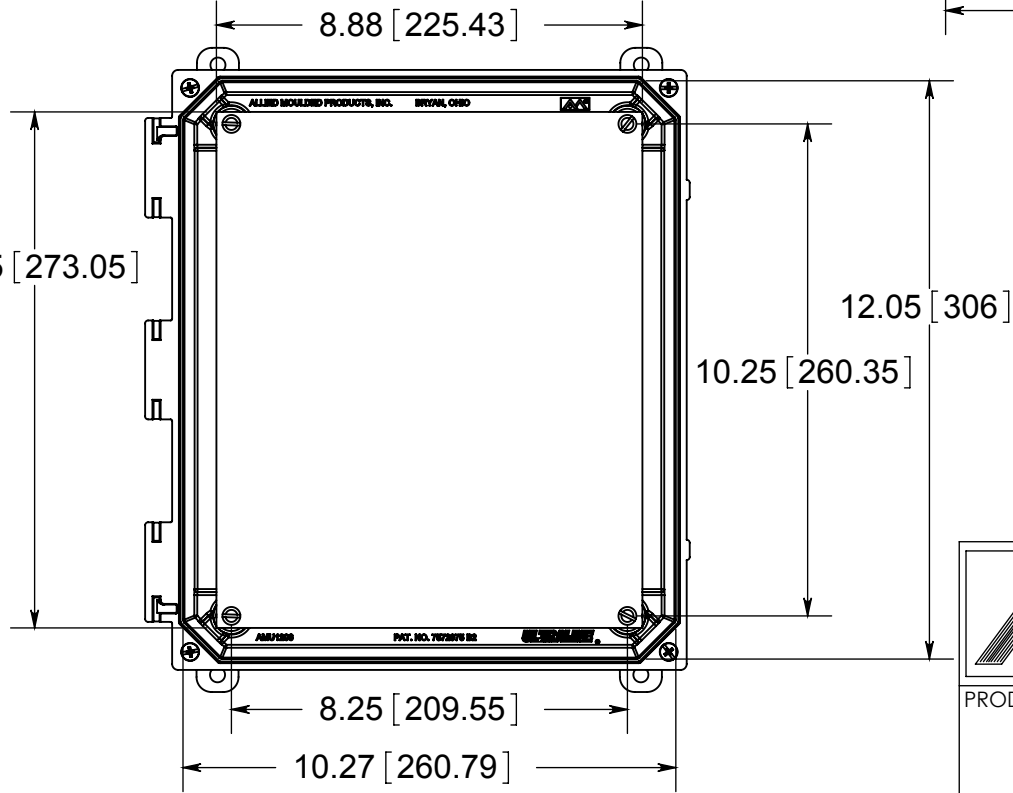


OPTIONAL BACK PANEL  
 0.100 [2.54] TH'K- ALUMINUM  
 0.075 [1.91] TH'K- WHITE STEEL & GALVANNEALED  
 0.125 [3.18] TH'K- FIBERGLASS

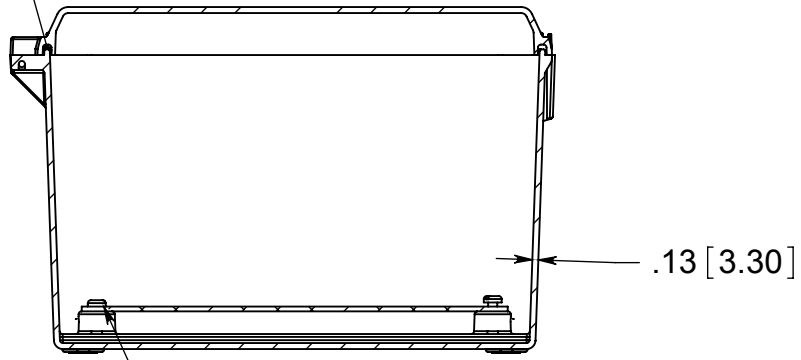


(4) EACH #10-32 BRASS INSERTS AND STAINLESS STEEL CAPTIVE COVER SCREWS WITH RETAINING O-RING

FRONT VIEW WITH COVER REMOVED AND BACK PANEL DISPLAYED



CLOSED CELL NEOPRENE GASKET



(4) EACH #10-32 BRASS INSERTS AND PLATED CARBON STEEL SCREWS

**MATERIAL:**  
 BOX-COMPRESSION MOLDED FIBERGLASS REINFORCED POLYESTER  
 COVER- COMPRESSION MOLDED FIBERGLASS REINGORCED POLYESTER  
 CLEAR COVER AND WINDOWS- POLYCARBONATE

**CONFIDENTIAL**  
 THIS MATERIAL IS OWNED BY THE ALLIED MOULDED PRODUCTS COMPANY, IS DISCLOSED IN CONFIDENCE, AND IS NOT TO BE REPRODUCED OR DISTRIBUTED WITHOUT PRIOR WRITTEN PERMISSION FROM ALLIED MOULDED PRODUCTS.

 **ALLIED MOULDED PRODUCTS**  
 BRYAN, OHIO  
 The Original Fiber Glass Outlet Box

PRODUCT SERIES  
**AMU Ultraline**  
 Part No.  
**AMU1206CC**