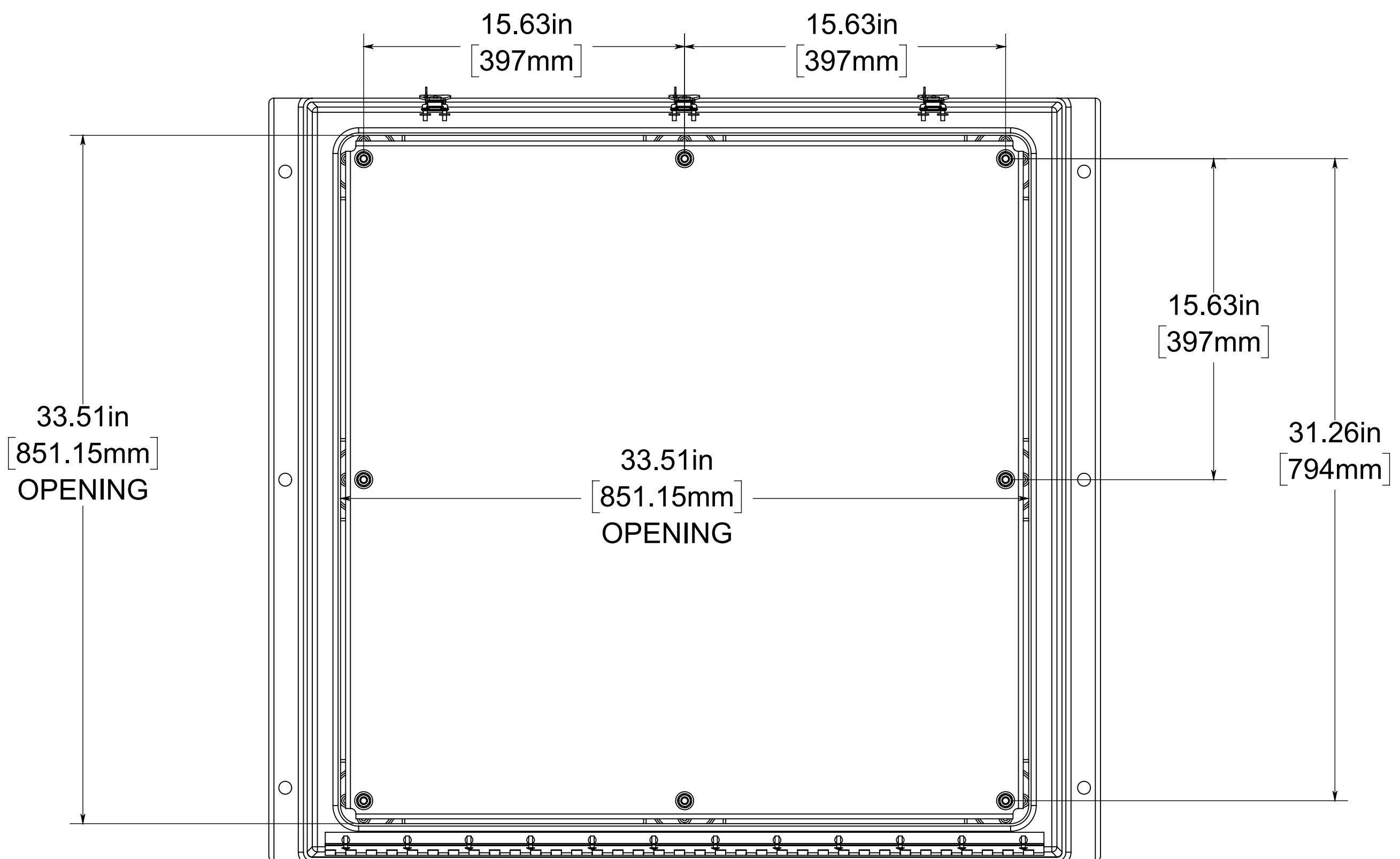
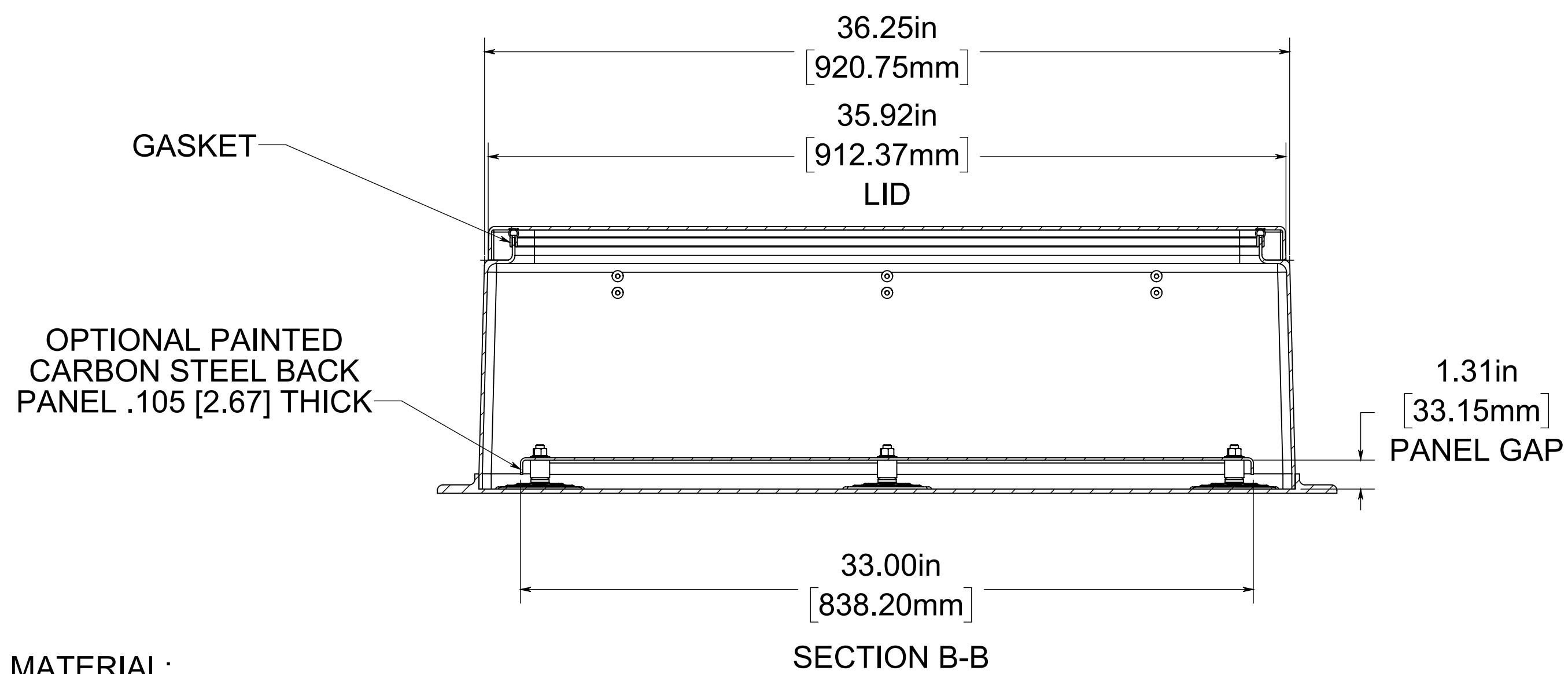


NOTE:
1. DATA SUBJECT TO CHANGE

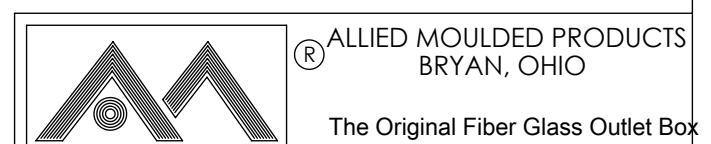


TOP VIEW WITH COVER AND GASKET REMOVED

MATERIAL:

BOX- GEL-COAT, FIBERGLASS, POLYESTER RESIN
COVER- GEL-COAT, FIBERGLASS, POLYESTER RESIN
EDM GASKET SEAL

CONFIDENTIAL
THIS MATERIAL IS OWNED BY THE ALLIED MOULDED PRODUCTS COMPANY, IS DISCLOSED IN CONFIDENCE, AND IS NOT TO BE REPRODUCED OR DISTRIBUTED WITHOUT PRIOR WRITTEN PERMISSION FROM ALLIED MOULDED PRODUCTS.



Empire
Part No. AM363612L