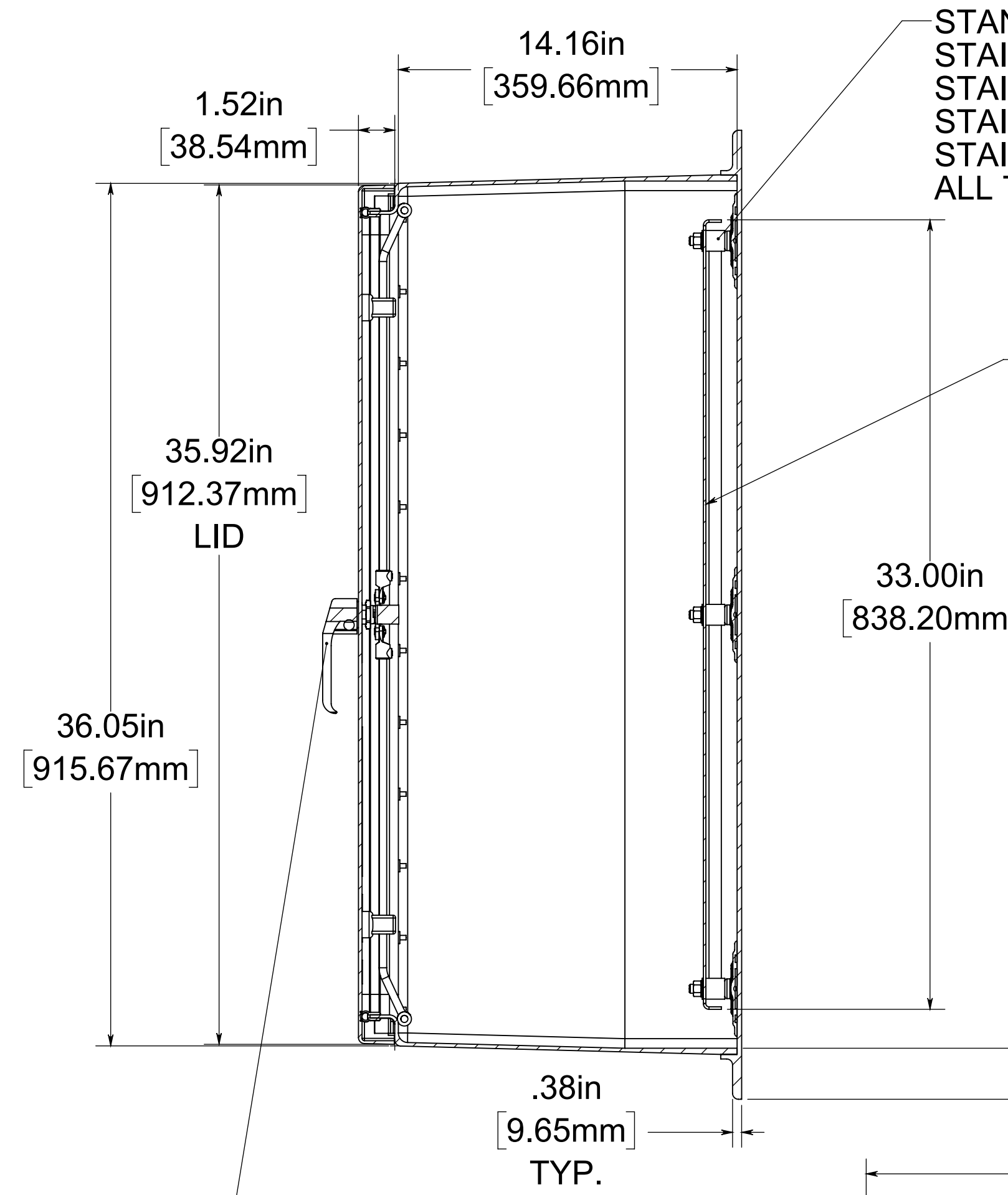


FRONT VIEW WITH COVER



SIDE VIEW

- STANDARD PVC SPACER
- STAINLESS STEEL 3/8-16x2 THREADED ROD
- STAINLESS STEEL 3/8 INT. TEETH LOCKING WASHER
- STAINLESS STEEL 3/8 FLAT WASHER
- STAINLESS STEEL 3/8-16 HEX HEAD NUT
- ALL TYP. (8x)

OPTIONAL PAINTED CARBON
STEEL BACK PANEL .105 [2.7]
THICK PART NO. P3636CS

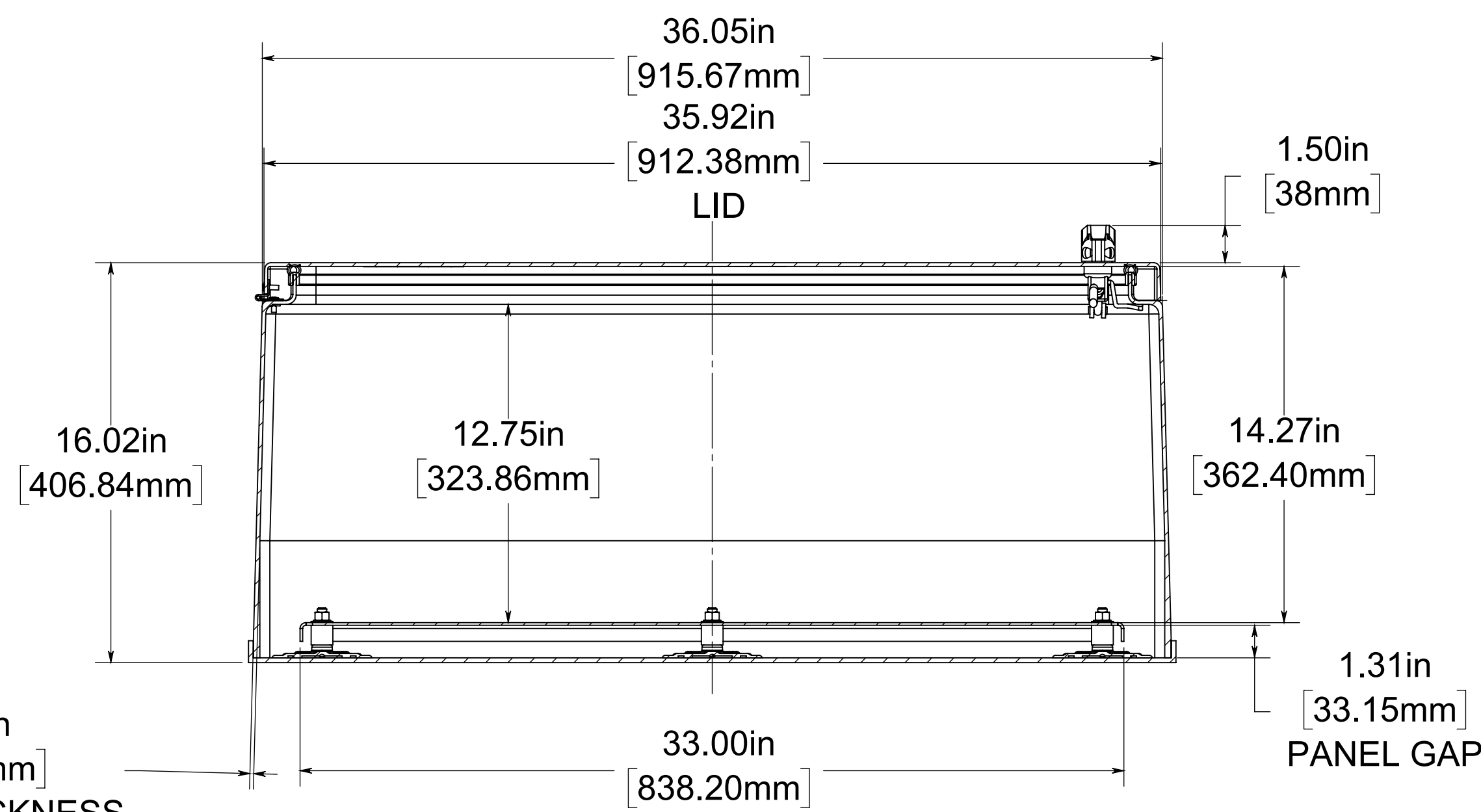
MATERIAL:

BOX- GEL-COAT, FIBERGLASS, POLYESTER RESIN
COVER- GEL-COAT, FIBERGLASS, POLYESTER RESIN
EPDM GASKET SEAL

NOTE:

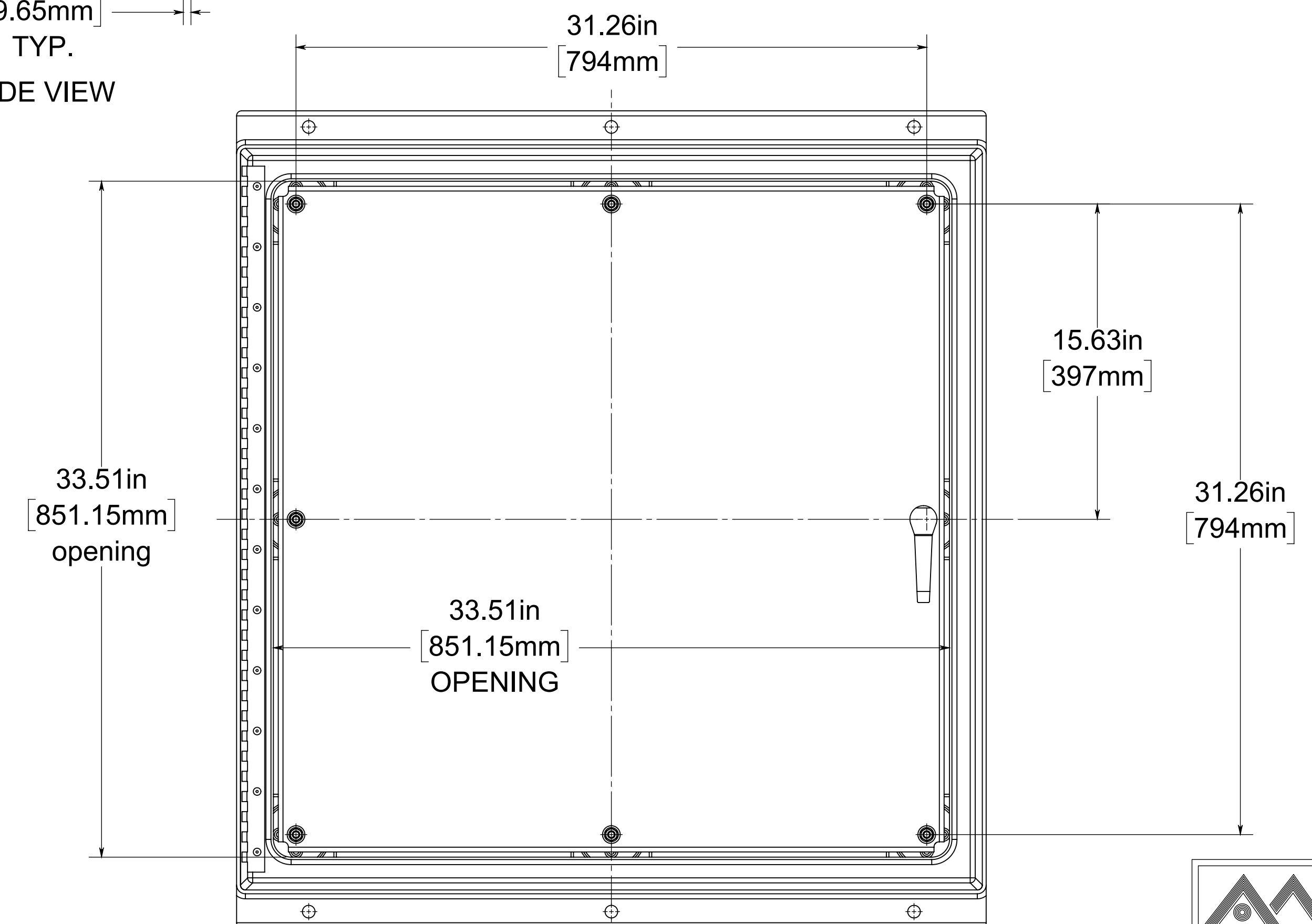
1. DATA SUBJECT TO CHANGE

316 SS 3-PT LATCH
W/PADLOCK PROVISION



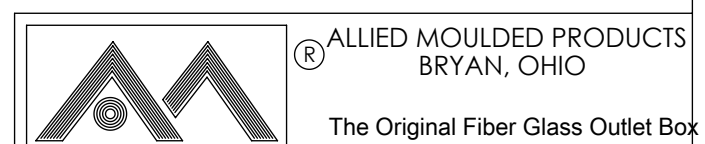
WALL THICKNESS

BOTTOM VIEW



FRONT VIEW WITH COVER
AND GASKET REMOVED

CONFIDENTIAL
THIS MATERIAL IS OWNED BY THE ALLIED
MOULDED PRODUCTS COMPANY, IS DISCLOSED
IN CONFIDENCE, AND IS NOT TO BE REPRODUCED
OR DISTRIBUTED WITHOUT PRIOR WRITTEN
PERMISSION FROM ALLIED MOULDED PRODUCTS.



Description

Empire

Part No.
AM363616L3PT