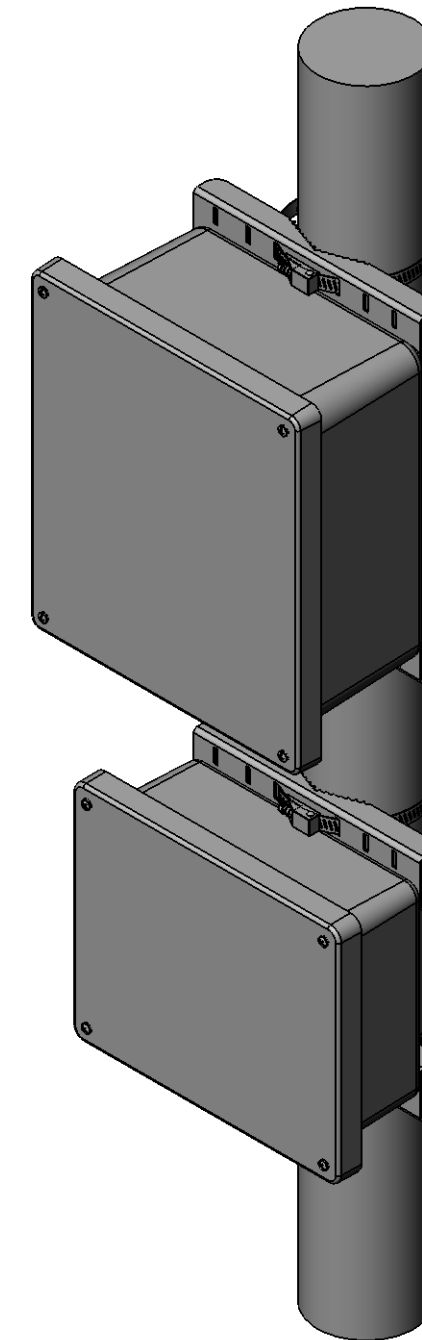


STANDARD MOUNT

ROTATED 90°



STANDARD MOUNT HOLE PATTERN

ENCLOSURE	VERTICAL DIM	HORIZONTAL DIM	MOUNT TYPE
AM1206(X)	10.89 (276.6)	9.01 (228.9)	DIRECT TO BOX
AMP1206(X)	12.75 (323.9)	8.00 (203.2)	BOLT THROUGH FLANGE
AMU1206(X)	12.75 (323.9)	8.00 (203.2)	BOLT THROUGH FLANGE

ROTATED 90° MOUNT HOLE PATTERN

ENCLOSURE	VERTICAL DIM	HORIZONTAL DIM	MOUNT TYPE
AM1084(X)	7.01 (177.8)	8.89 (225.8)	DIRECT TO BOX
AM1086(X)	7.01 (177.8)	8.89 (225.8)	DIRECT TO BOX

CONFIDENTIAL
 THIS MATERIAL IS OWNED BY THE ALLIED MOULDED PRODUCTS COMPANY, IS DISCLOSED IN CONFIDENCE, AND IS NOT TO BE REPRODUCED OR DISTRIBUTED WITHOUT PRIOR WRITTEN PERMISSION FROM ALLIED MOULDED PRODUCTS.



® **ALLIED MOULDED PRODUCTS**
 BRYAN, OHIO

The Original Fiber Glass Outlet Box

PRODUCT SERIES

Access-Indus

Part No.

AMPOLEMNT10