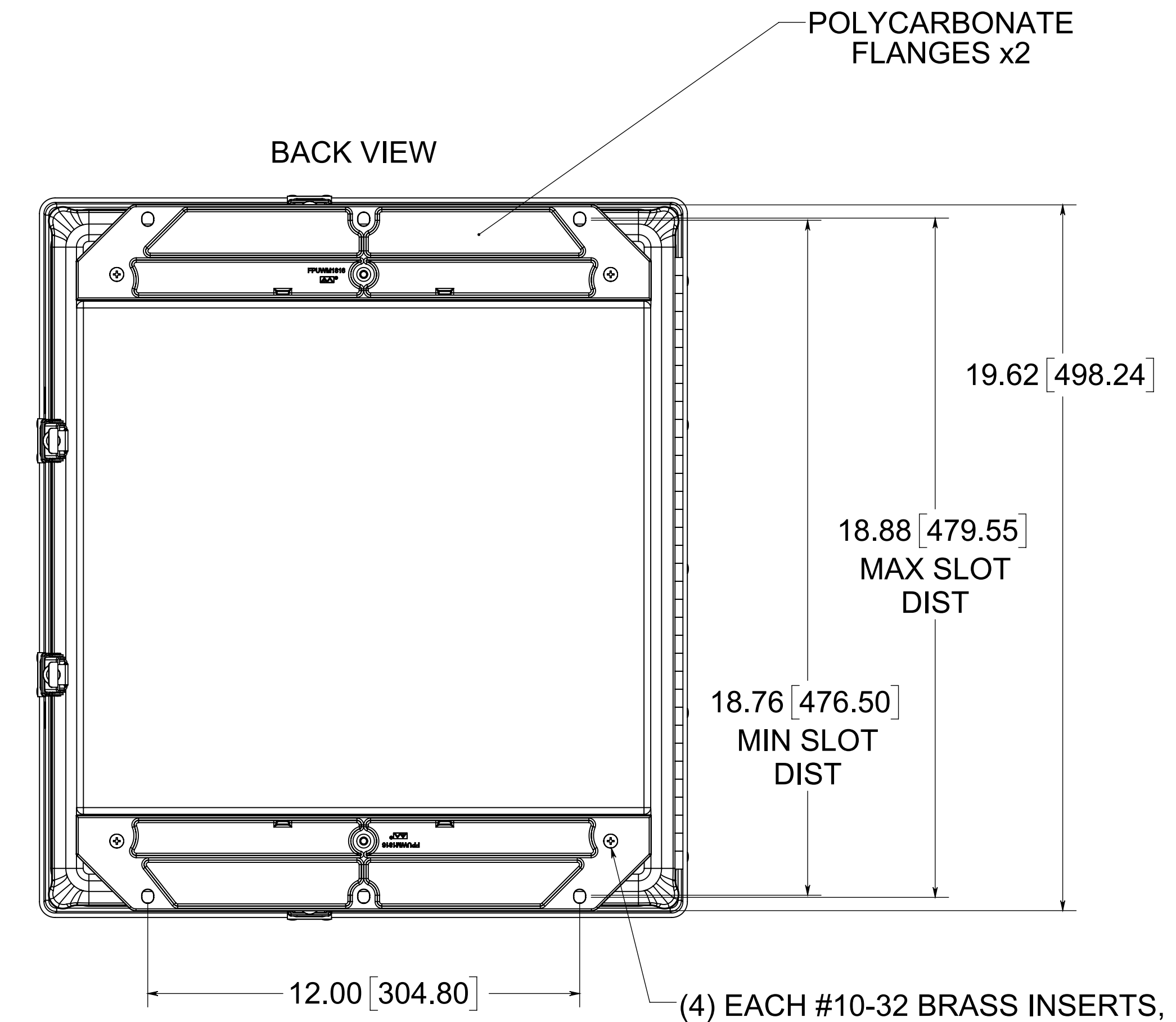
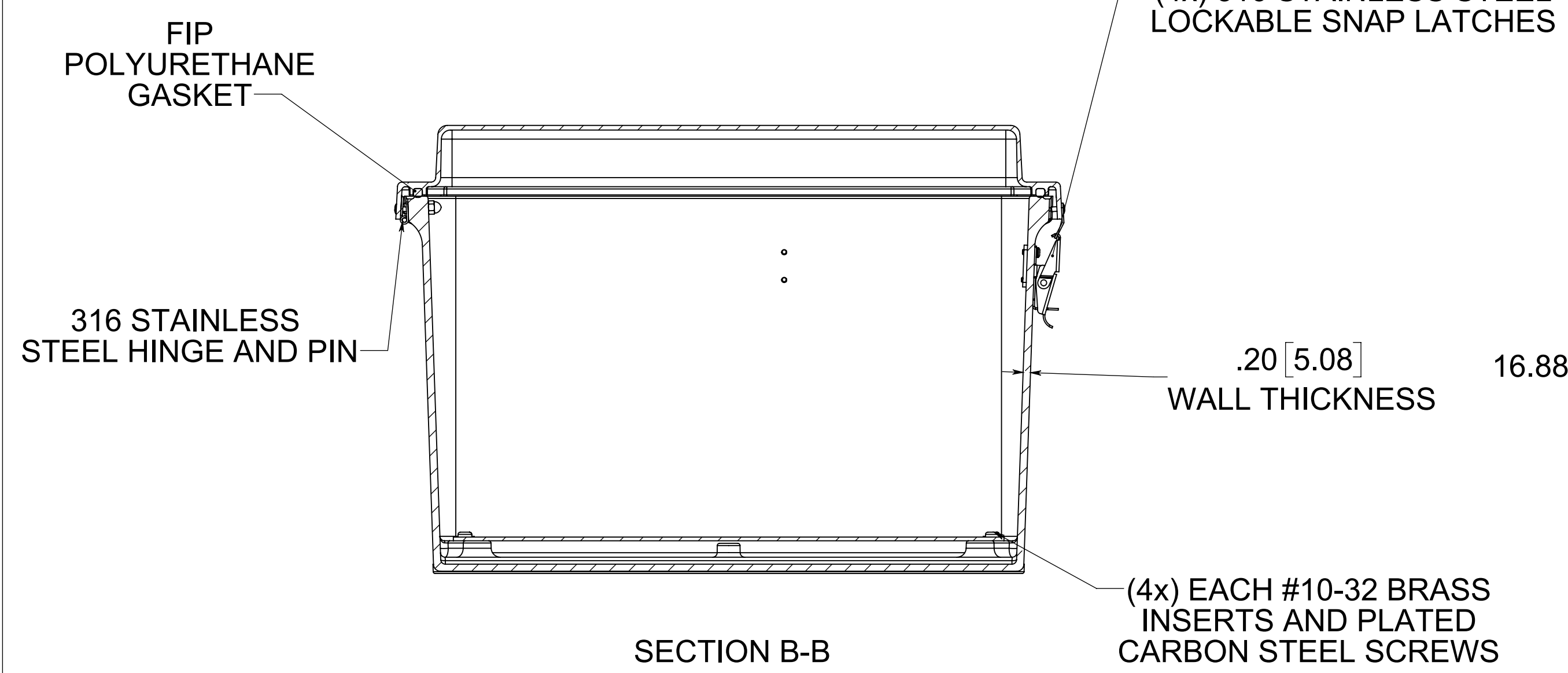
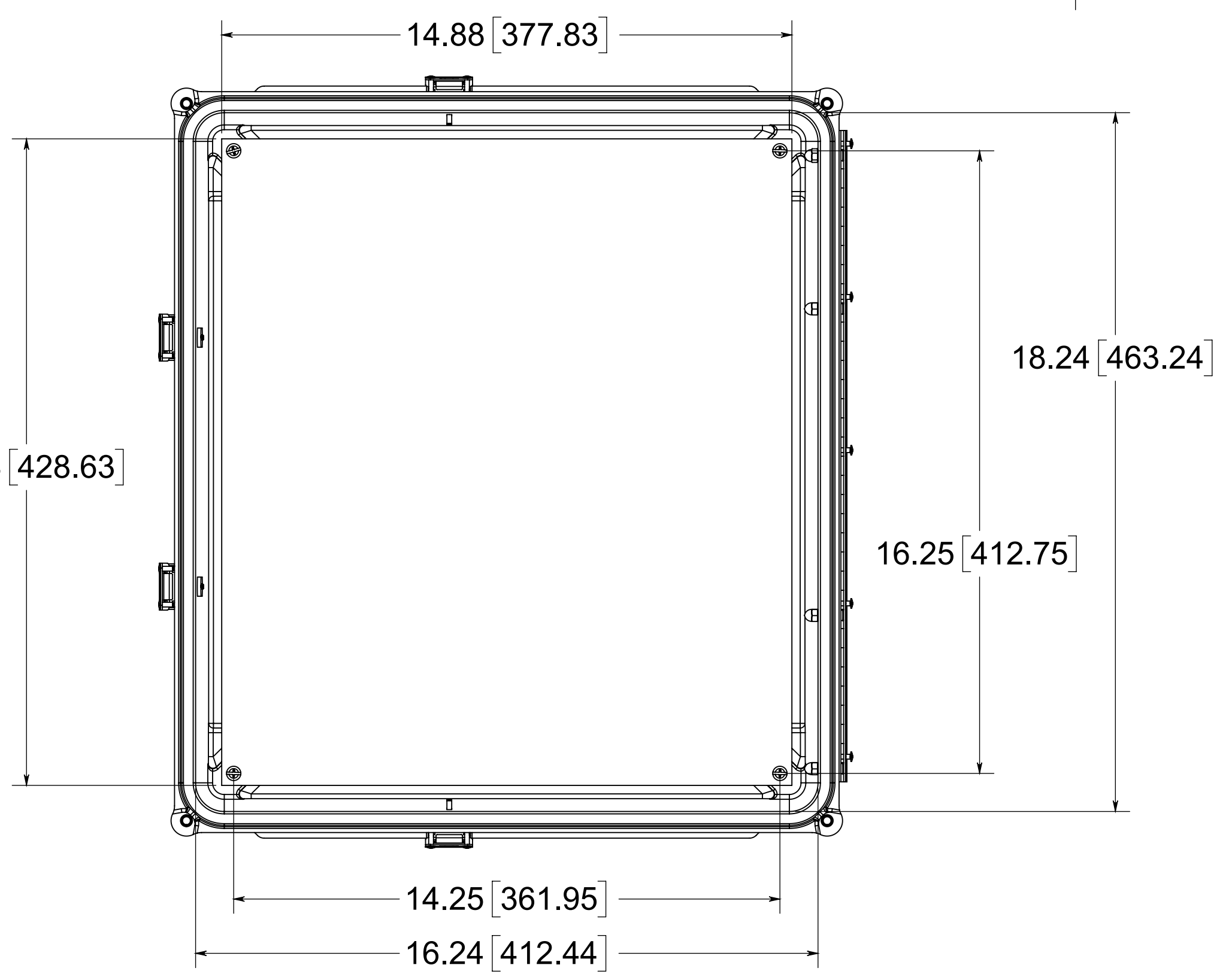


OPTIONAL BACK PANEL  
 0.100 [2.54] TH'K - ALUMINUM  
 0.075 [1.91] TH'K - WHITE STEEL & GALVANNEALED  
 0.125 [3.18] TH'K - FIBERGLASS



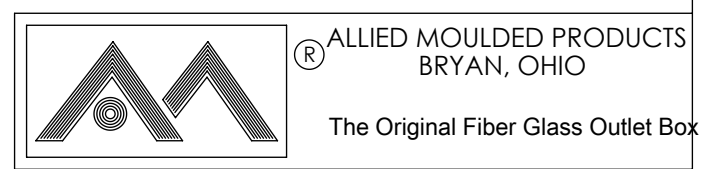
POLYCARBONATE FLANGES x2

FRONT VIEW WITH COVER REMOVED AND BACK PANEL DISPLAYED



MATERIAL:  
 BOX - COMPRESSION MOLDED FIBERGLASS REINFORCED POLYESTER  
 COVER - COMPRESSION MOLDED FIBERGLASS REINFORCED POLYESTER

NOTES:  
 1. DATA SUBJECT TO CHANGE WITHOUT NOICE



CONFIDENTIAL  
 THIS MATERIAL IS OWNED BY THE ALLIED MOULDED PRODUCTS COMPANY, IS DISCLOSED IN CONFIDENCE, AND IS NOT TO BE REPRODUCED OR DISTRIBUTED WITHOUT PRIOR WRITTEN PERMISSION FROM ALLIED MOULDED PRODUCTS.

Description  
**AM Raised Cov**  
 Part No.  
**AMHD1860RLF**