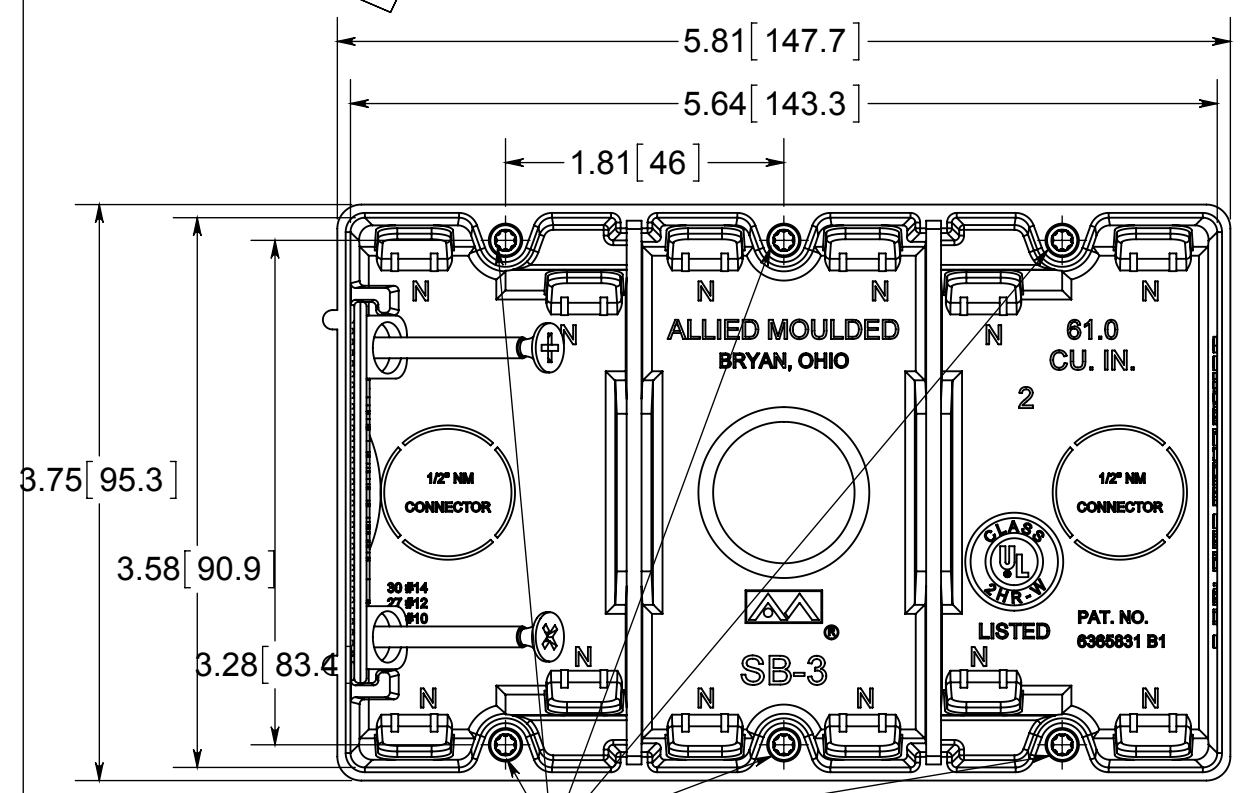
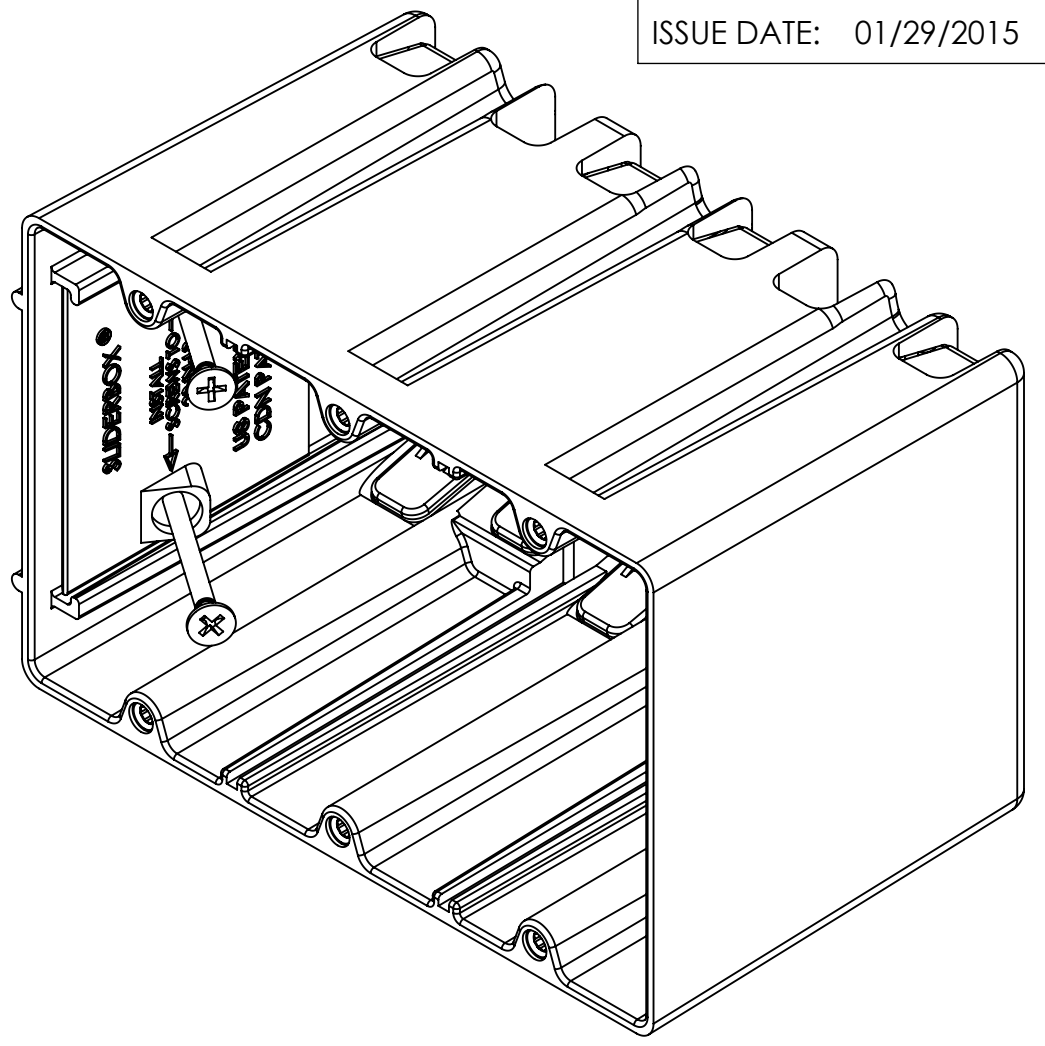
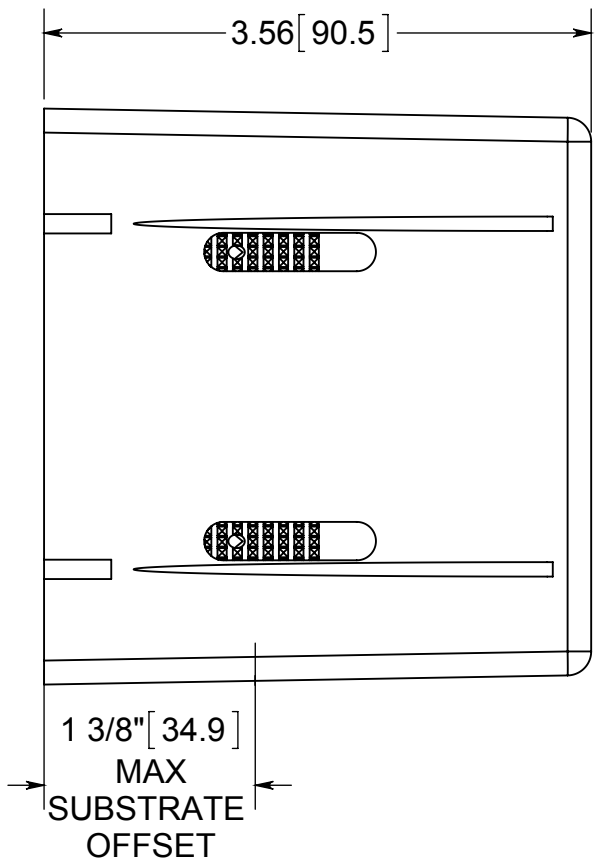
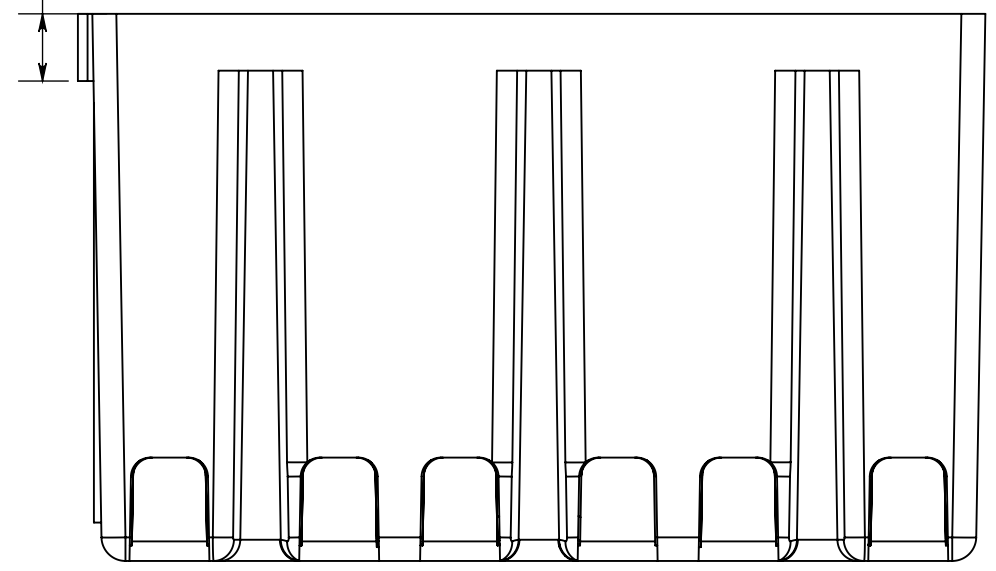


SLIDERBOX®



#6-32 MOLDED SPLINE HOLES

7/16" [11.1]
OFFSET RIB



- NOTES:
- 1.) BOX MATERIAL: PC, SLIDER PLATE MATERIAL: PC, SCREW MATERIAL: PLATED CARBON STEEL
 - 2.) UL LISTED WITH 2 HOUR FIRE RATING FOR WALL
 - 3.) TWO 1/2" NM KNOCKOUT
 - 4.) ACCEPTS LVP-2 LOW VOLTAGE PARTITION



® **ALLIED MOULDED PRODUCTS**
BRYAN, OHIO
The Original Fiber Glass Outlet Box

PRODUCT SERIES
ADJUSTABLE THREE GANG 61.0 CU.IN.

Part No.
SB-3

CONFIDENTIAL
THIS MATERIAL IS OWNED BY THE ALLIED MOULDED PRODUCTS COMPANY, IS DISCLOSED IN CONFIDENCE, AND IS NOT TO BE REPRODUCED OR DISTRIBUTED WITHOUT PRIOR WRITTEN PERMISSION FROM ALLIED MOULDED PRODUCTS.