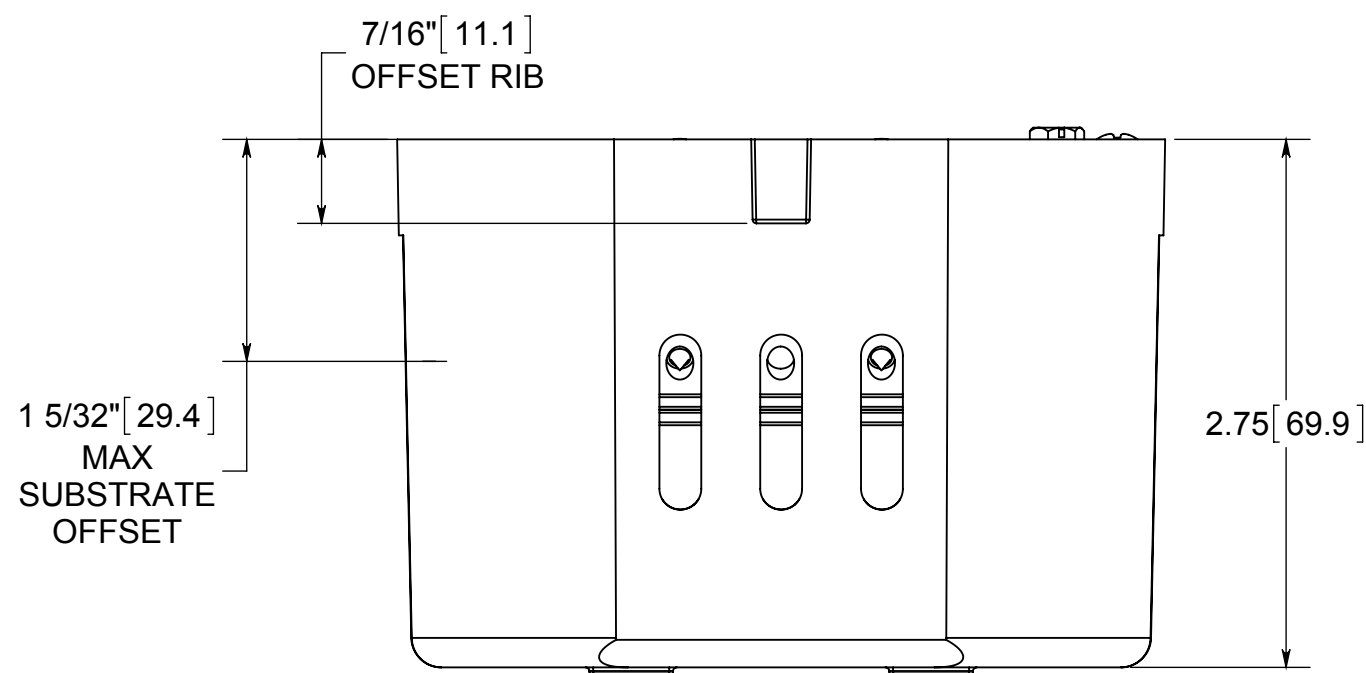


- NOTES:
- 1.) BOX MATERIAL: PC, SLIDER PLATE MATERIAL: PC, MOUNTING SCREW MATERIAL: PLATED CARBON STEEL, GROUND STRAP SCREWS MATERIAL: ZINC PLATED STEEL, GROUND STRAP MATERIAL: GALVANIZED STEEL,
 - 2.) UL LISTED WITH 2 HOUR FIRE RATING FOR WALL AND CEILING
 - 3.) TWO 1/2" NM KNOCKOUT
 - 4.) 50-LB FIXTURE RATING



PRODUCT SERIES
ADJUSTABLE 4" CEILING BOX 25.0 CU.IN.

Part No.
SB-CBG

CONFIDENTIAL
THIS MATERIAL IS OWNED BY THE ALLIED MOULDED PRODUCTS COMPANY, IS DISCLOSED IN CONFIDENCE, AND IS NOT TO BE REPRODUCED OR DISTRIBUTED WITHOUT PRIOR WRITTEN PERMISSION FROM ALLIED MOULDED PRODUCTS.