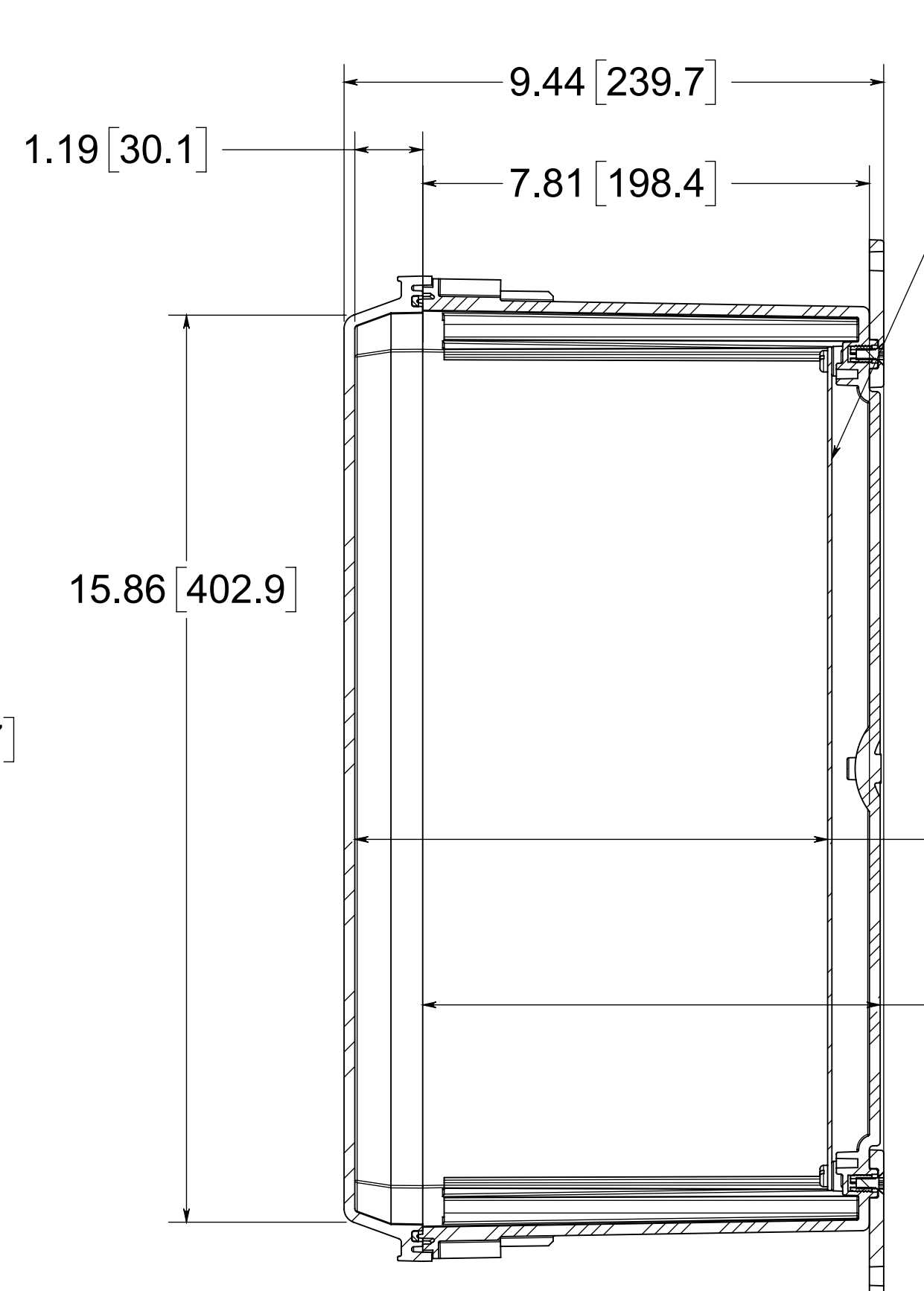


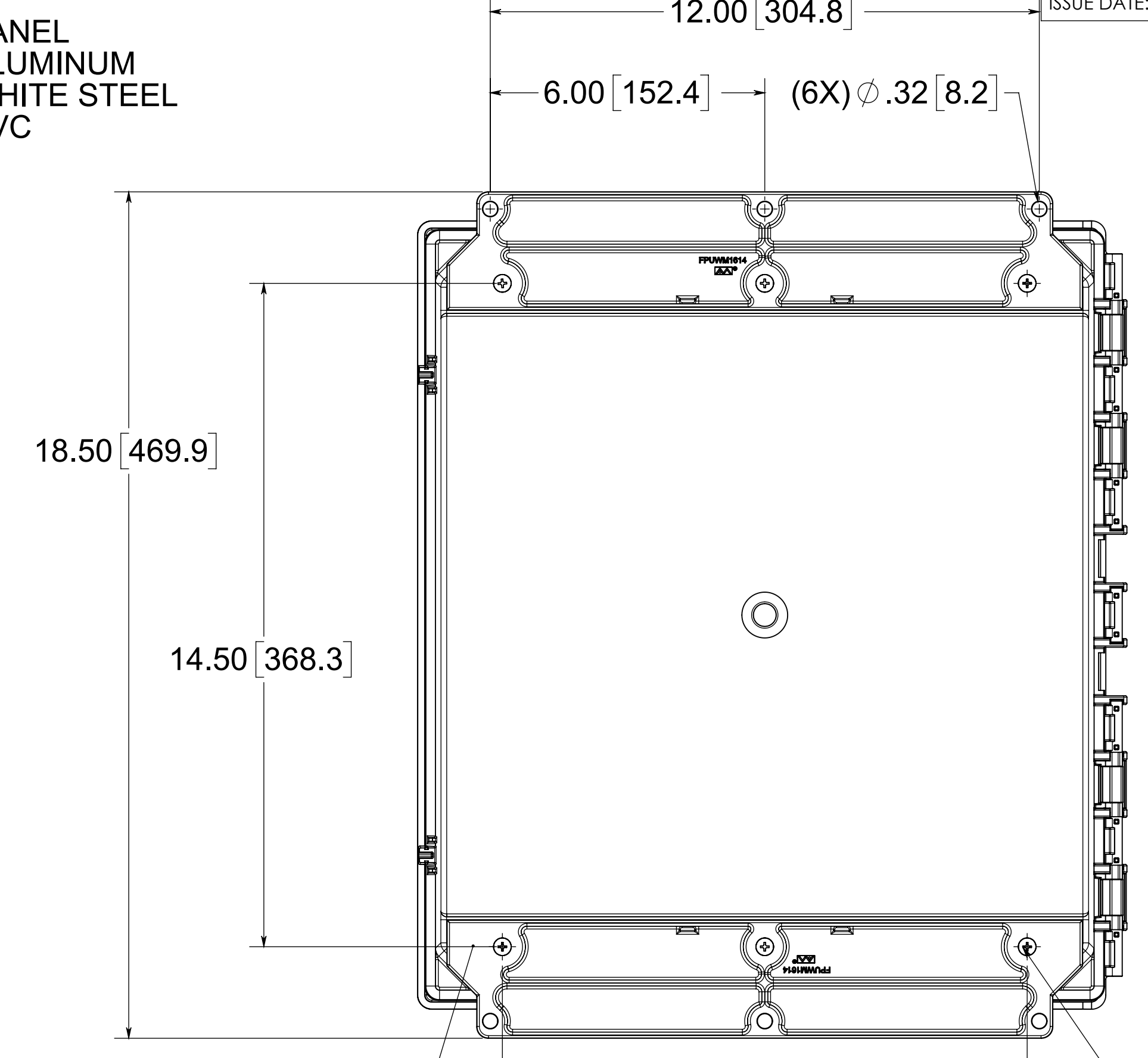
(4X) SNAP-IN POLYCARBONATE HINGE KNUCKLE

(2X) #10-32 BRASS INSERTS AND 316 STAINLESS STEEL CAPTIVE COVER SCREW



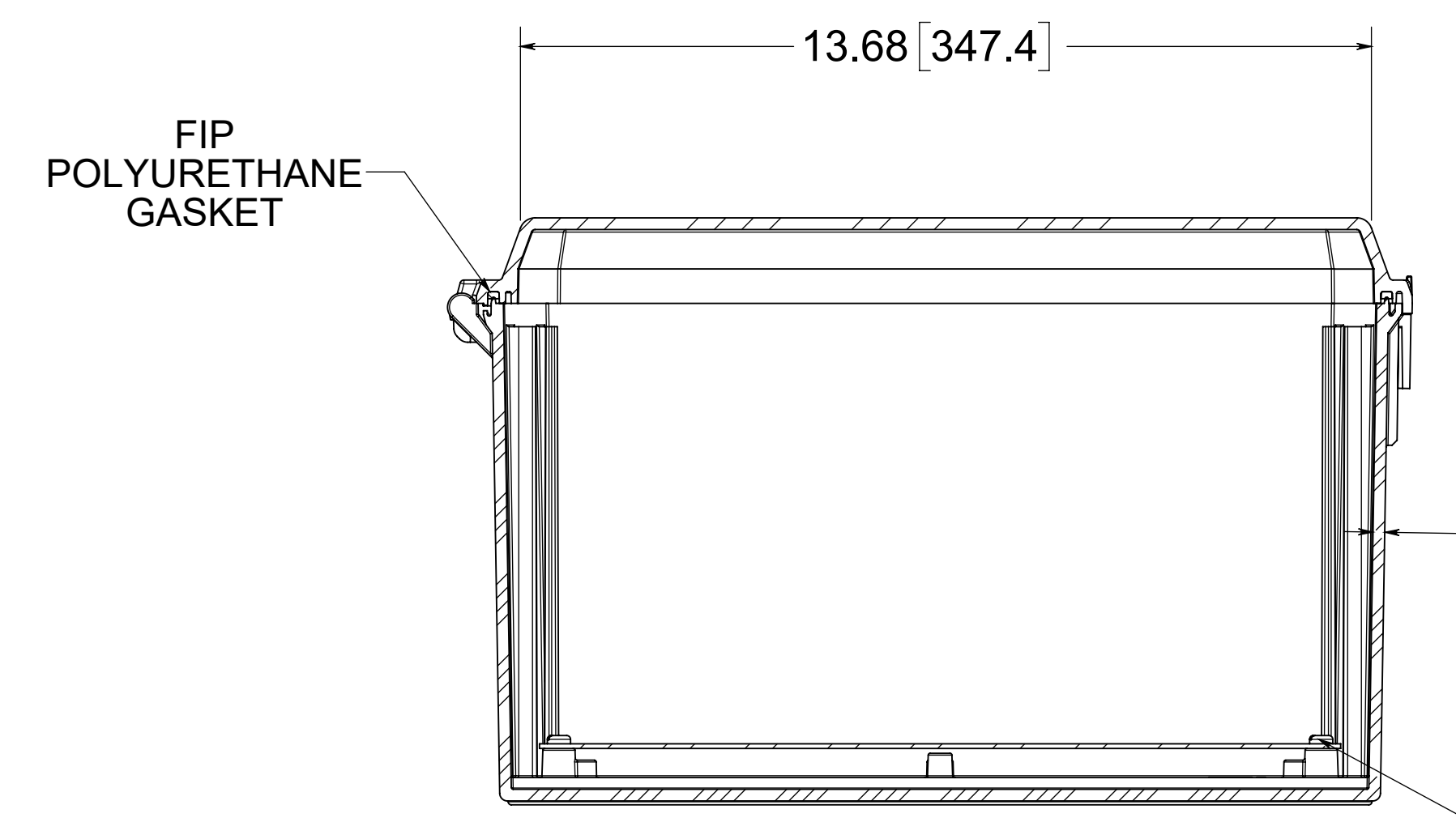
SECTION A-A

OPTIONAL BACK PANEL
0.100 [2.54] TH'K- ALUMINUM
0.075 [1.91] TH'K- WHITE STEEL
0.188 [4.78] TH'K- PVC



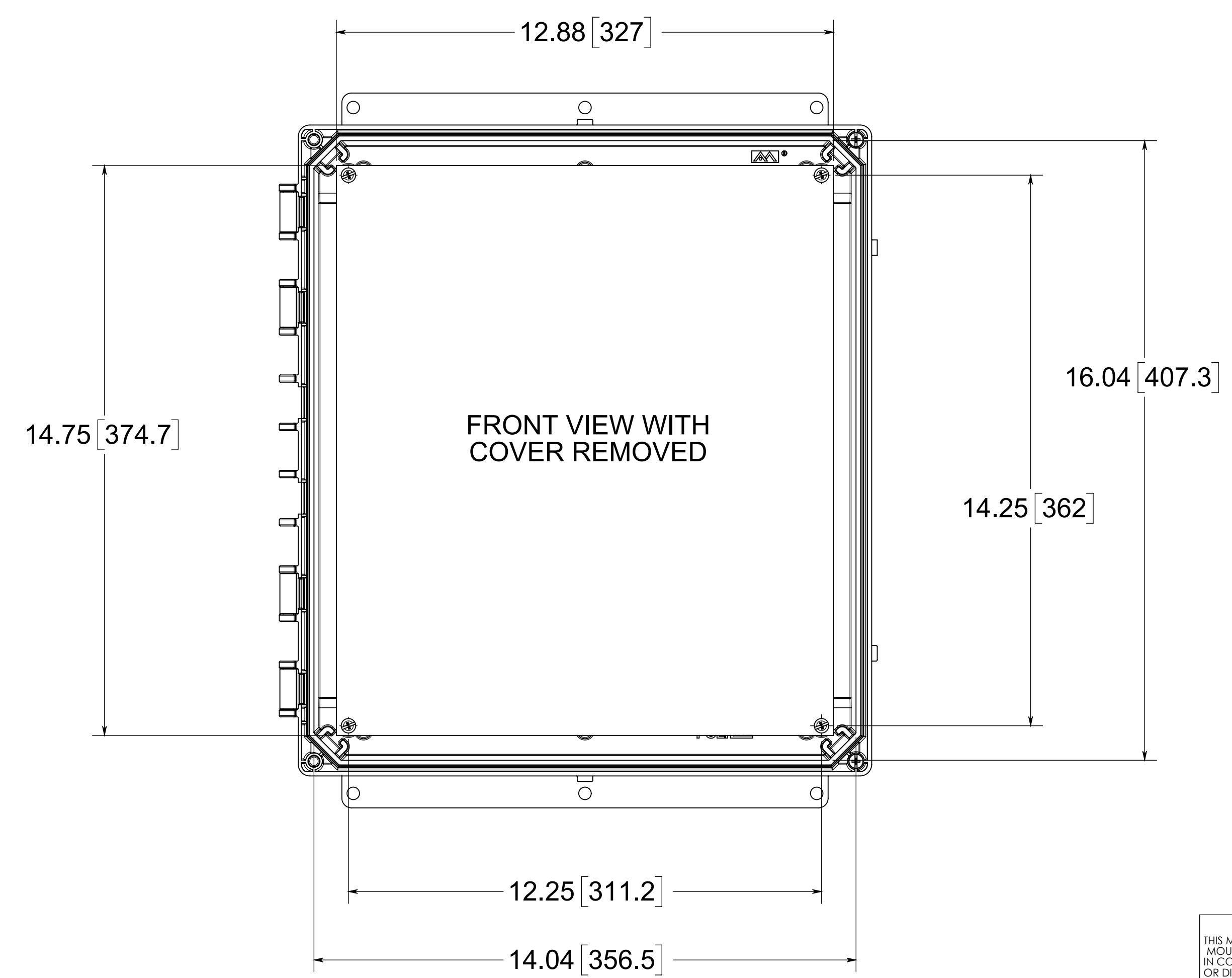
(2X) POLYCARBONATE FLANGES (GLUED)

(6X) #10-32 BRASS INSERTS, 316 STAINLESS STEEL FLANGE AND FEET SCREWS



SECTION B-B

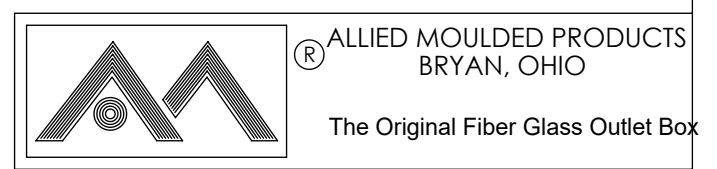
(4X) #10-32 BRASS INSERTS AND PLATED CARBON TRUSS SCREWS



FRONT VIEW WITH COVER REMOVED

MATERIAL:
BOX - INJECTED POLYCARBONATE
STANDARD COVER - INJECTED POLYCARBONATE
CLEAR COVER - INJECTED POLYCARBONATE

NOTE:
1. DATA SUBJECT TO CHANGE



AMP Polyline
Part No. AMP1648CCHF

CONFIDENTIAL
THIS MATERIAL IS OWNED BY THE ALLIED MOULDED PRODUCTS COMPANY, IS DISCLOSED IN CONFIDENCE, AND IS NOT TO BE REPRODUCED OR DISTRIBUTED WITHOUT PRIOR WRITTEN PERMISSION FROM ALLIED MOULDED PRODUCTS.