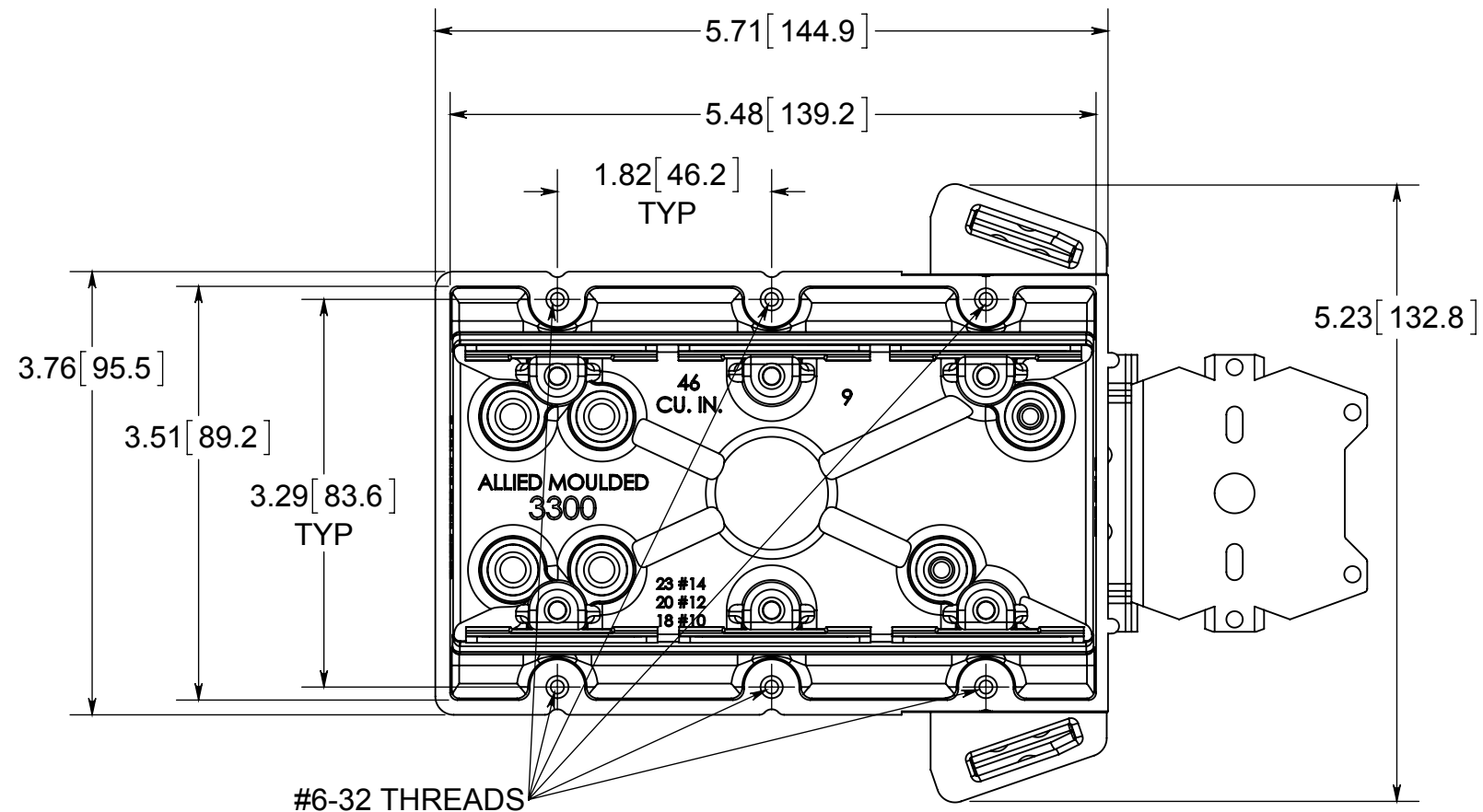
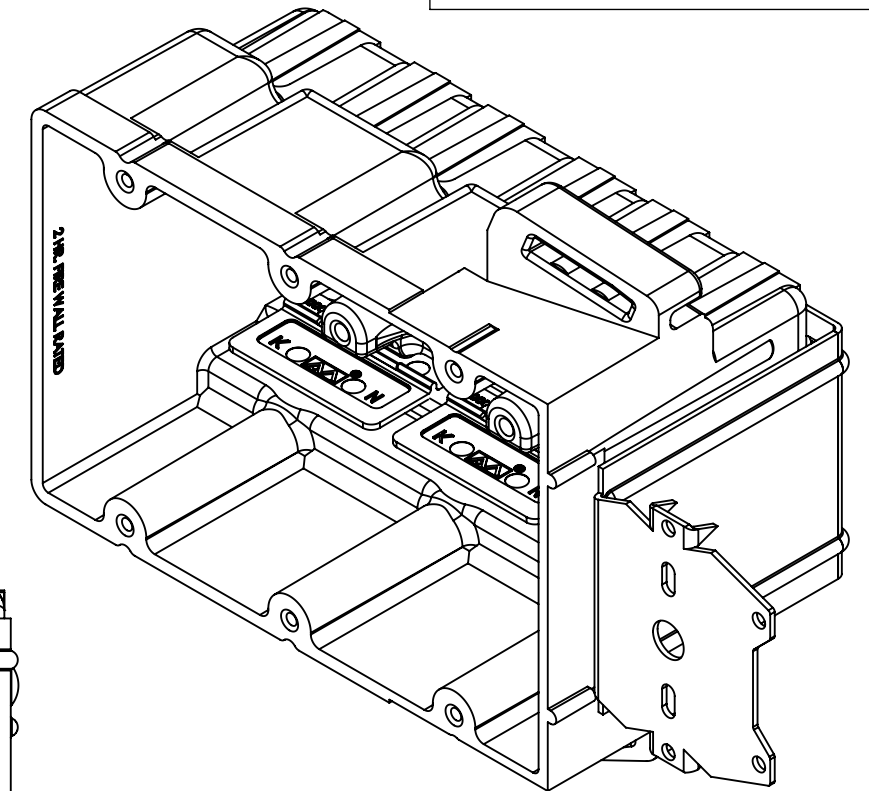
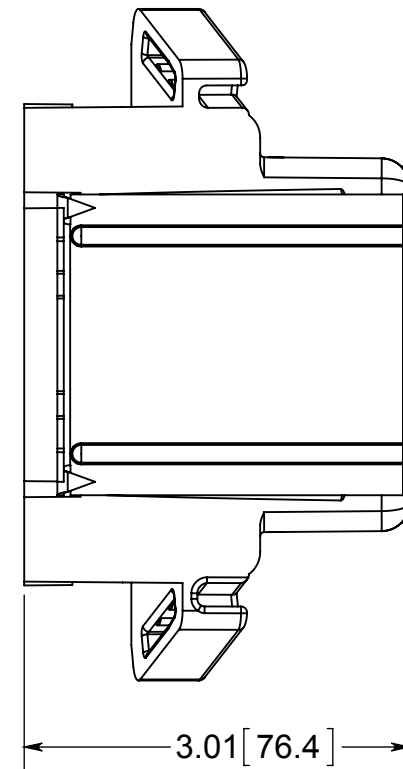
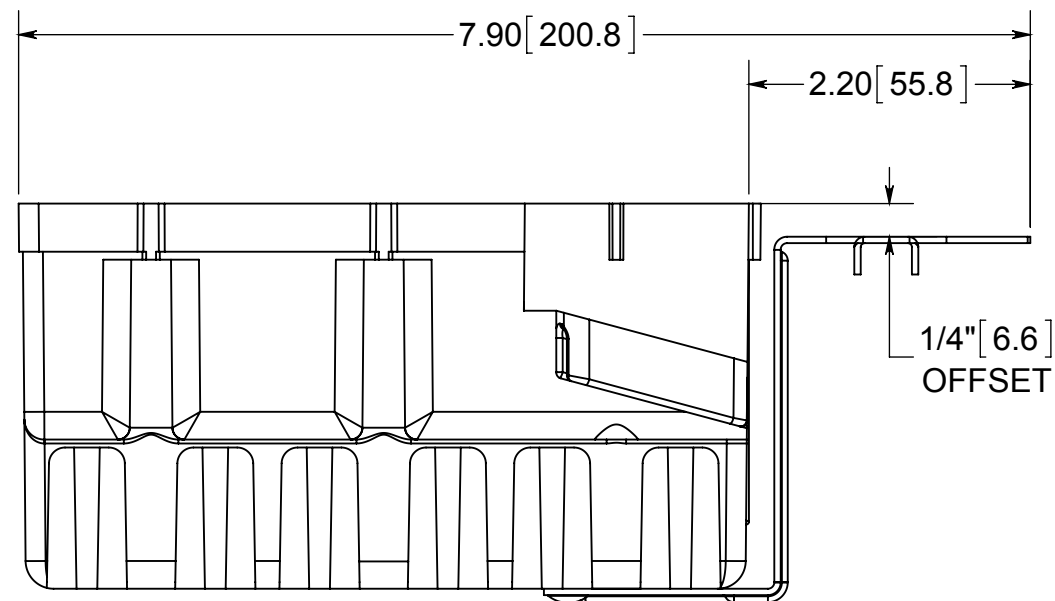


# fiberglass BOX™

ISSUE DATE: 05/12/2015

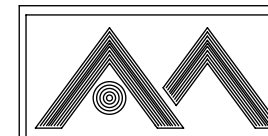


#6-32 THREADS



**NOTES:**

- 1.) BOX MATERIAL: FIBERGLASS REINFORCED POLYESTER, BRACKET MATERIAL: GALVANIZED STEEL, SPEED KLAMP MATERIAL: PVC
- 2.) UL LISTED WITH 2 HOUR FIRE RATING FOR WALL AND CEILING
- 3.) "Z" HANGER BRACKET USED TO ATTACH BOX TO FACE OF WOOD OR STEEL STUDS. SECURE WITH APPROVED FASTENERS PER THE APPLICATION REQUIREMENTS.
- 4.) 6 SPEED KLAMPS FACTORY INSTALLED



® **ALLIED MOULDED PRODUCTS**  
BRYAN, OHIO

The Original Fiber Glass Outlet Box

PRODUCT SERIES

**THREE GANG 46.0 CU. IN.**

Part No.

**3300-Z2K**

**CONFIDENTIAL**

THIS MATERIAL IS OWNED BY THE ALLIED MOULDED PRODUCTS COMPANY, IS DISCLOSED IN CONFIDENCE, AND IS NOT TO BE REPRODUCED OR DISTRIBUTED WITHOUT PRIOR WRITTEN PERMISSION FROM ALLIED MOULDED PRODUCTS.