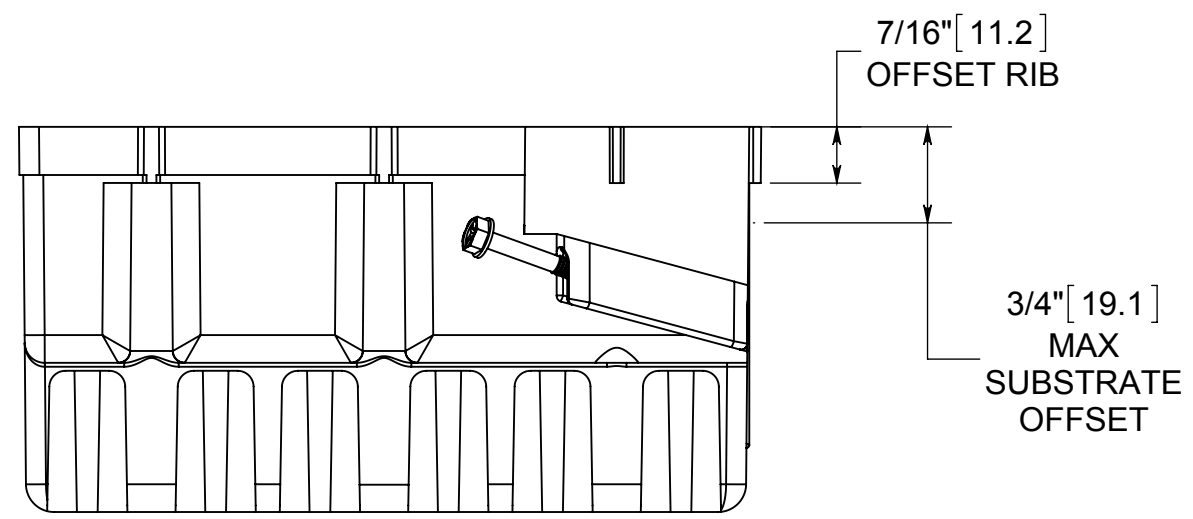
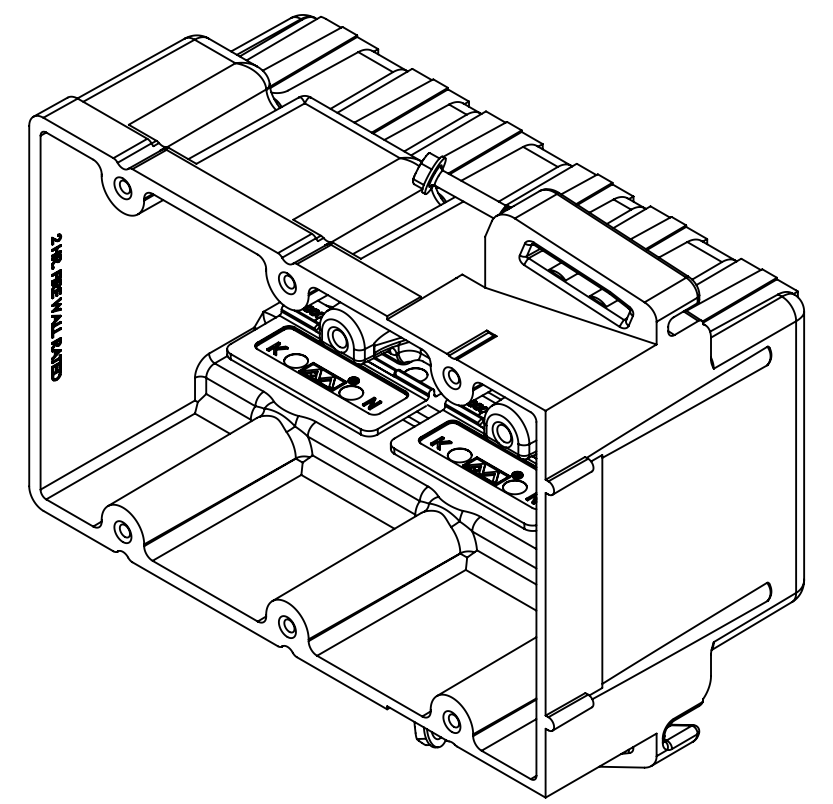
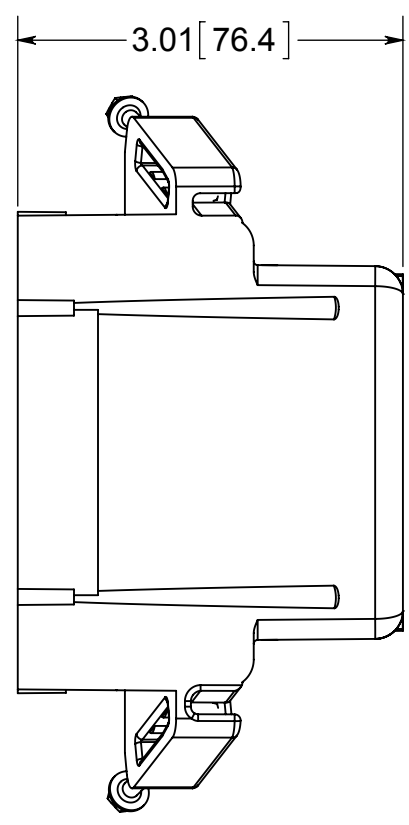
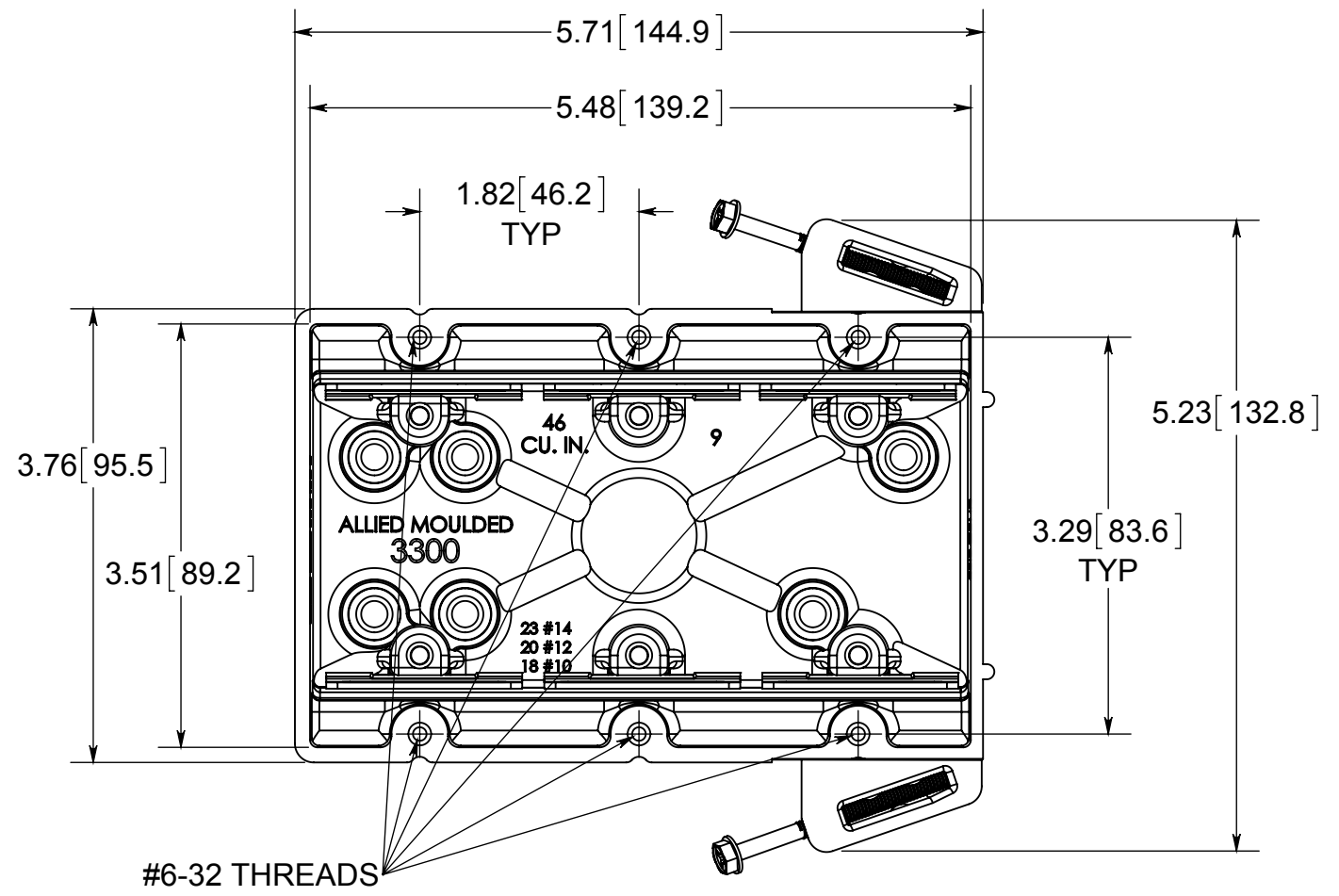


fiberglass BOX™



- NOTES:
 1.) BOX MATERIAL: FIBERGLASS REINFORCED POLYESTER, SCREW MATERIAL: PLATED CARBON STEEL, SPEED KLAMP MATERIAL: PVC
 2.) UL LISTED WITH 2 HOUR FIRE RATING FOR WALL
 3.) 6 SPEED KLAMPS FACTORY INSTALLED



® ALLIED MOULDED PRODUCTS
 BRYAN, OHIO

The Original Fiber Glass Outlet Box

PRODUCT SERIES

THREE GANG 46.0 CU. IN.

Part No.

3300-SSK

CONFIDENTIAL
 THIS MATERIAL IS OWNED BY THE ALLIED MOULDED PRODUCTS COMPANY, IS DISCLOSED IN CONFIDENCE, AND IS NOT TO BE REPRODUCED OR DISTRIBUTED WITHOUT PRIOR WRITTEN PERMISSION FROM ALLIED MOULDED PRODUCTS.