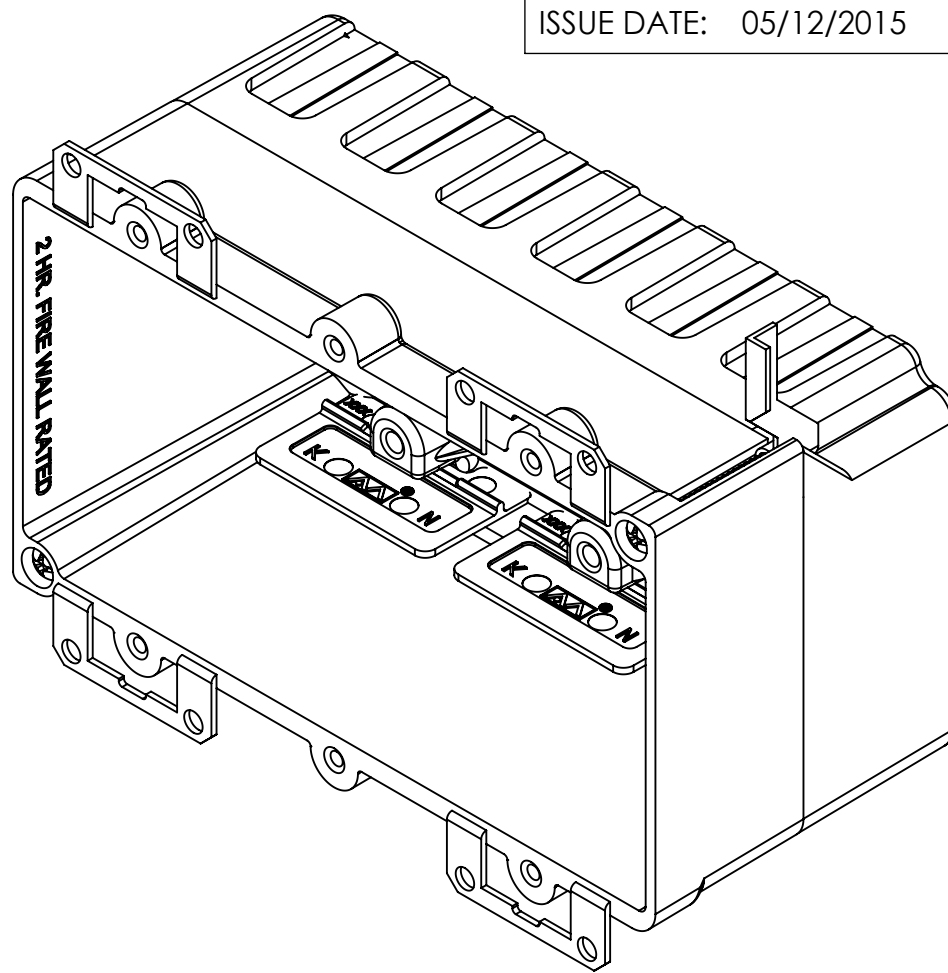
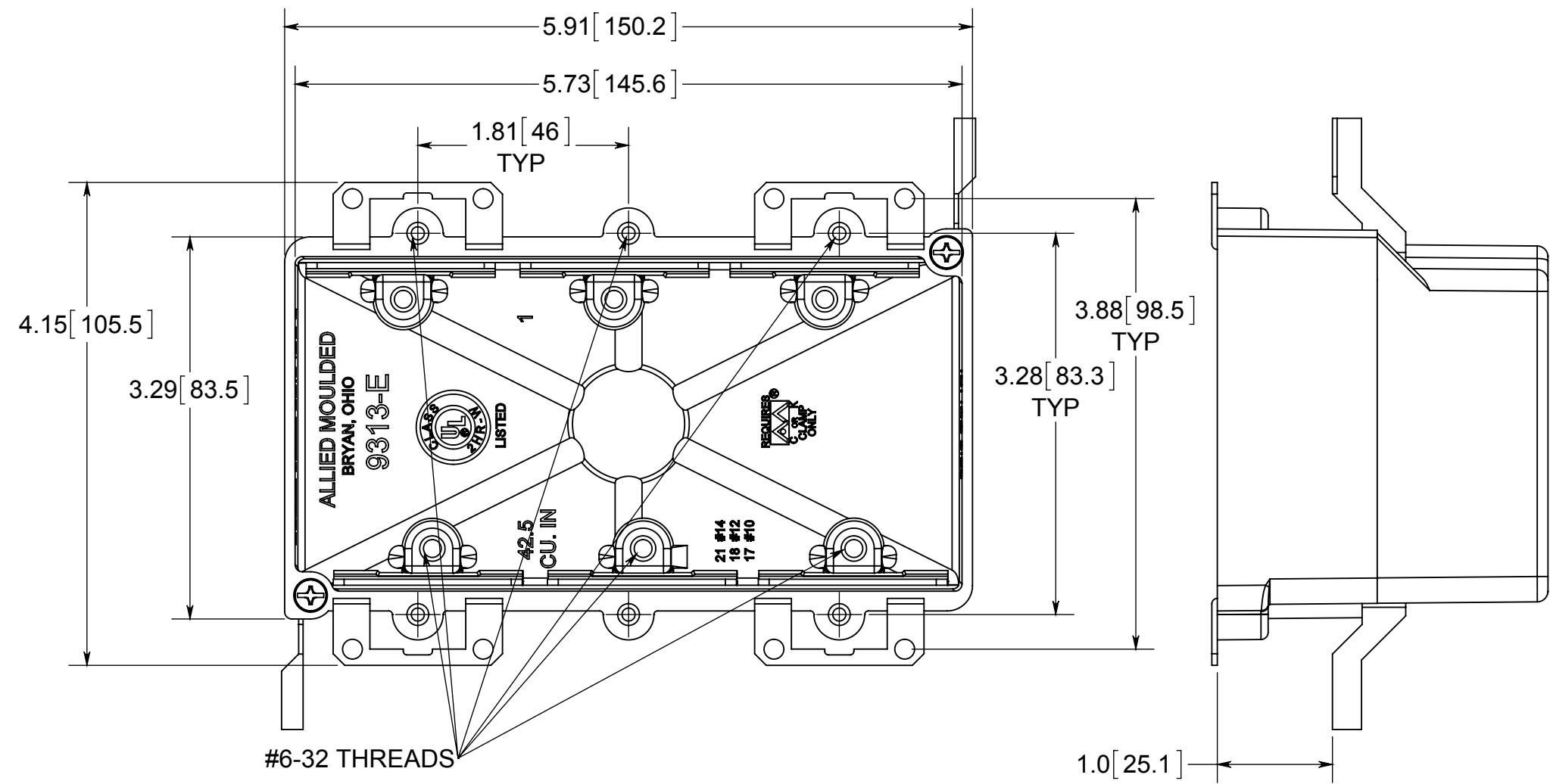
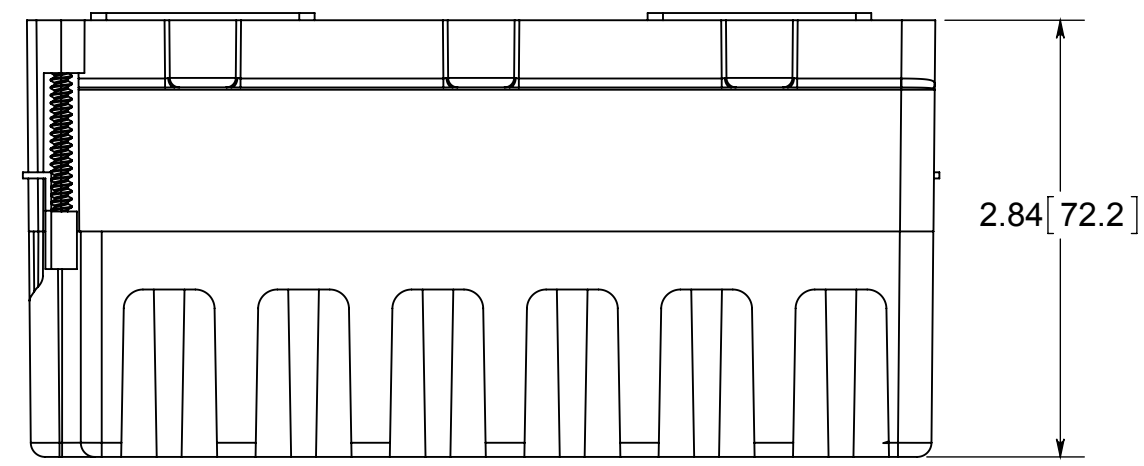


fiberglass BOX™

ISSUE DATE: 05/12/2015



- NOTES:
- 1.) BOX MATERIAL: FIBERGLASS REINFORCED POLYESTER, WING MATERIAL: GALVANIZED STEEL WING SCREW MATERIAL: ZINC COATED STEEL, EAR MATERIAL: GALVANIZED STEEL, SPEED KLAMP MATERIAL: PVC
 - 2.) UL LISTED WITH 2 HOUR FIRE RATING FOR WALL
 - 3.) 6 SPEED KLAMPS FACTORY INSTALLED



 **ALLIED MOULDED PRODUCTS**
BRYAN, OHIO
The Original Fiber Glass Outlet Box

PRODUCT SERIES
OLD WORK THREE GANG 42.5 CU. IN.

Part No.
9313-EWK

CONFIDENTIAL
THIS MATERIAL IS OWNED BY THE ALLIED MOULDED PRODUCTS COMPANY, IS DISCLOSED IN CONFIDENCE, AND IS NOT TO BE REPRODUCED OR DISTRIBUTED WITHOUT PRIOR WRITTEN PERMISSION FROM ALLIED MOULDED PRODUCTS.