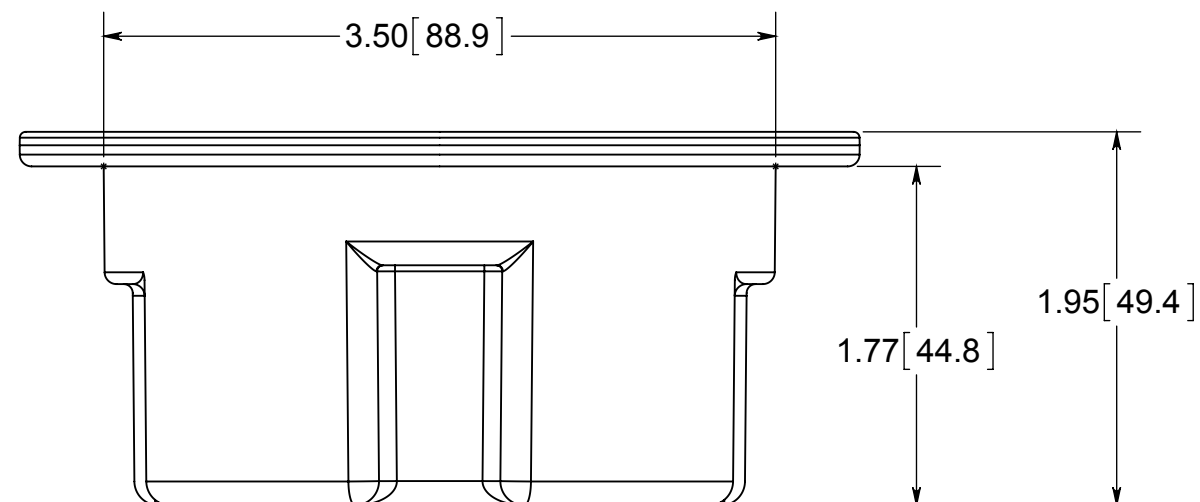
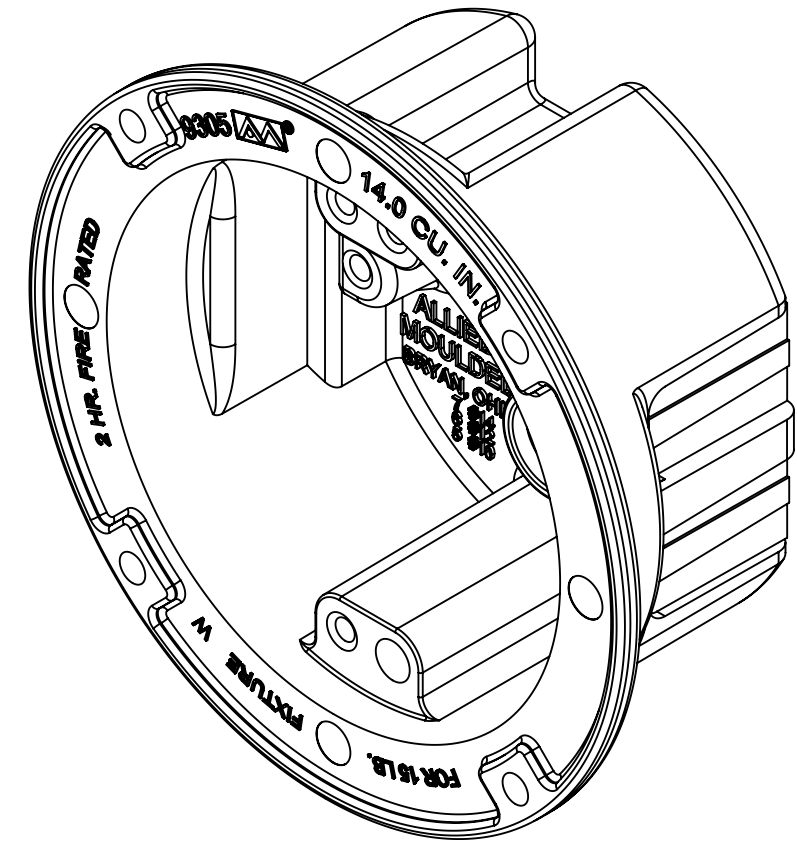
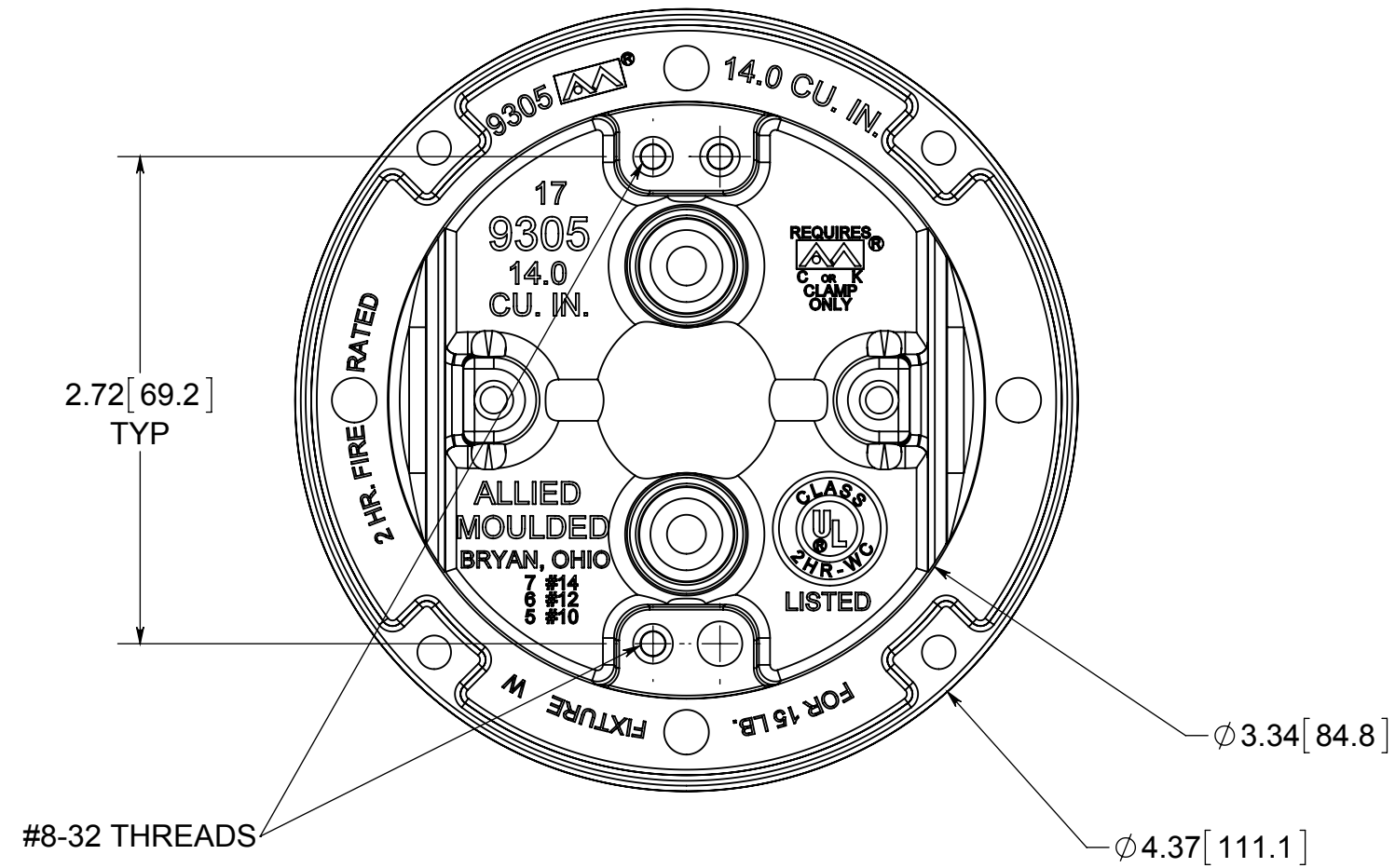


fiberglass BOX™

ISSUE DATE: 05/13/2015



- NOTES:
 1.) BOX MATERIAL: FIBERGLASS REINFORCED POLYESTER, SPEED KLAMP MATERIAL: PVC
 2.) UL LISTED WITH 2 HOUR FIRE RATING FOR WALL AND CEILING
 3.) SPEED KLAMPS BULK PACKED

 **ALLIED MOULDED PRODUCTS**
 BRYAN, OHIO
 The Original Fiber Glass Outlet Box

PRODUCT SERIES
 3-1/2" OLD WORK ROUND 14.0 CU. IN.

Part No.
9305

CONFIDENTIAL
 THIS MATERIAL IS OWNED BY THE ALLIED MOULDED PRODUCTS COMPANY, IS DISCLOSED IN CONFIDENCE, AND IS NOT TO BE REPRODUCED OR DISTRIBUTED WITHOUT PRIOR WRITTEN PERMISSION FROM ALLIED MOULDED PRODUCTS.