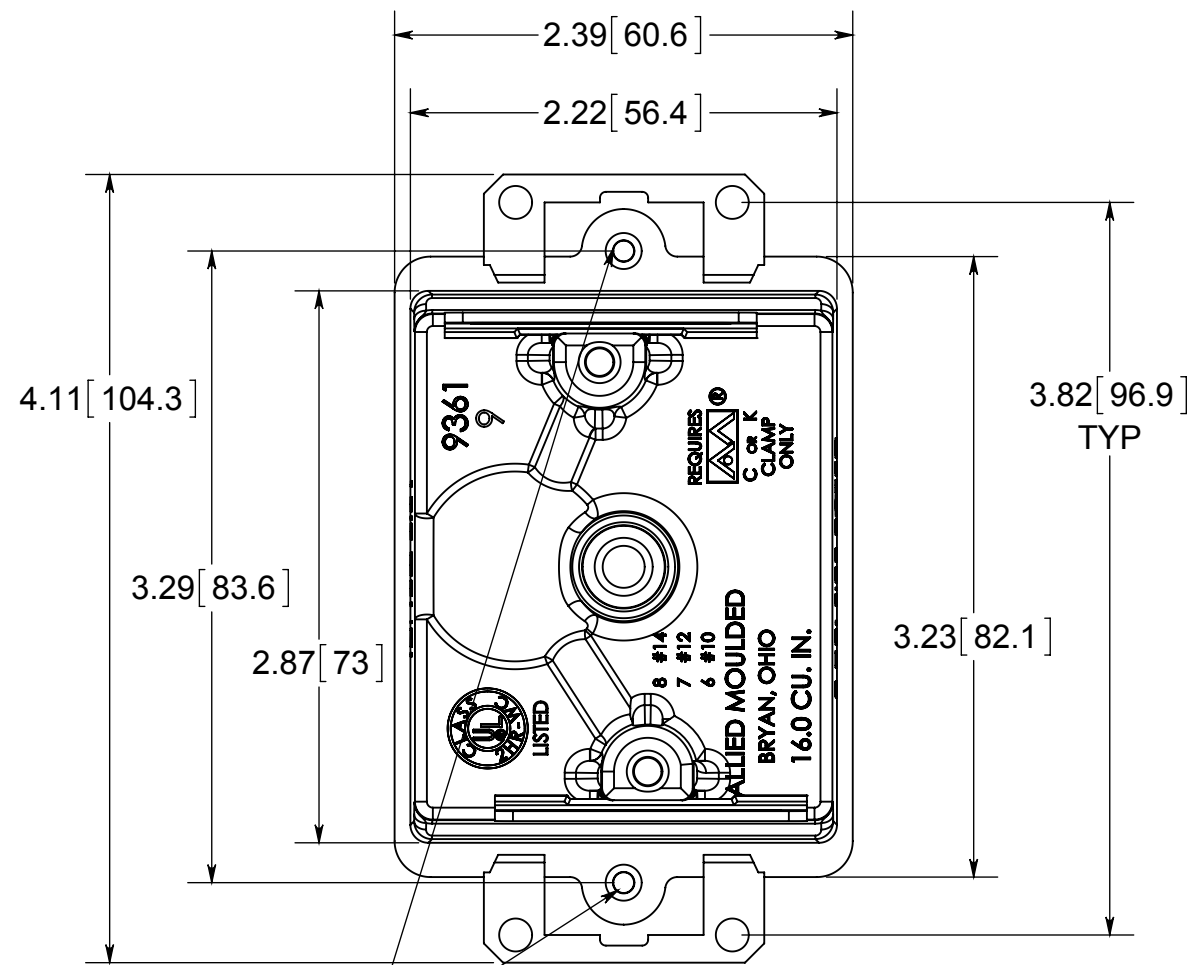
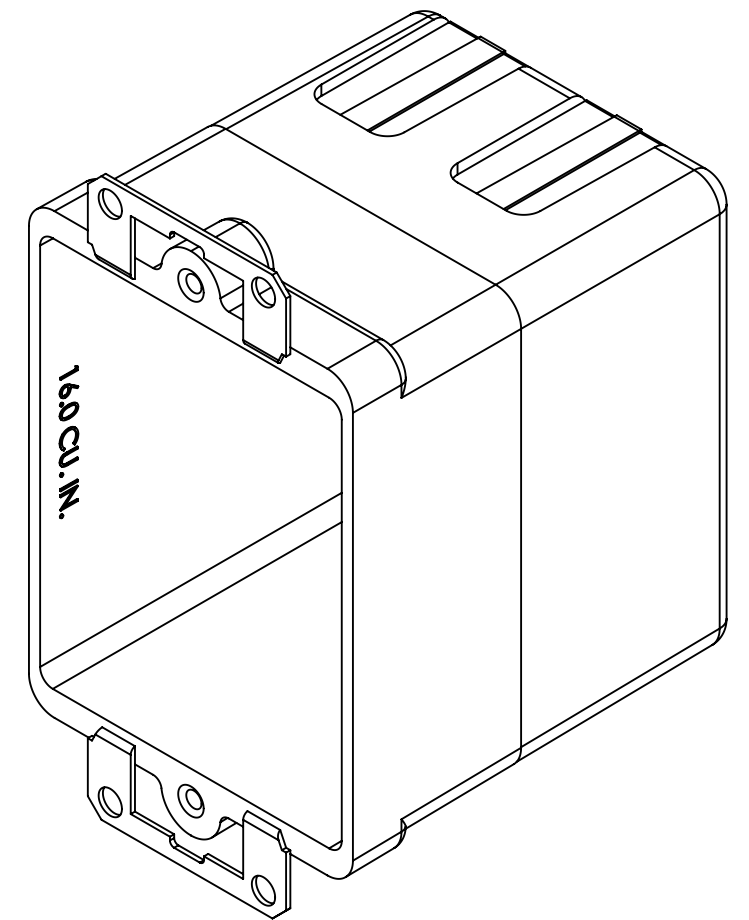
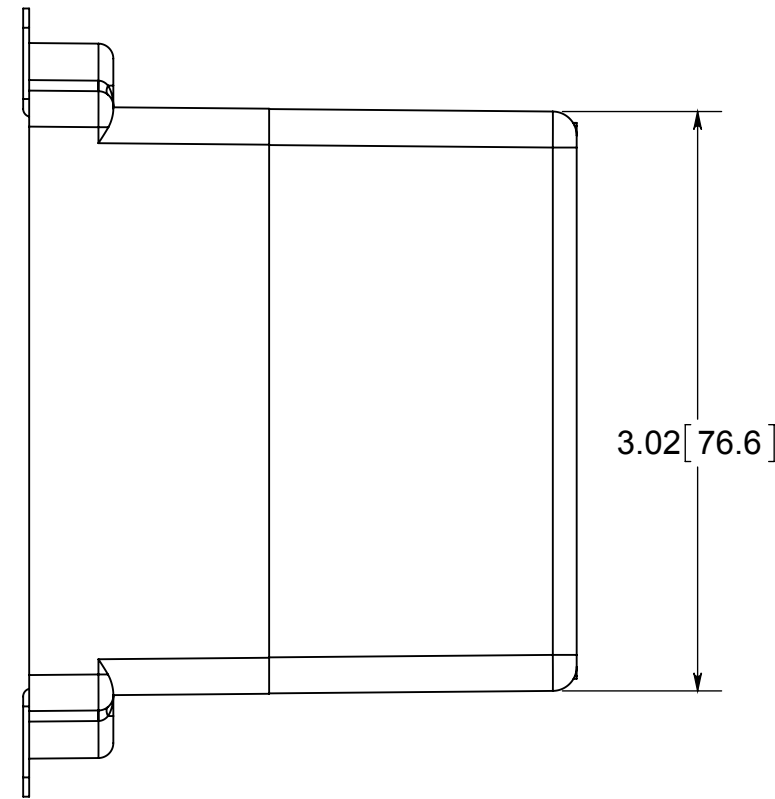
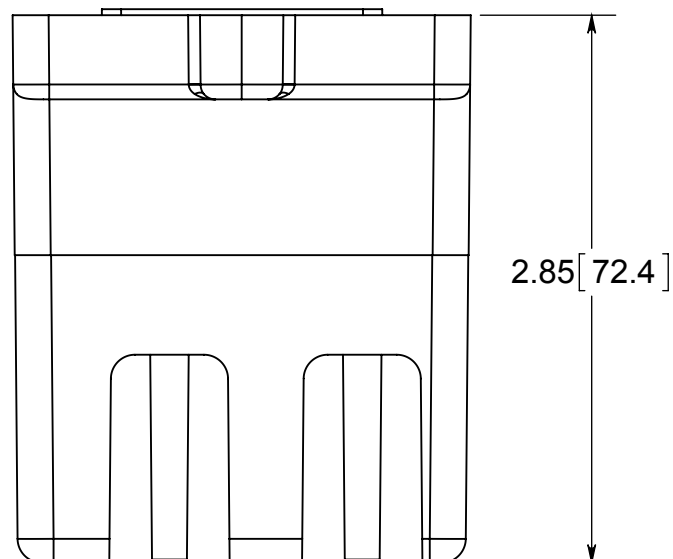


# fiberglass BOX™

ISSUE DATE: 05/20/2015



#6-32 THREADS



**NOTES:**

- 1.) BOX MATERIAL: FIBERGLASS REINFORCED POLYESTER, EAR MATERIAL: GALVANIZED STEEL, SPEED KLAMP MATERIAL: PVC
- 2.) UL LISTED WITH 2 HOUR FIRE RATING FOR WALL
- 3.) SPEED KLAMPS FACTORY INSTALLED



**ALLIED MOULDED PRODUCTS**  
 BRYAN, OHIO

The Original Fiber Glass Outlet Box

PRODUCT SERIES

OLD WORK SINGLE GANG 16.0 CU. IN.

Part No.

**9361-EK**

**CONFIDENTIAL**

THIS MATERIAL IS OWNED BY THE ALLIED MOULDED PRODUCTS COMPANY, IS DISCLOSED IN CONFIDENCE, AND IS NOT TO BE REPRODUCED OR DISTRIBUTED WITHOUT PRIOR WRITTEN PERMISSION FROM ALLIED MOULDED PRODUCTS.