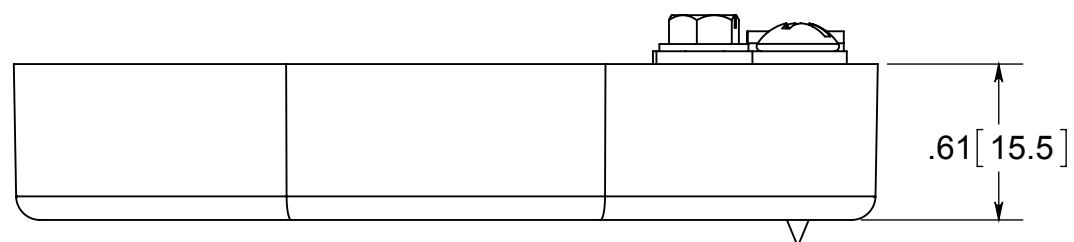
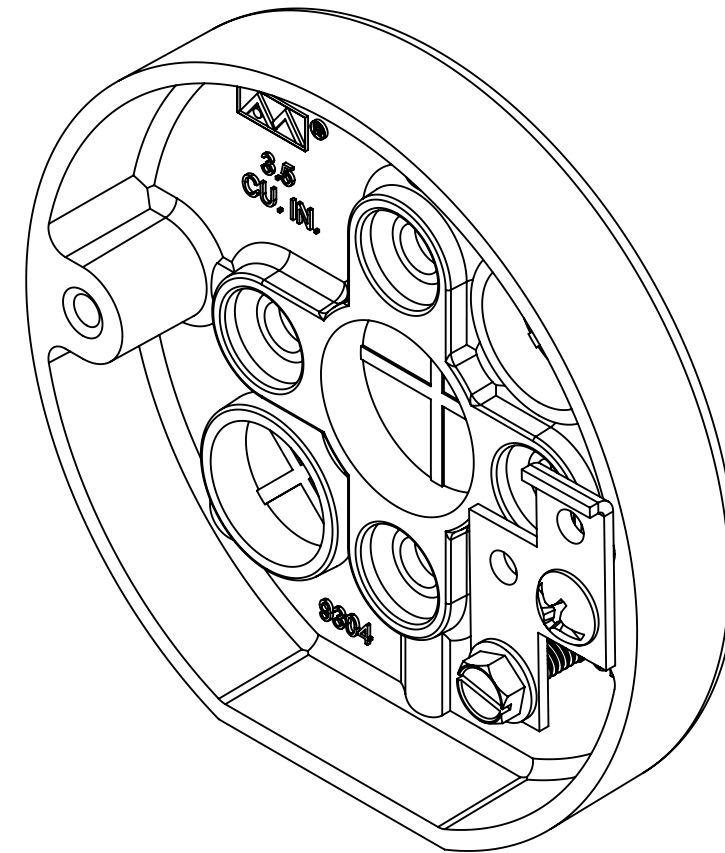
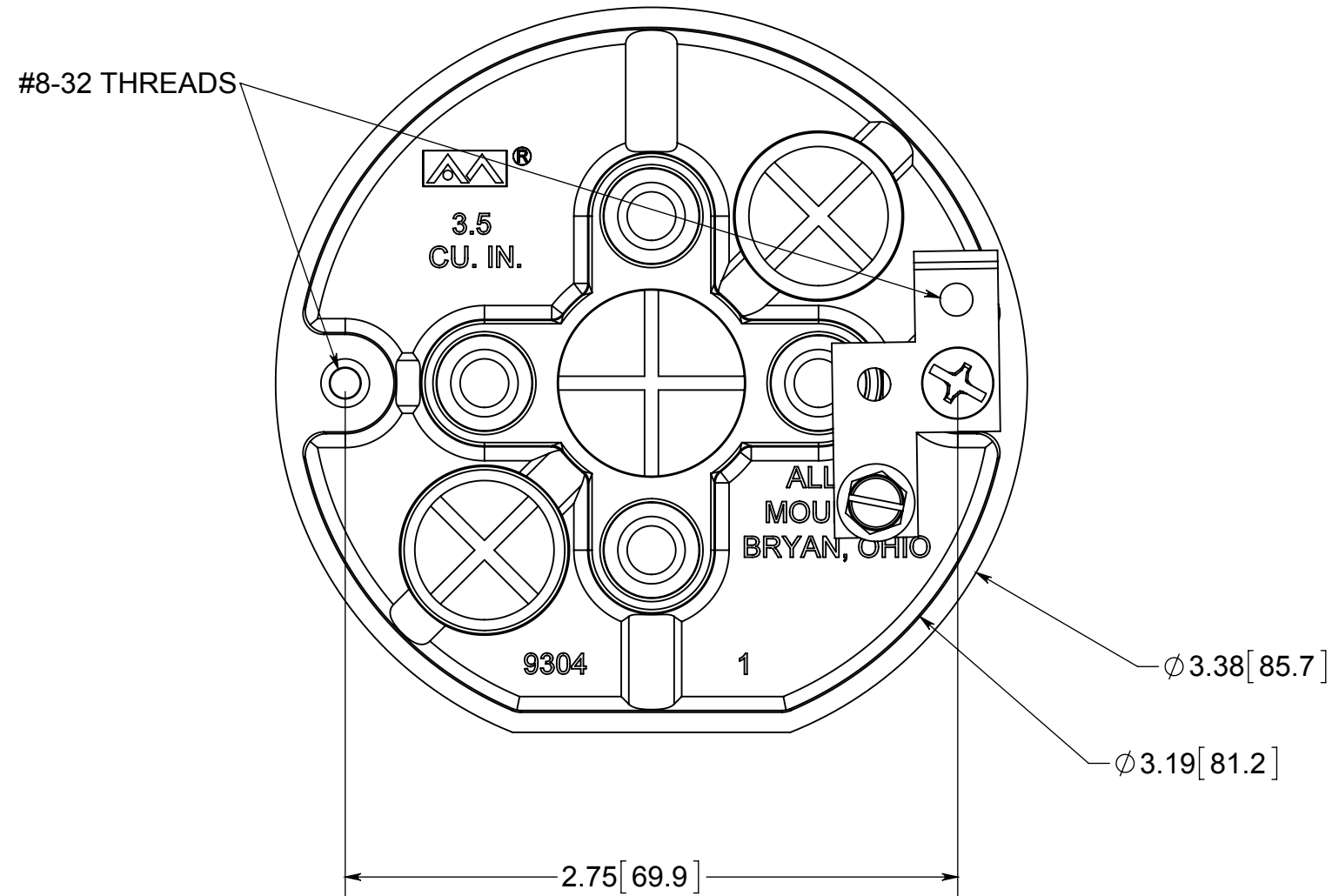


# fiberglass BOX™

ISSUE DATE: 05/20/2015



NOTES:  
 1.) BOX MATERIAL: FIBERGLASS REINFORCED POLYESTER, GROUND STRAP MATERIAL: GALVANIZED STEEL, GROUND MOUNTING SCREW MATERIAL: ZINC PLATED STEEL, GROUND SCREW MATERIAL: GREEN ZINC PLATED STEEL  
 2.) NOT UL LISTED. SEE NEC 2008 410.10.

 **ALLIED MOULDED PRODUCTS**  
 BRYAN, OHIO  
 The Original Fiber Glass Outlet Box

PRODUCT SERIES  
 3-1/2" OLD WORK ROUND 3.5 CU. IN.

Part No.  
**9304-G**

**CONFIDENTIAL**  
 THIS MATERIAL IS OWNED BY THE ALLIED MOULDED PRODUCTS COMPANY, IS DISCLOSED IN CONFIDENCE, AND IS NOT TO BE REPRODUCED OR DISTRIBUTED WITHOUT PRIOR WRITTEN PERMISSION FROM ALLIED MOULDED PRODUCTS.