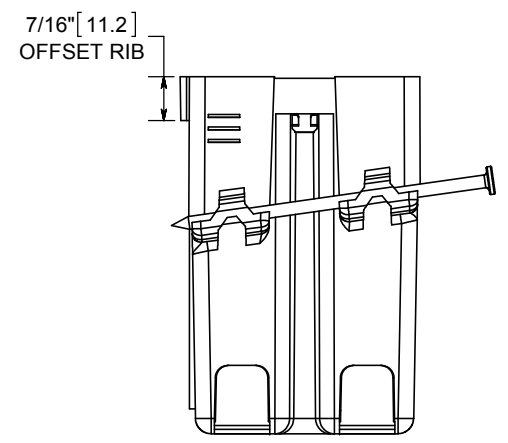
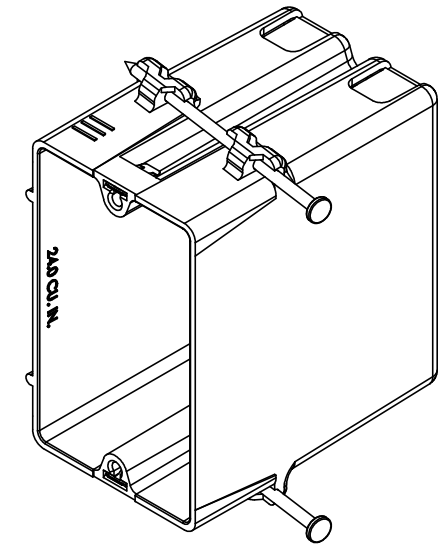
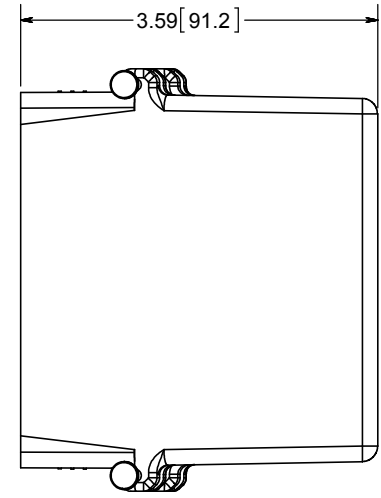
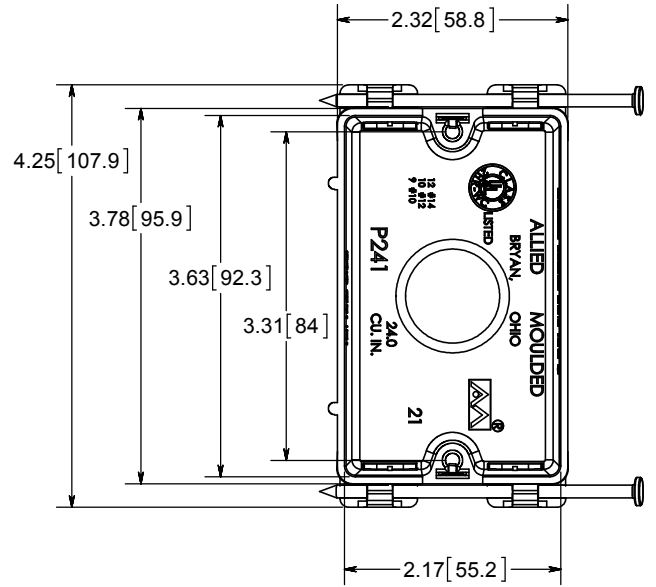



flexBOX.



- NOTES:
1.) BOX MATERIAL: PVC, NAIL MATERIAL: PLATED CARBON STEEL, QUICK THREAD MATERIAL: GALVANIZED STEEL
2.) UL LISTED WITH 2 HOUR FIRE RATING FOR WALL AND CEILING

	<p>ALLIED MOULDED PRODUCTS BRYAN, OHIO</p> <p>The Original Fiber Glass Outlet Box</p>
	<p>PRODUCT SERIES</p> <p>SINGLE GANG 24.0 CU. IN.</p>
<p>Part No.</p> <p>P-241QT</p>	<p>CONFIDENTIAL</p> <p><small>THIS MATERIAL IS OWNED BY THE ALLIED MOULDED PRODUCTS COMPANY. IS DISCLOSED IN CONFIDENCE, AND IS NOT TO BE REPRODUCED OR DISTRIBUTED WITHOUT PRIOR WRITTEN PERMISSION FROM ALLIED MOULDED PRODUCTS.</small></p>