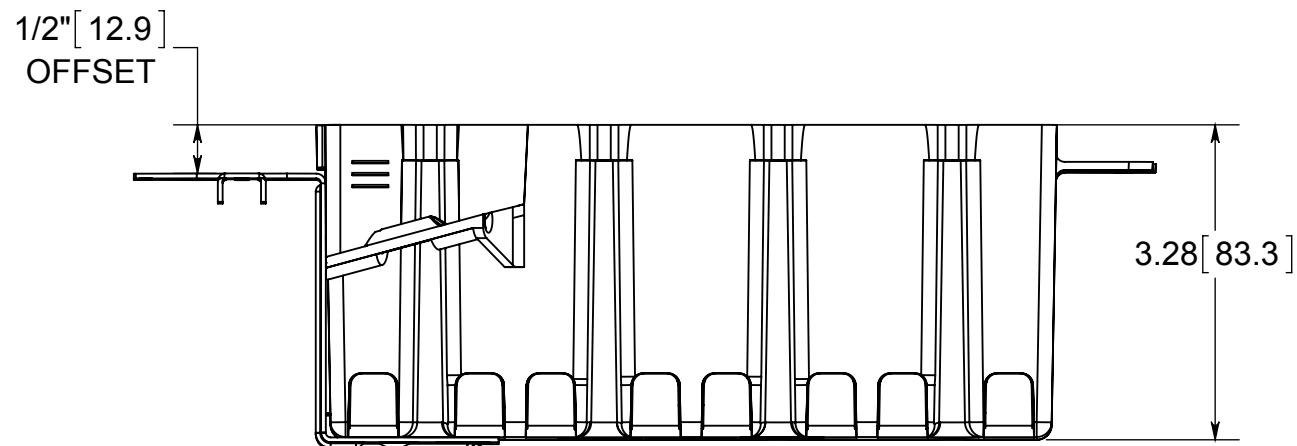
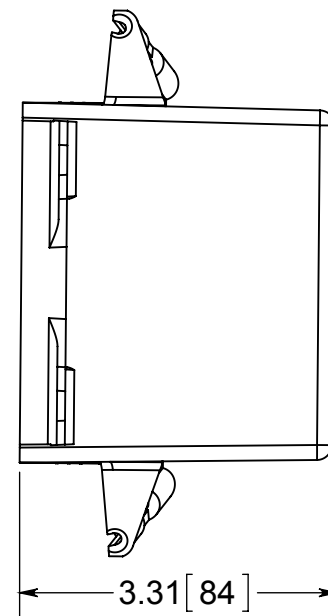
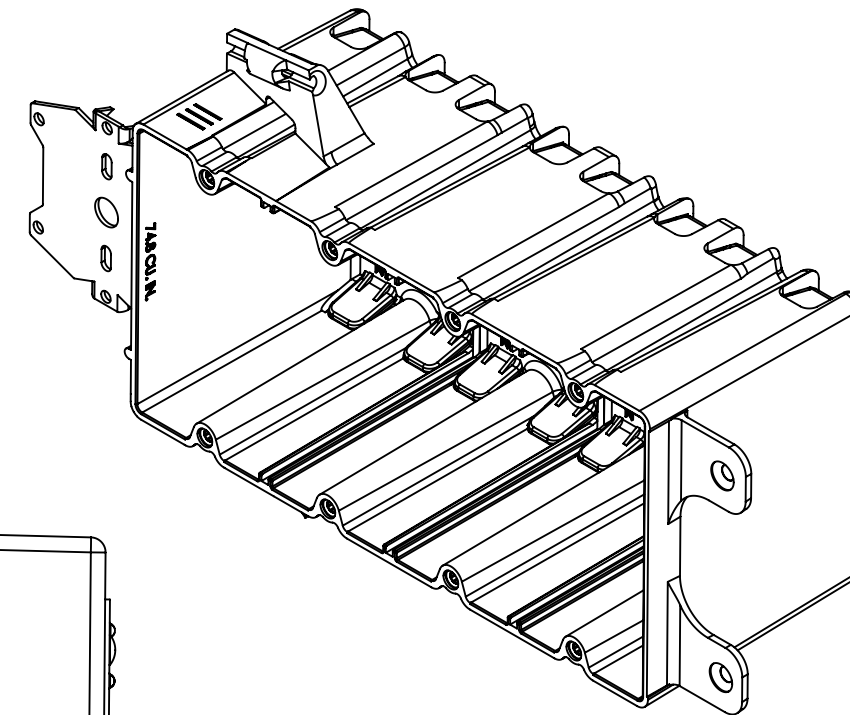
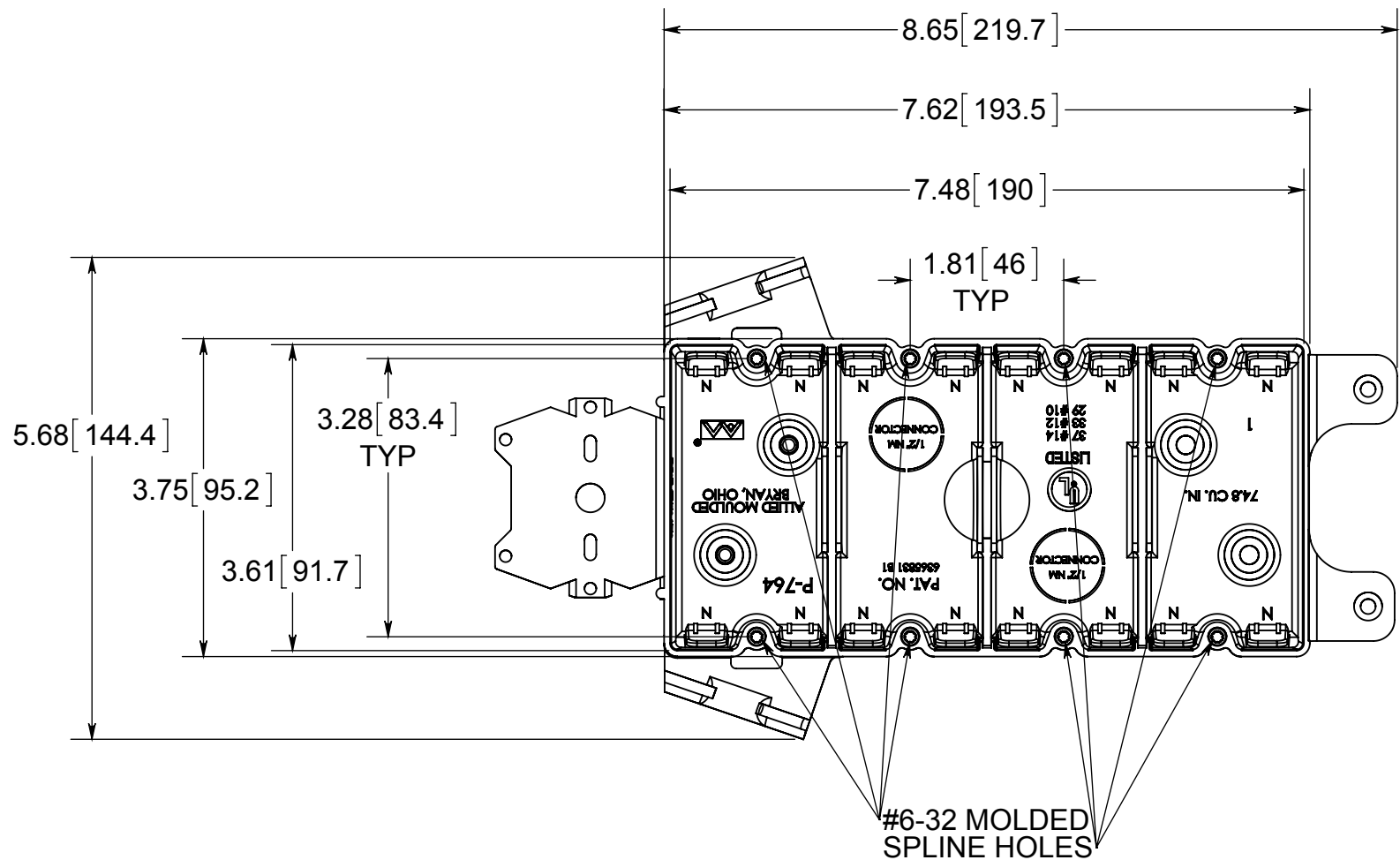


# AlexBOX<sup>®</sup>



- NOTES:
- 1.) BOX MATERIAL: POLYCARBONATE, MOUNTING BRACKET MATERIAL: GALVANIZED STEEL, MOUNTING BRACKET RIVET MATERIAL: ZINC PLATED STEEL
  - 2.) ACCEPTS LVP-2 LOW VOLTAGE PARTITION



**ALLIED MOULDED PRODUCTS**  
BRYAN, OHIO

The Original Fiber Glass Outlet Box

PRODUCT SERIES

FOUR GANG 74.8 CU. IN.

Part No.

**P-764H**

**CONFIDENTIAL**

THIS MATERIAL IS OWNED BY THE ALLIED MOULDED PRODUCTS COMPANY, IS DISCLOSED IN CONFIDENCE, AND IS NOT TO BE REPRODUCED OR DISTRIBUTED WITHOUT PRIOR WRITTEN PERMISSION FROM ALLIED MOULDED PRODUCTS.