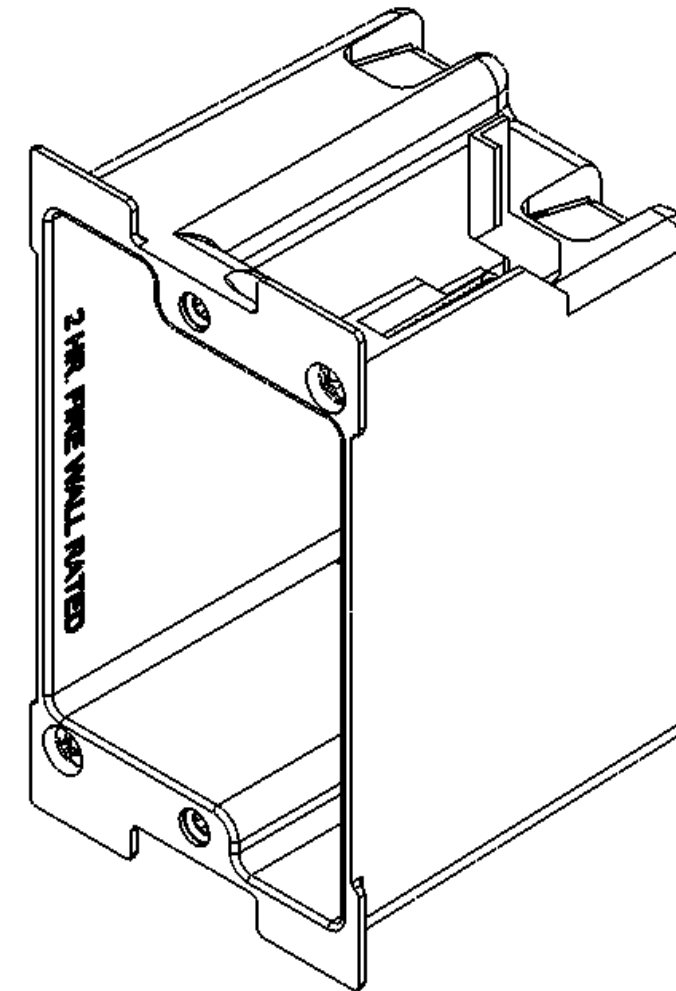
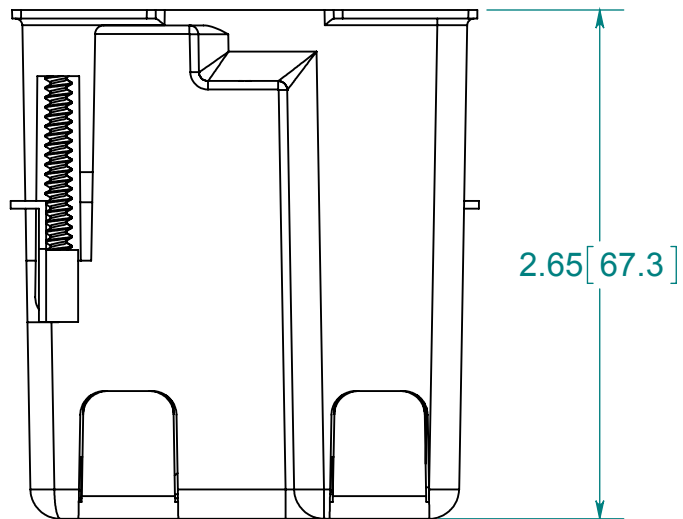
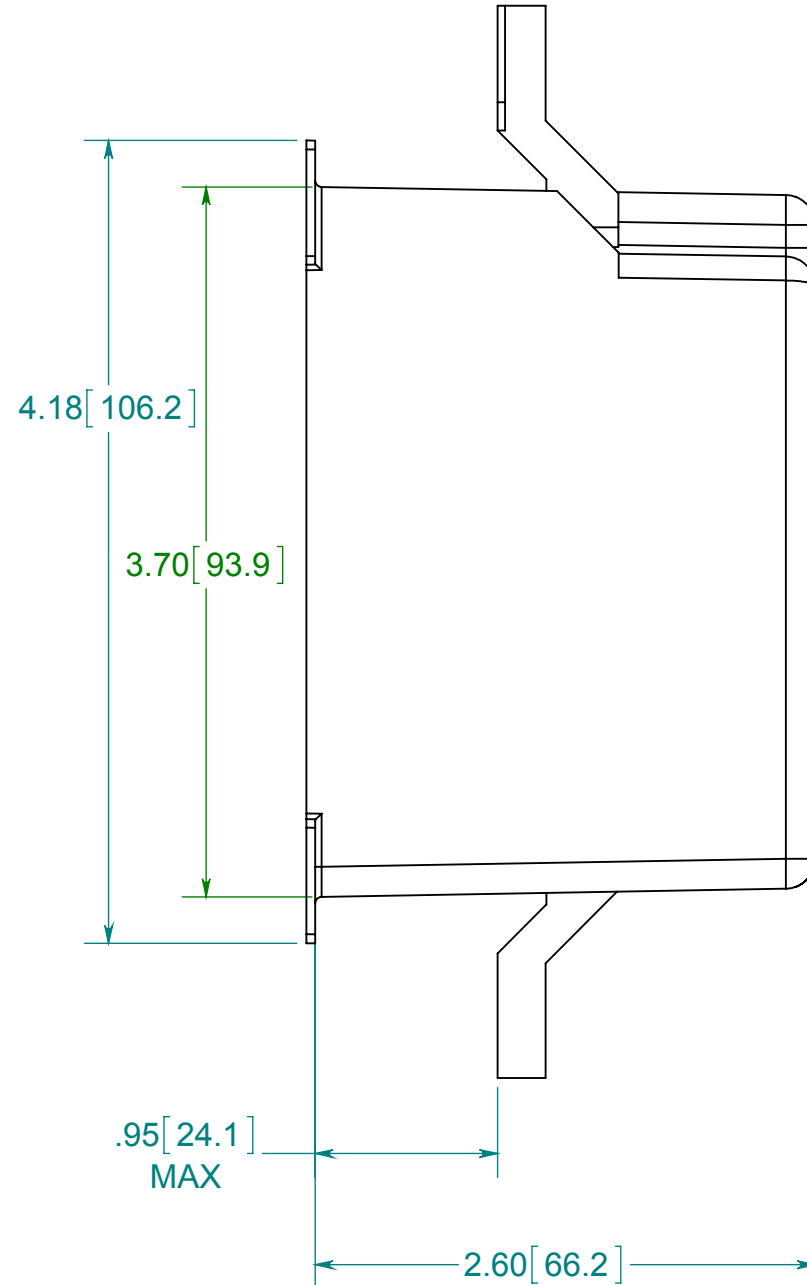
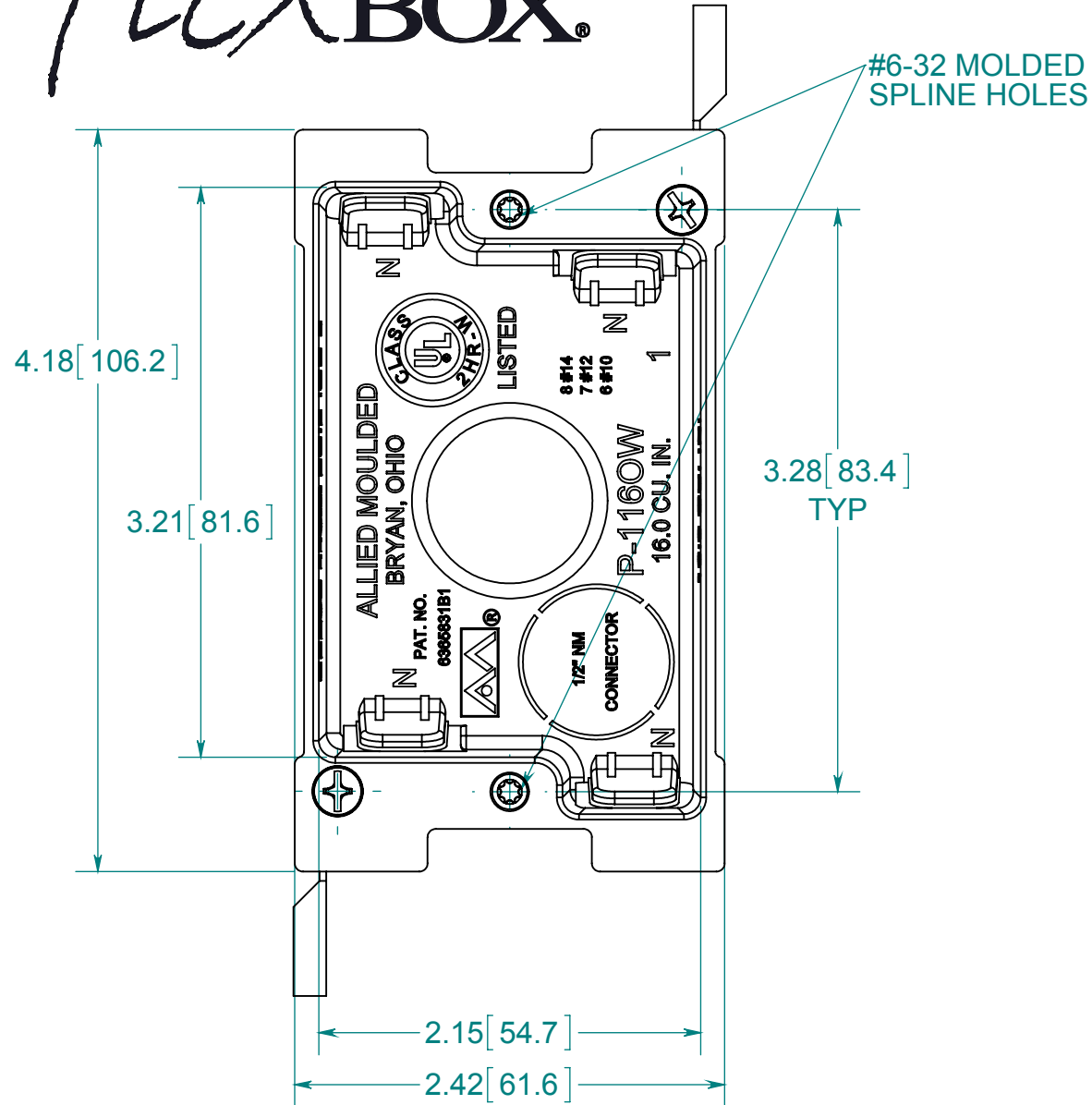


flexBOX®



NOTES:
 1.) BOX MATERIAL: PVC, WING MATERIAL: GALVANIZED STEEL, WING SCREW MATERIAL: ZINC COATED STEEL
 2.) UL LISTED WITH 2 HOUR FIRE RATING FOR WALL



® **ALLIED MOULDED PRODUCTS**
 BRYAN, OHIO

The Original Fiber Glass Outlet Box

PRODUCT SERIES

SINGLE GANG 16.0 CU. IN.

Part No.

P-116OW

CONFIDENTIAL

THIS MATERIAL IS OWNED BY THE ALLIED MOULDED PRODUCTS COMPANY, IS DISCLOSED IN CONFIDENCE, AND IS NOT TO BE REPRODUCED OR DISTRIBUTED WITHOUT PRIOR WRITTEN PERMISSION FROM ALLIED MOULDED PRODUCTS.