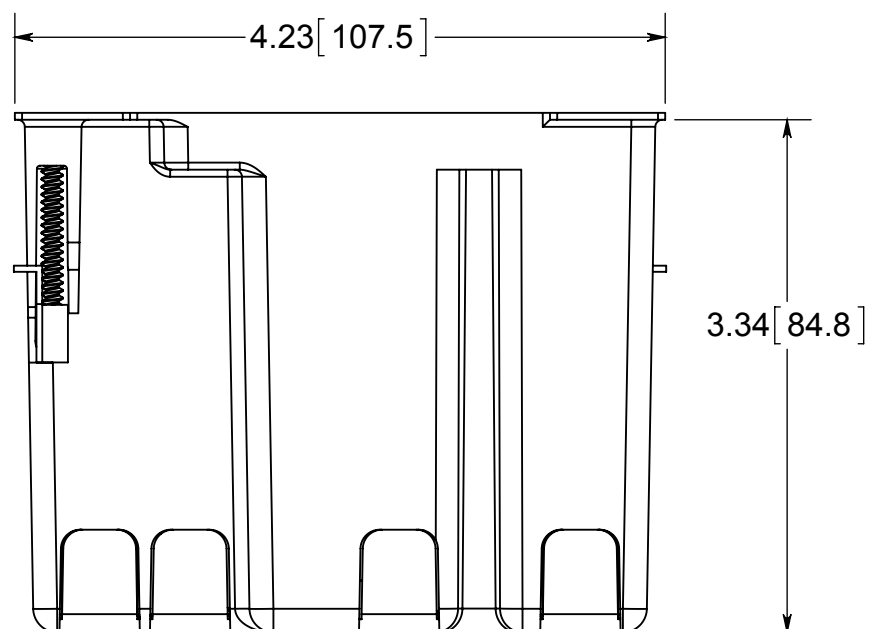
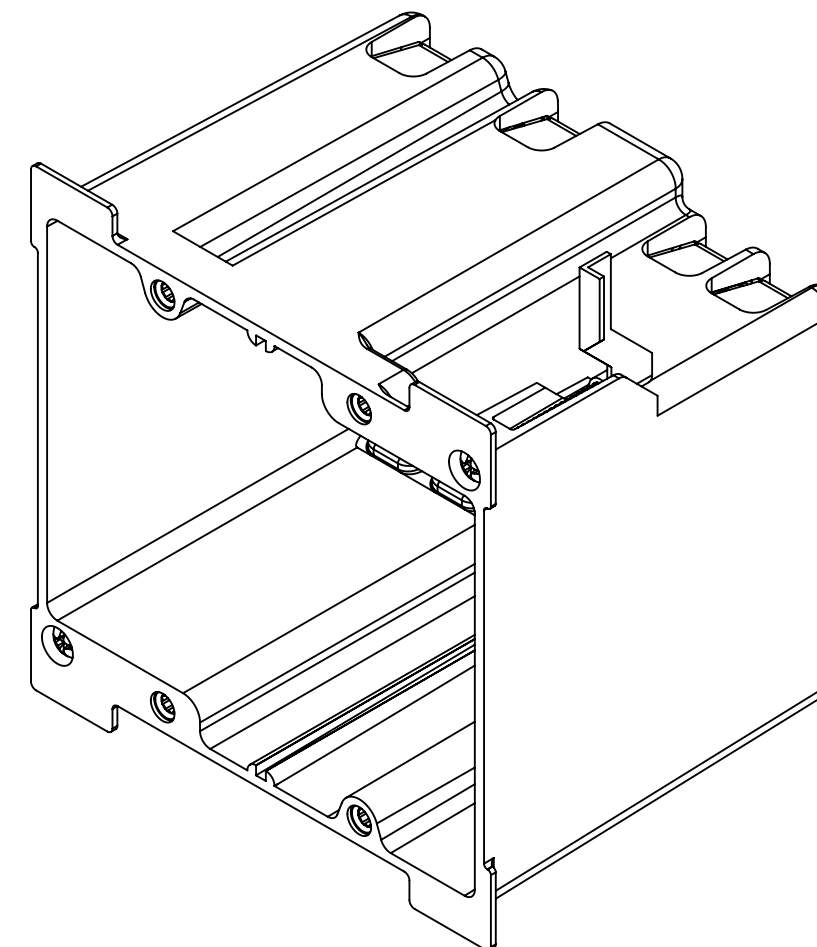
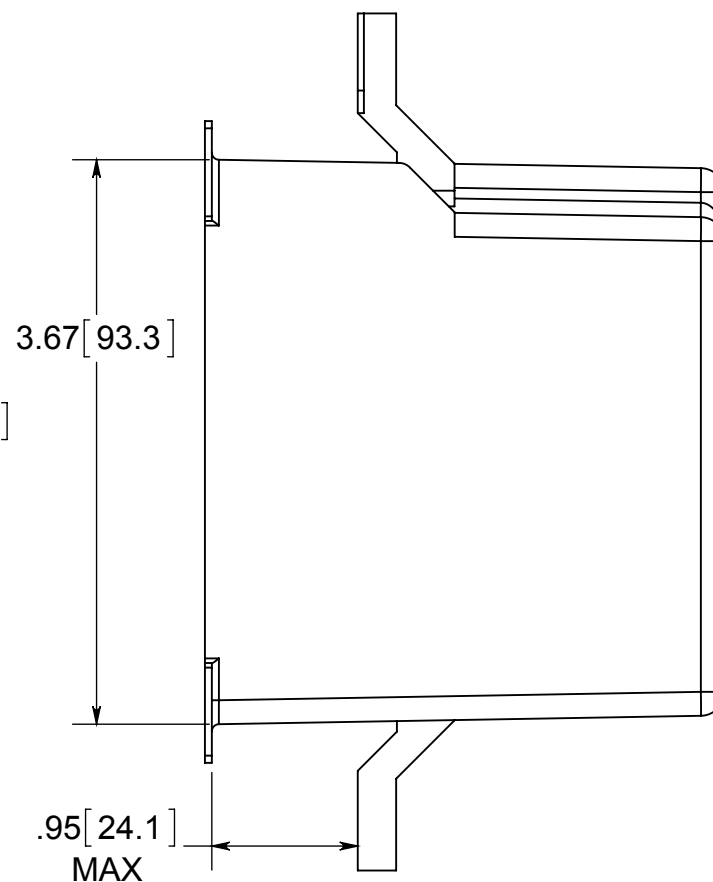
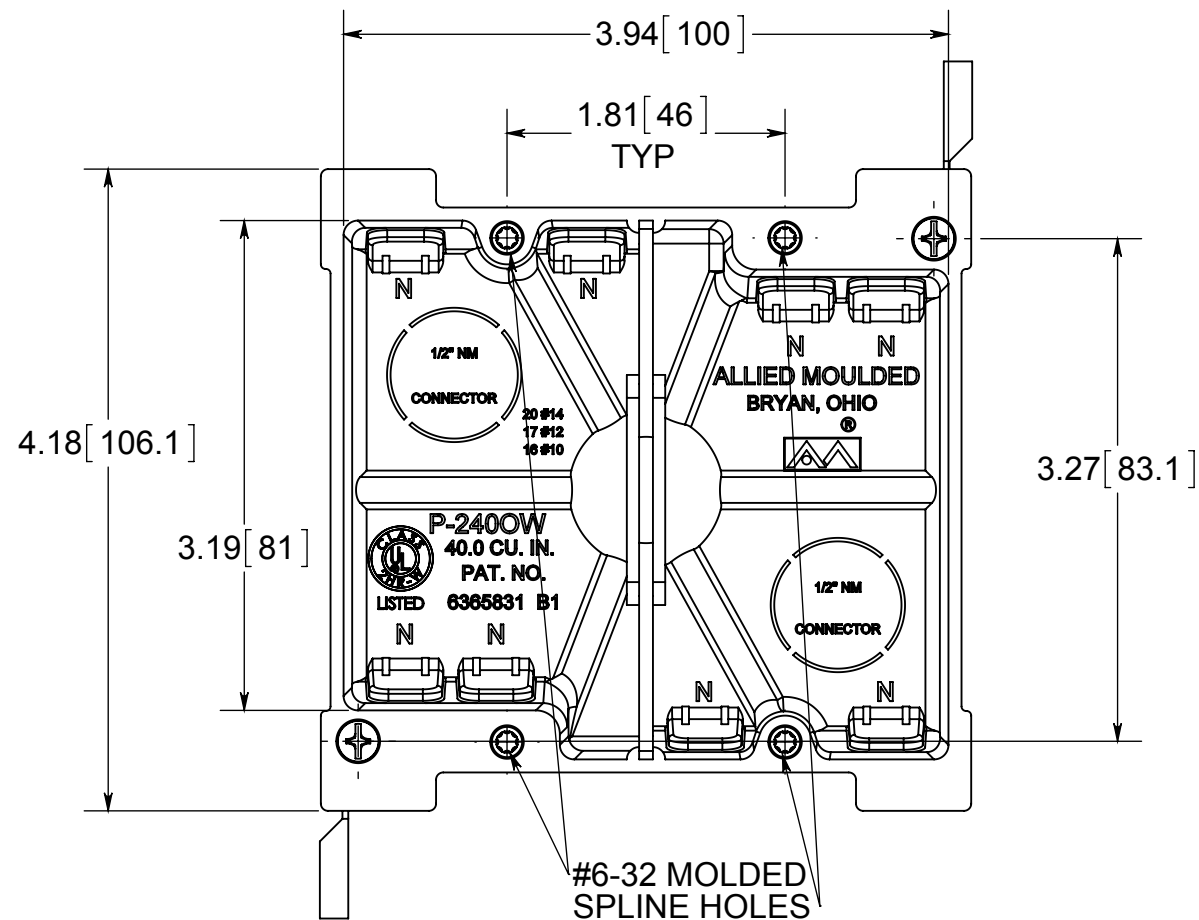


AlexBOX[®]

ISSUE DATE: 05/18/2015



- NOTES:
1.) BOX MATERIAL: POLYCARBONATE, WING MATERIAL: GALVANIZED STEEL, WING SCREW MATERIAL: ZINC COATED STEEL, EAR MATERIAL: GALVANIZED STEEL
2.) UL LISTED WITH 2 HOUR FIRE RATING FOR WALL
3.) ACCEPTS LVP-2 LOW VOLTAGE PARTITION

 **ALLIED MOULDED PRODUCTS**
BRYAN, OHIO
The Original Fiber Glass Outlet Box

PRODUCT SERIES

TWO GANG 40.0 CU. IN

Part No.

P-2400W

CONFIDENTIAL

THIS MATERIAL IS OWNED BY THE ALLIED MOULDED PRODUCTS COMPANY, IS DISCLOSED IN CONFIDENCE, AND IS NOT TO BE REPRODUCED OR DISTRIBUTED WITHOUT PRIOR WRITTEN PERMISSION FROM ALLIED MOULDED PRODUCTS.