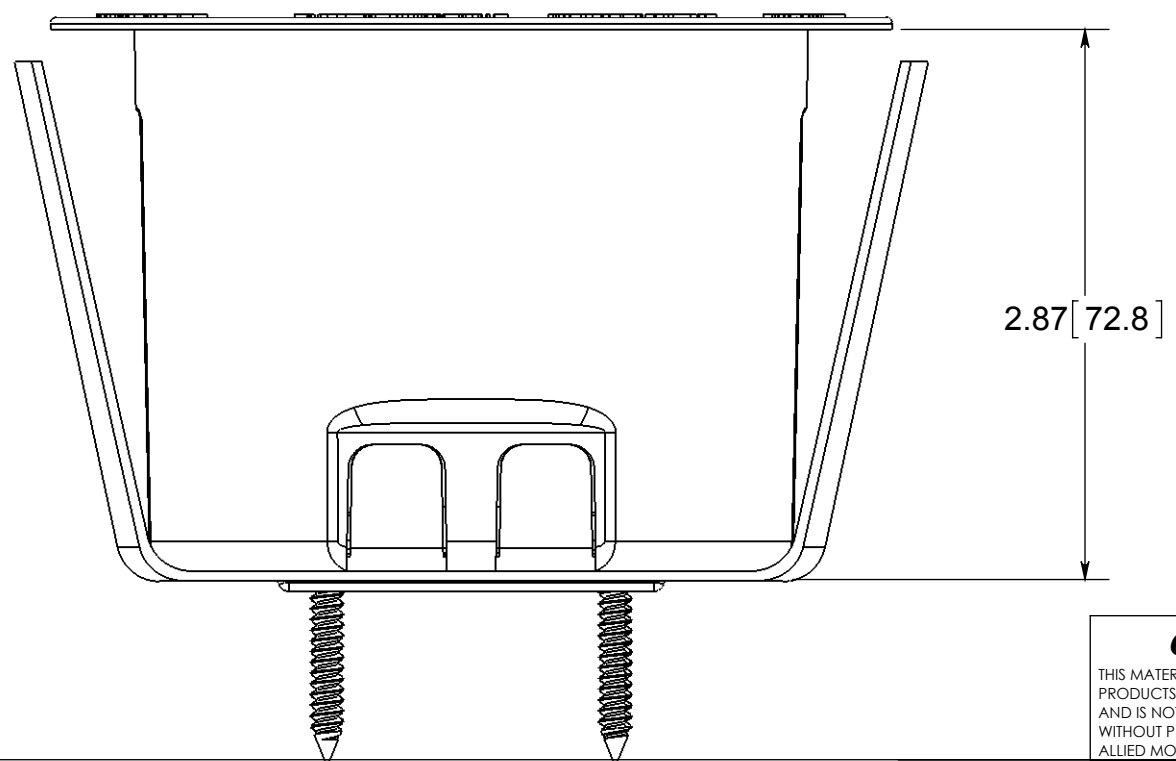
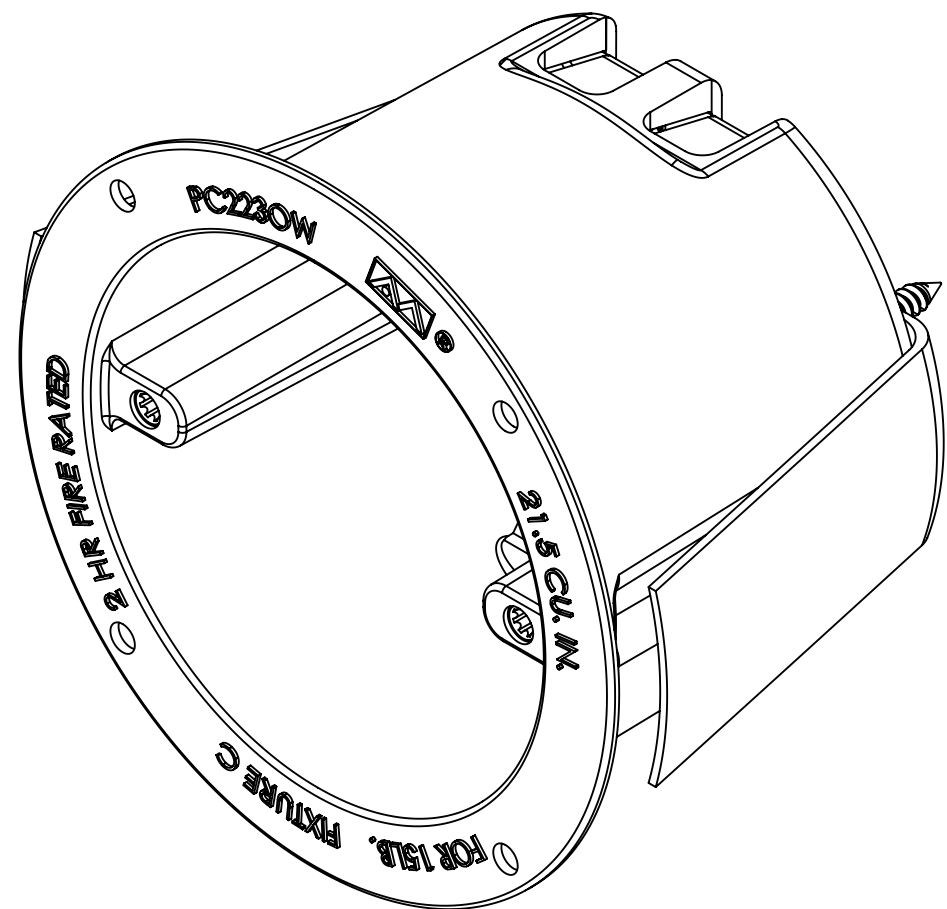
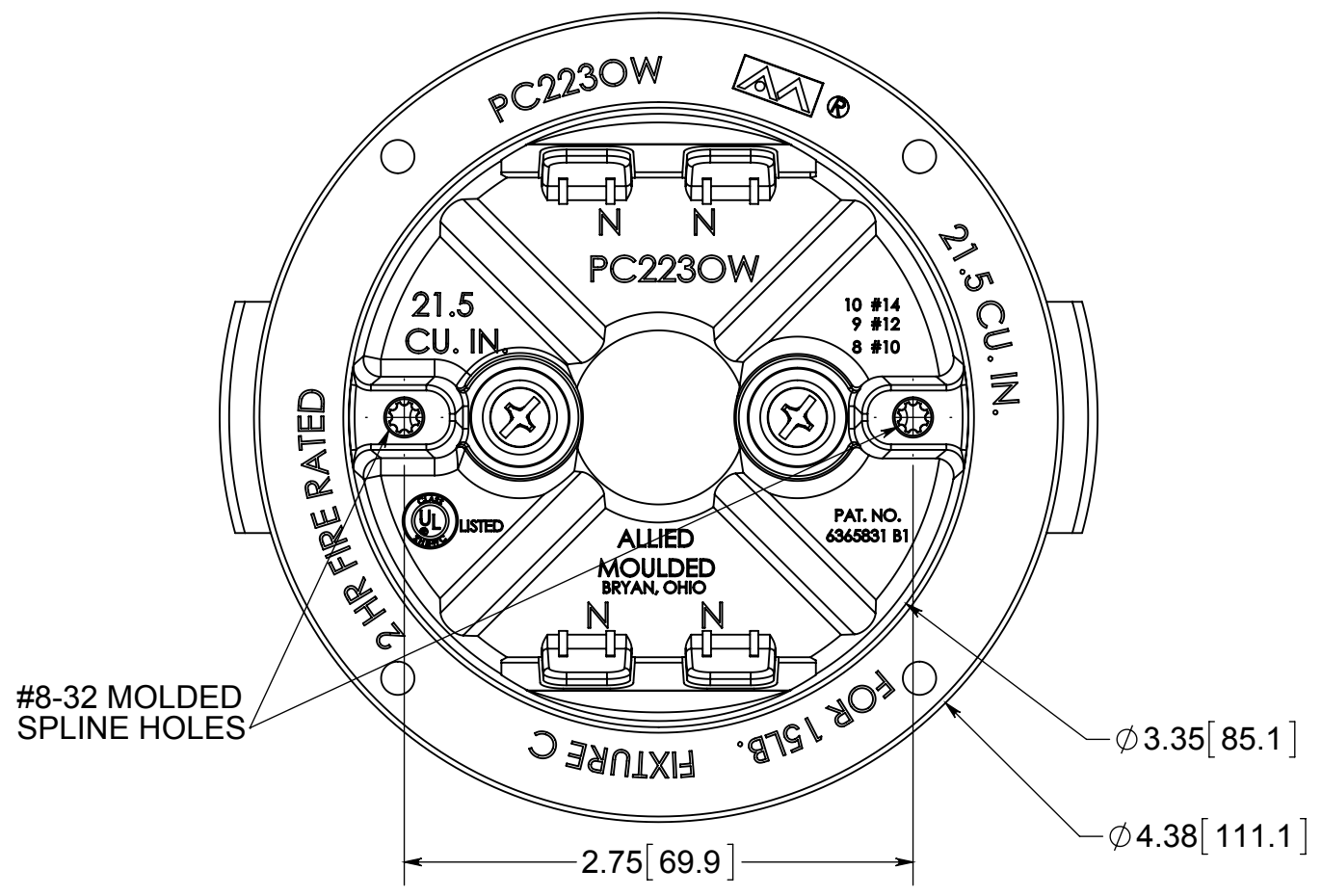


flexBOX[®]

ISSUE DATE: 05/15/2015



NOTES:
 1.) BOX MATERIAL: POLYCARBONATE, SNAP BRACKET MATERIAL: GALVANIZED STEEL, SNAP BRACKET SCREW MATERIAL: ZINC PLATED STEEL
 2.) UL LISTED WITH 2 HOUR FIRE RATING FOR WALL AND CEILING

 **ALLIED MOULDED PRODUCTS**
 BRYAN, OHIO
 The Original Fiber Glass Outlet Box

PRODUCT SERIES
 3-1/2" ROUND 21.5 CU.IN.

Part No.
PC2230W

CONFIDENTIAL
 THIS MATERIAL IS OWNED BY THE ALLIED MOULDED PRODUCTS COMPANY, IS DISCLOSED IN CONFIDENCE, AND IS NOT TO BE REPRODUCED OR DISTRIBUTED WITHOUT PRIOR WRITTEN PERMISSION FROM ALLIED MOULDED PRODUCTS.