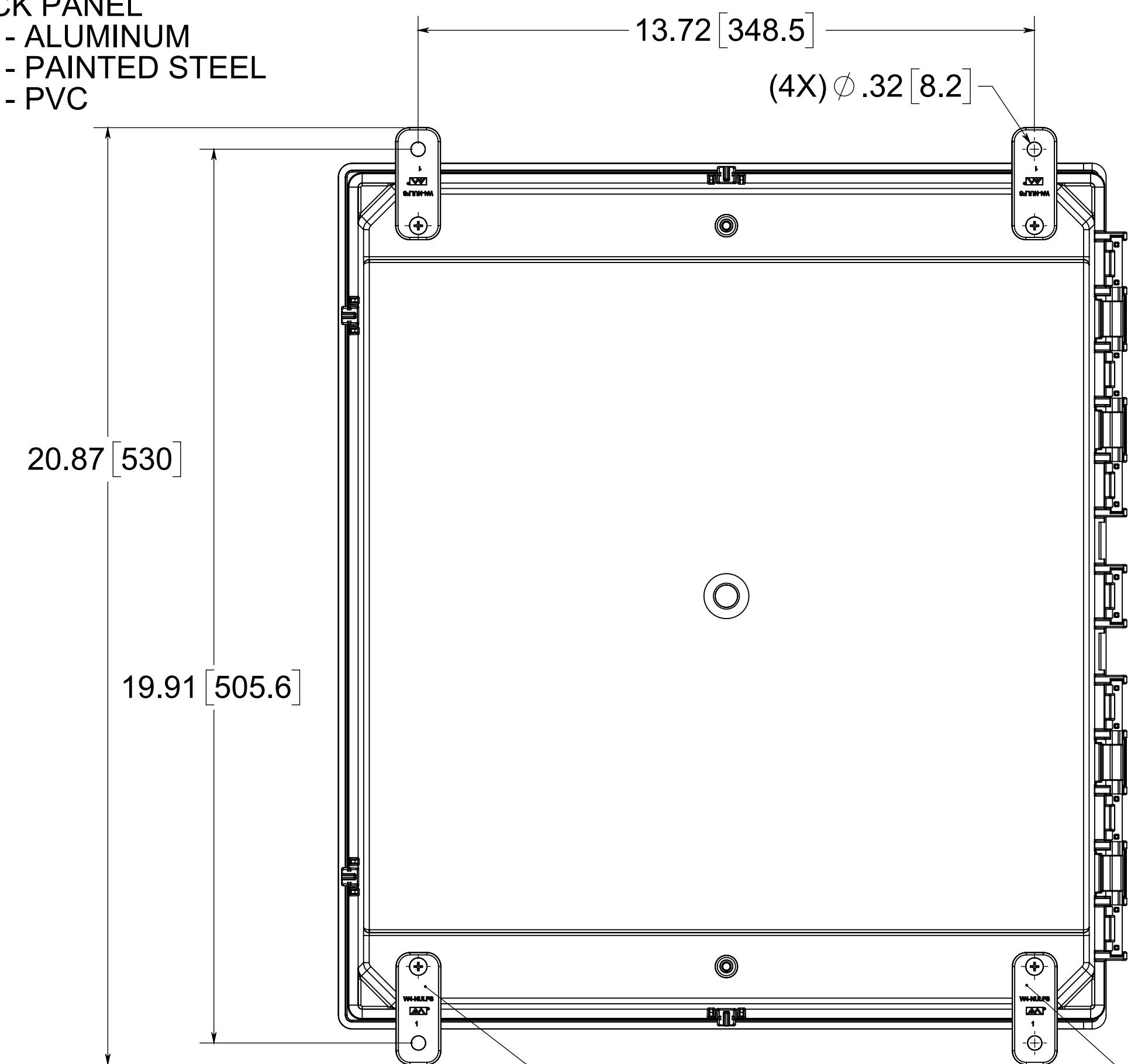


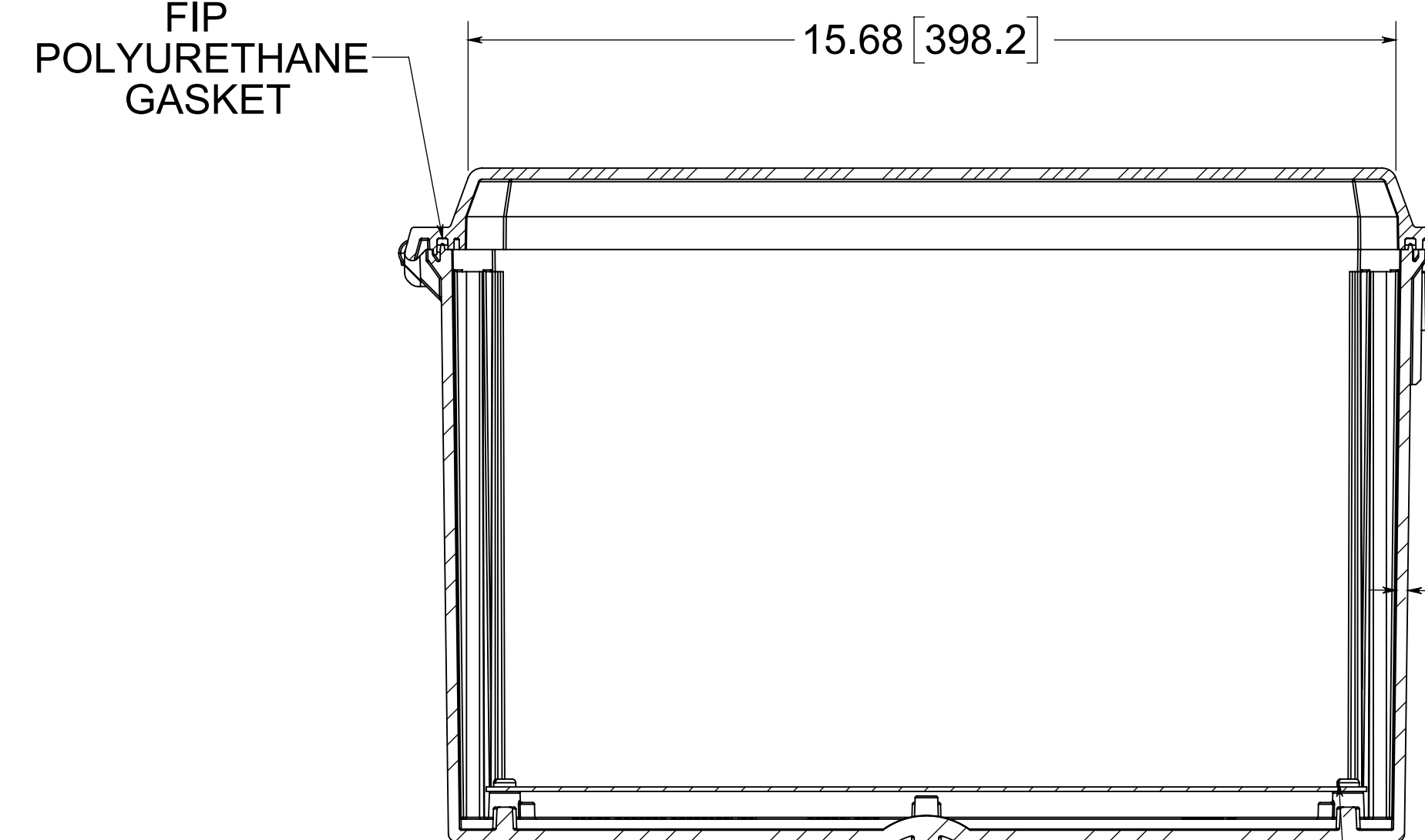
OPTIONAL BACK PANEL  
 .100[2.54] TH'K - ALUMINUM  
 .075[1.91] TH'K - PAINTED STEEL  
 .188[4.78] TH'K - PVC



(4X) SNAP-IN  
 POLYCARBONATE  
 HINGE KNUCKLE

(2X) #10-32 BRASS INSERTS  
 AND 316 STAINLESS STEEL  
 CAPTIVE COVER SCREW

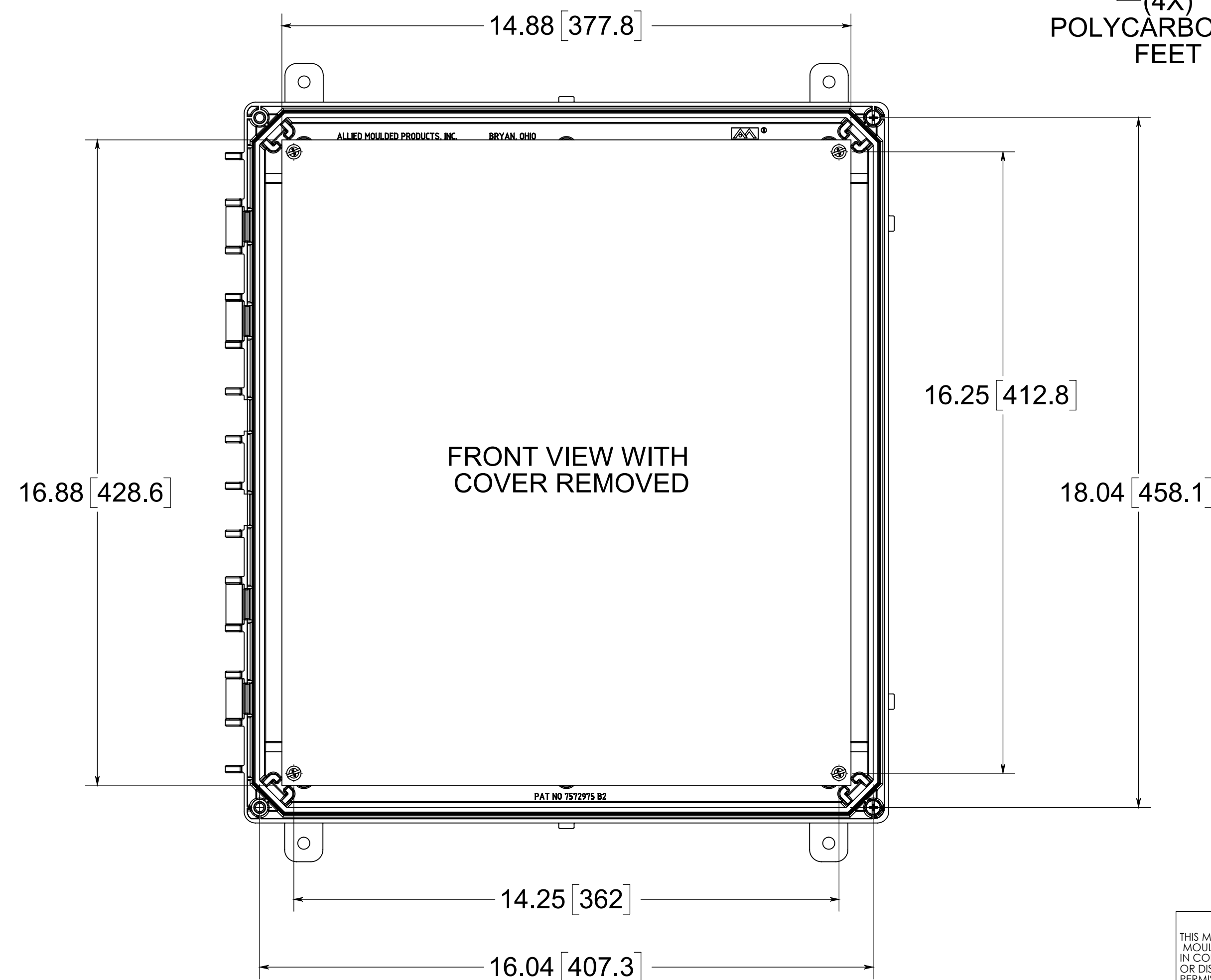
FIP  
 POLYURETHANE  
 GASKET



SECTION B-B

(4X) EACH #10-32 BRASS INSERTS  
 PLATED CARBON STEEL SCREWS  
 TO RETAIN BACK PANEL

MATERIAL:  
 BOX: INJECTION POLYCARBONATE  
 STANDARD COVER: INJECTION POLYCARBONATE  
 CLEAR COVER: INJECTION POLYCARBONATE



NOTE:  
 1. DATA SUBJECT TO CHANGE

CONFIDENTIAL  
 THIS MATERIAL IS OWNED BY THE ALLIED  
 MOULDED PRODUCTS COMPANY, IS DISCLOSED  
 IN CONFIDENCE, AND IS NOT TO BE REPRODUCED  
 OR DISTRIBUTED WITHOUT PRIOR WRITTEN  
 PERMISSION FROM ALLIED MOULDED PRODUCTS.

ALLIED MOULDED PRODUCTS  
 BRYAN, OHIO  
 The Original Fiber Glass Outlet Box

Description  
**AMP Polyline**  
 Part No.  
**AMP1860H**