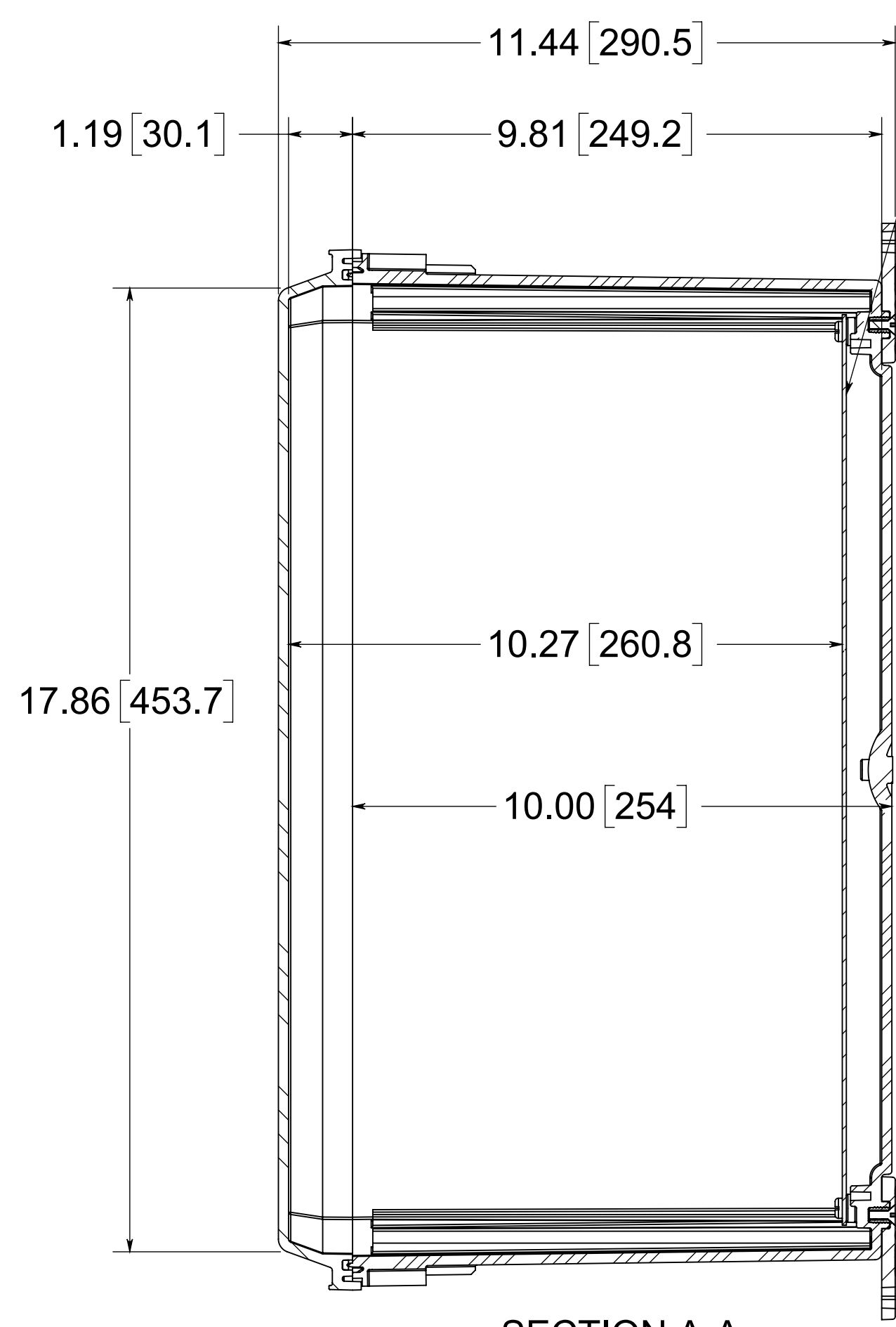
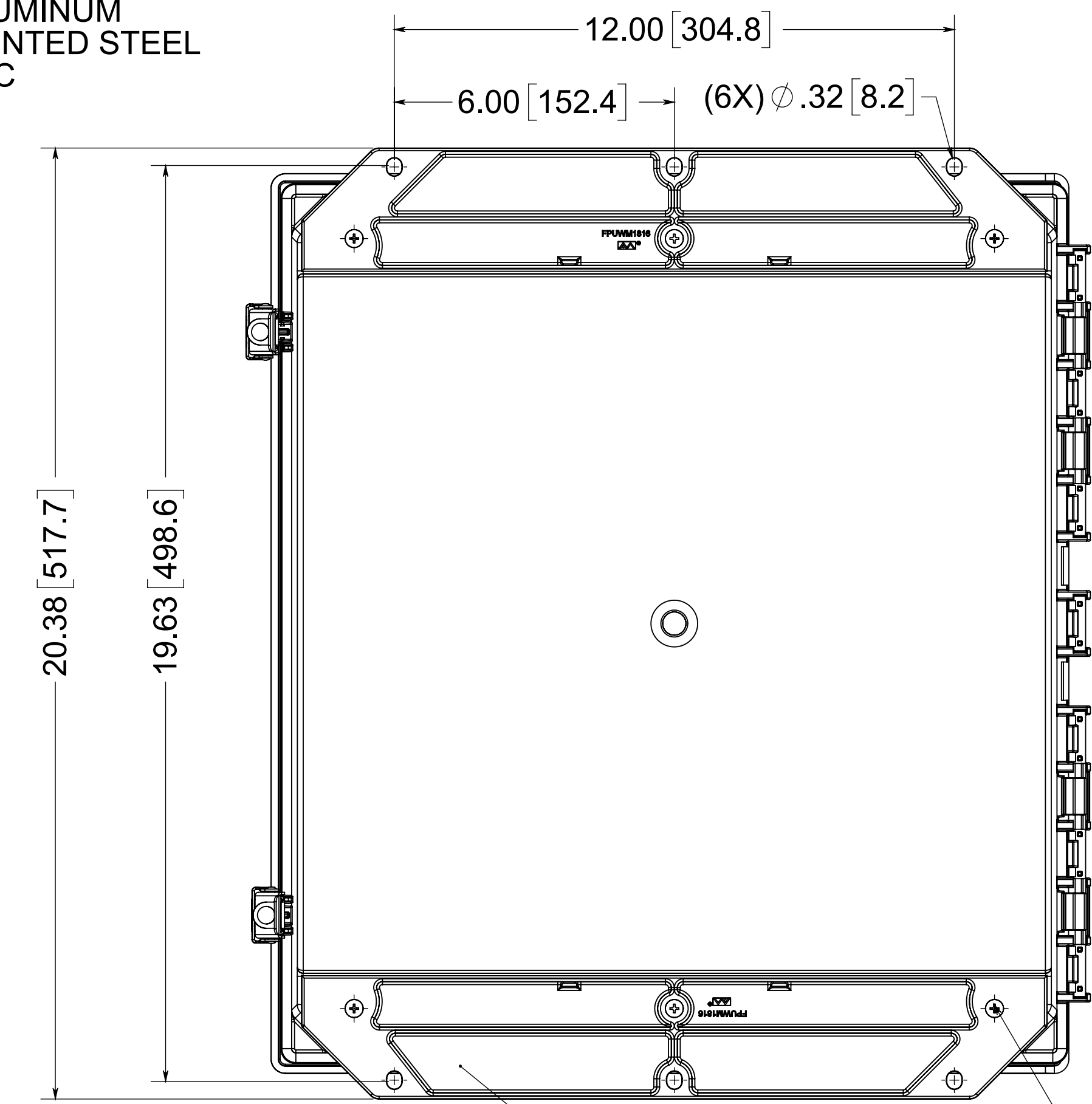


(4X) SNAP-IN POLYCARBONATE HINGE KNUCKLE



SECTION A-A

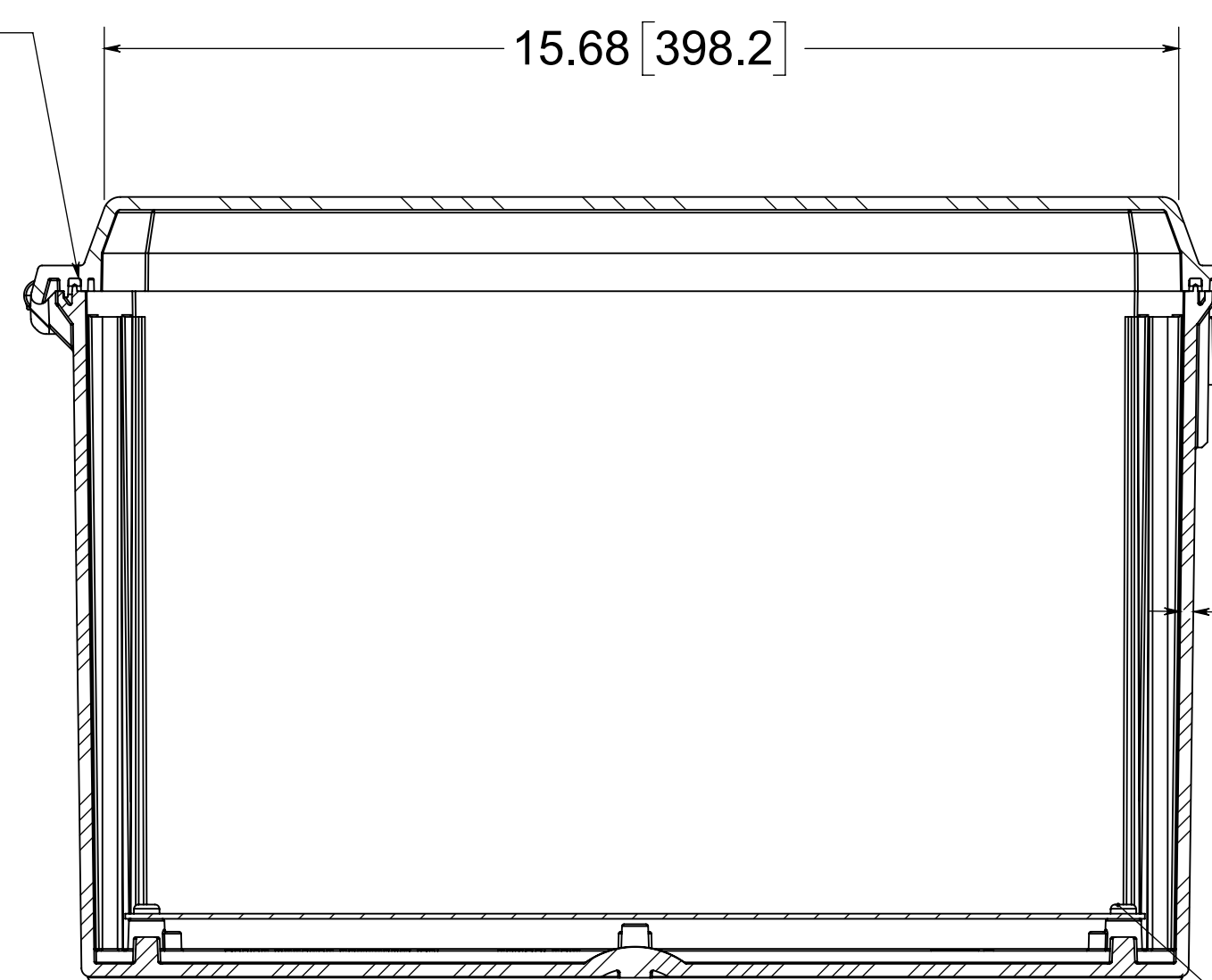
OPTIONAL BACK PANEL  
 .100[2.54] TH'K - ALUMINUM  
 .075[1.91] TH'K - PAINTED STEEL  
 .188[4.78] TH'K - PVC



(2X) POLYCARBONATE FLANGES (GLUED)

(6X) #10-32 BRASS INSERTS, 316 STAINLESS STEEL FLANGE AND FEET SCREWS

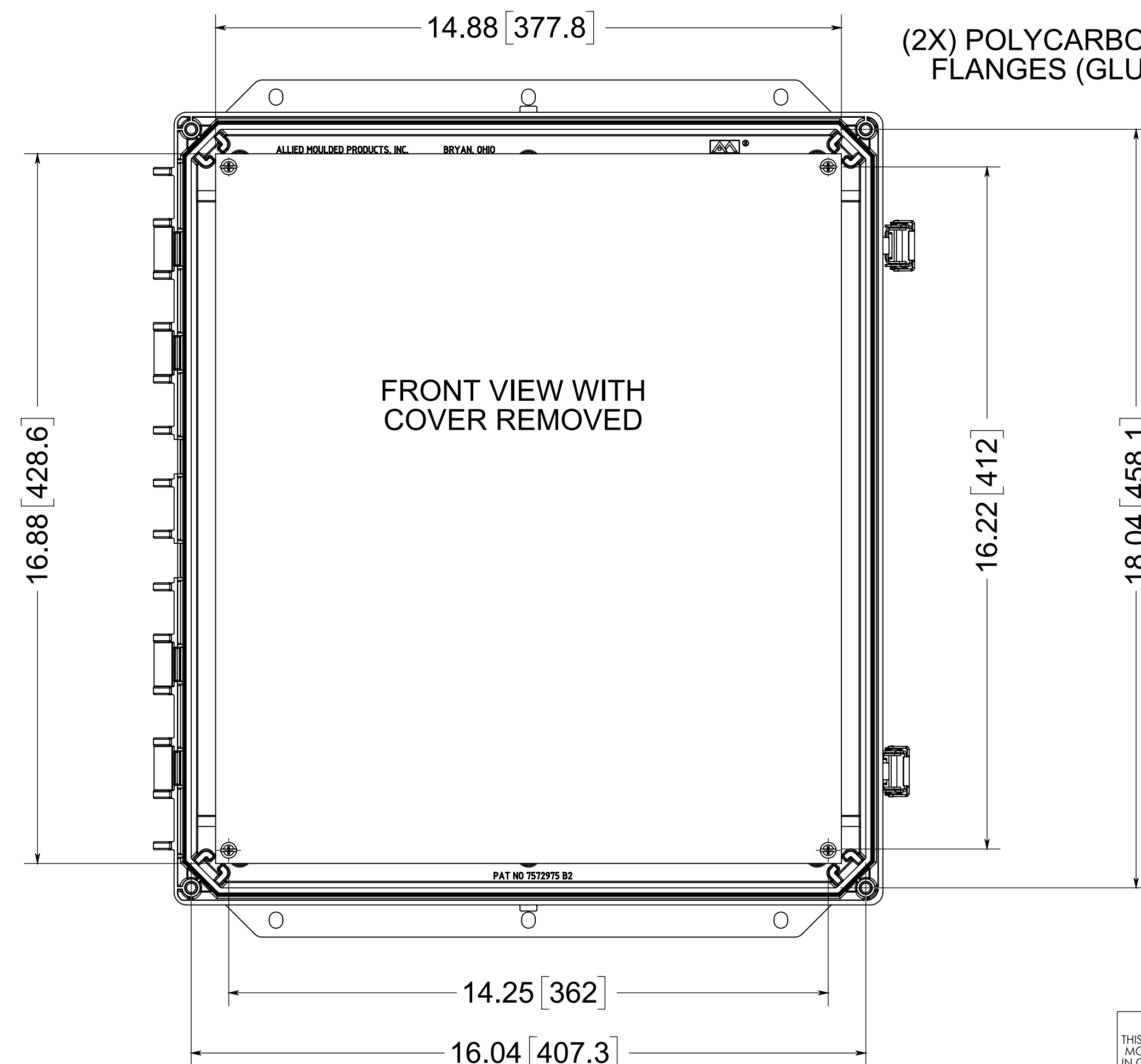
FIP POLYURETHANE GASKET



SECTION B-B

(2X) 316 STAINLESS STEEL LOCKABLE SNAP LATCHES

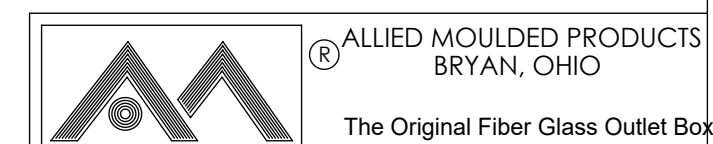
(4X) #10-32 BRASS INSERTS AND PLATED CARBON TRUSS SCREWS



FRONT VIEW WITH COVER REMOVED

NOTE:  
 1. DATA SUBJECT TO CHANGE

MATERIAL:  
 BOX- INJECTED POLYCARBONATE  
 STANDARD COVER- INJECTED POLYCARBONATE  
 CLEAR COVER- INJECTED POLYCARBONATE



Description  
**AMP Polyline**  
 Part No.  
**AMP1860LF**

**CONFIDENTIAL**  
 THIS MATERIAL IS OWNED BY THE ALLIED MOULDED PRODUCTS COMPANY, IS DISCLOSED IN CONFIDENCE, AND IS NOT TO BE REPRODUCED OR DISTRIBUTED WITHOUT PRIOR WRITTEN PERMISSION FROM ALLIED MOULDED PRODUCTS.