

(4X) SNAP-IN POLYCARBONATE HINGE KNUCKLE

FIP POLYURETHANE GASKET

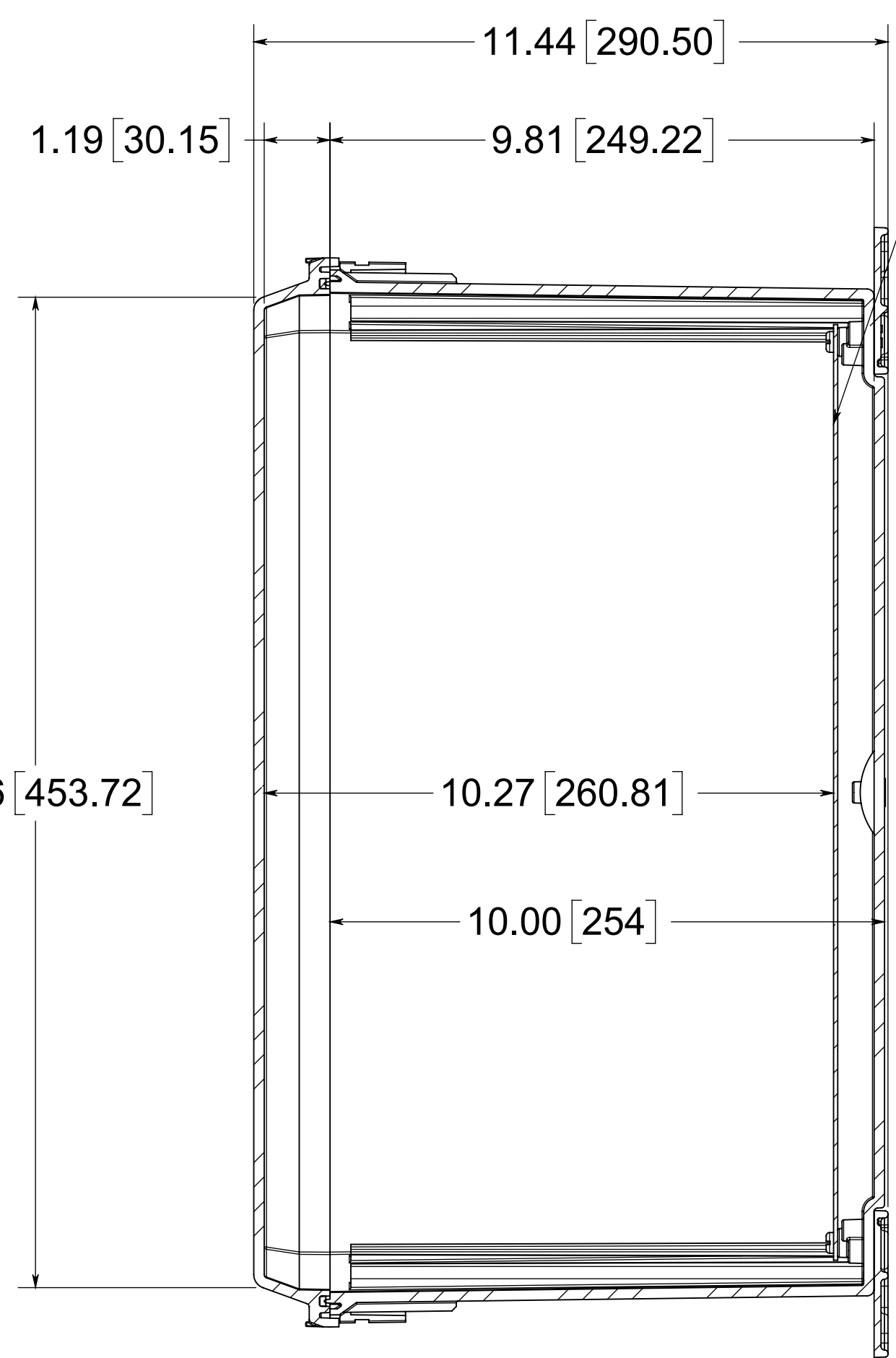
(2X) NON-METALLIC LOCKABLE SNAP LATCH

.19 [4.78] WALL THICKNESS

(4X) #10-32 BRASS INSERTS AND PLATED CARBON STEEL TRUSS SCREWS

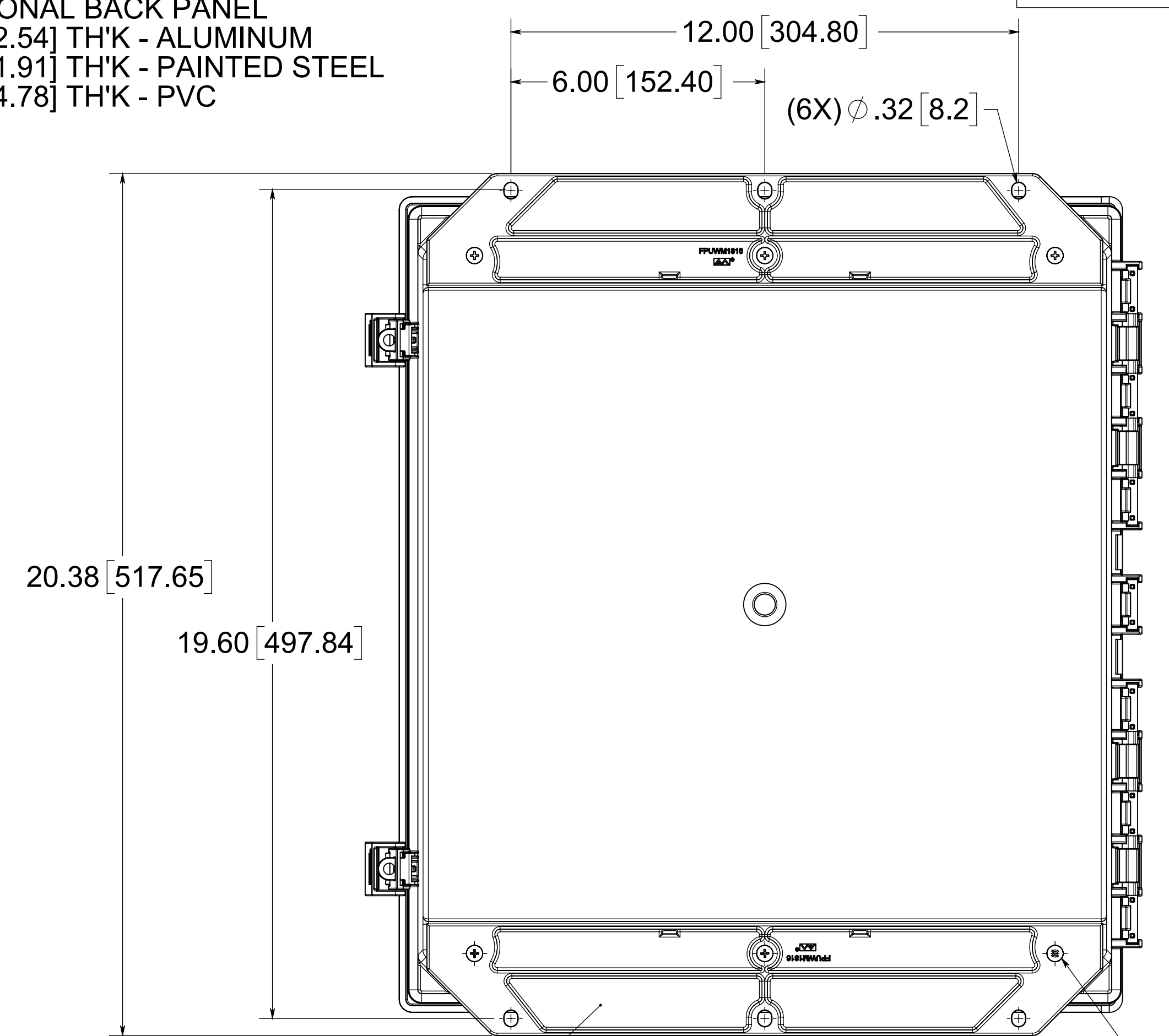
MATERIAL:
 BOX-INJECTION POLYCARBONATE
 STANDARD COVER-INJECTION POLYCARBONATE
 CLEAR COVER-INJECTION POLYCARBONATE

SECTION C-C



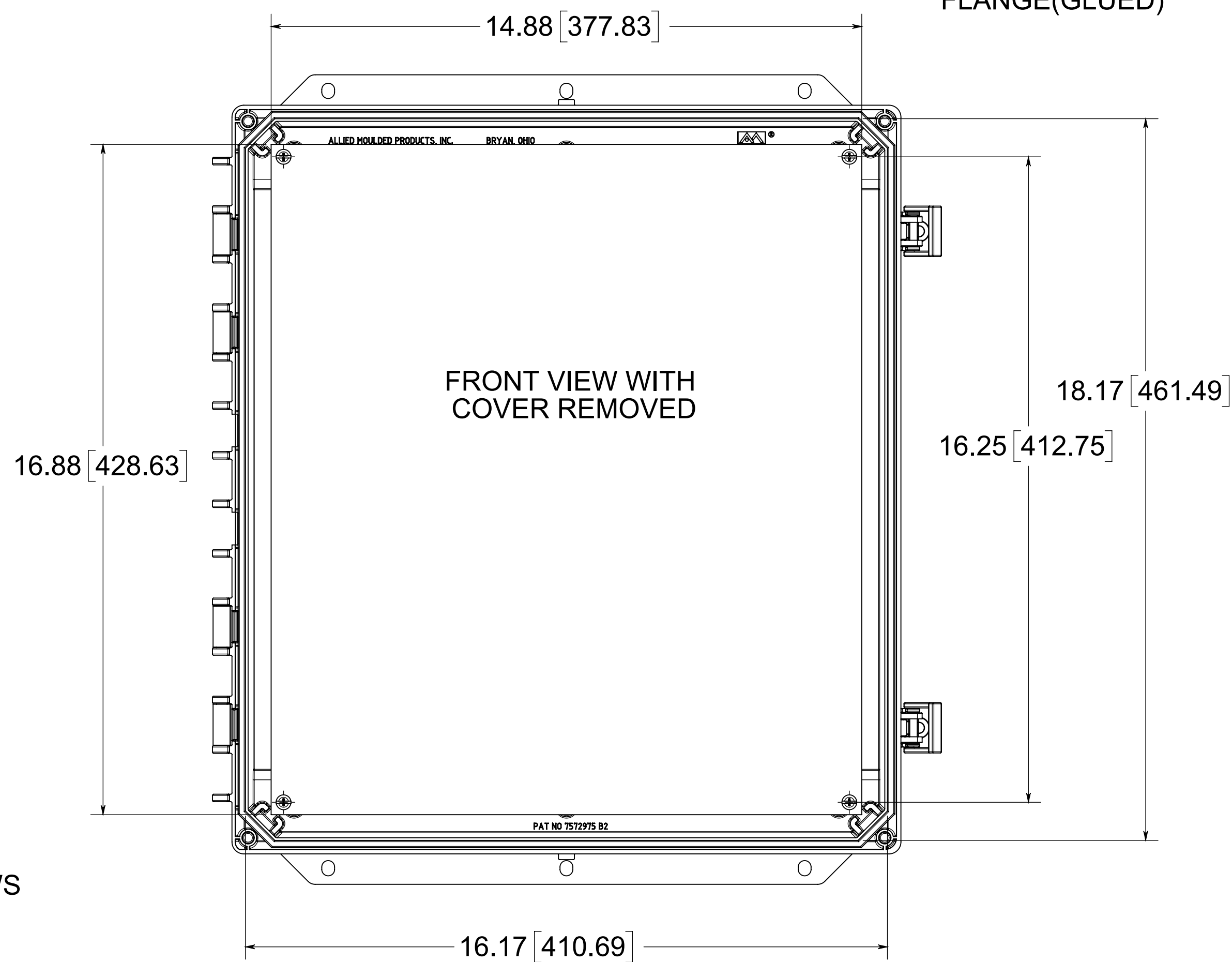
SECTION D-D

OPTIONAL BACK PANEL
 .100[2.54] TH'K - ALUMINUM
 .075[1.91] TH'K - PAINTED STEEL
 .188[4.78] TH'K - PVC



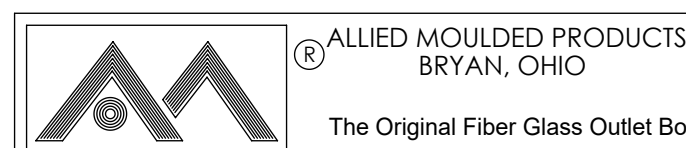
(2X) POLYCARBONATE FLANGE(GLUED)

(6X) #10-32 BRASS INSERTS, 316 STAINLESS STEEL FLANGE AND FEET SCREWS



FRONT VIEW WITH COVER REMOVED

NOTE:
 1. DATA SUBJECT TO CHANGE



CONFIDENTIAL
 THIS MATERIAL IS OWNED BY THE ALLIED MOULDED PRODUCTS COMPANY, IS DISCLOSED IN CONFIDENCE, AND IS NOT TO BE REPRODUCED OR DISTRIBUTED WITHOUT PRIOR WRITTEN PERMISSION FROM ALLIED MOULDED PRODUCTS.

Description
AMP Polyline
 Part No.
AMP1860NLF