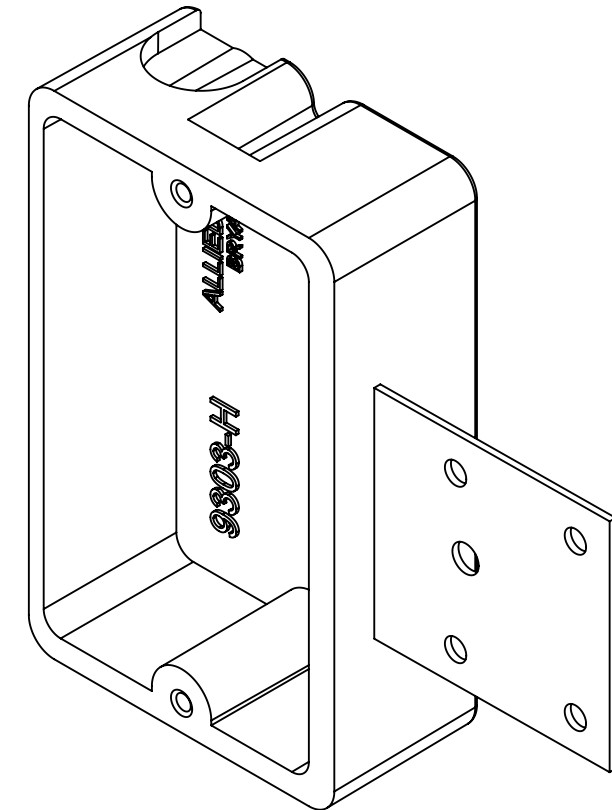
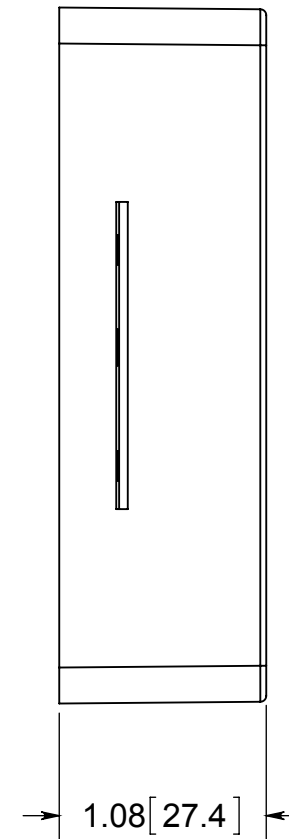
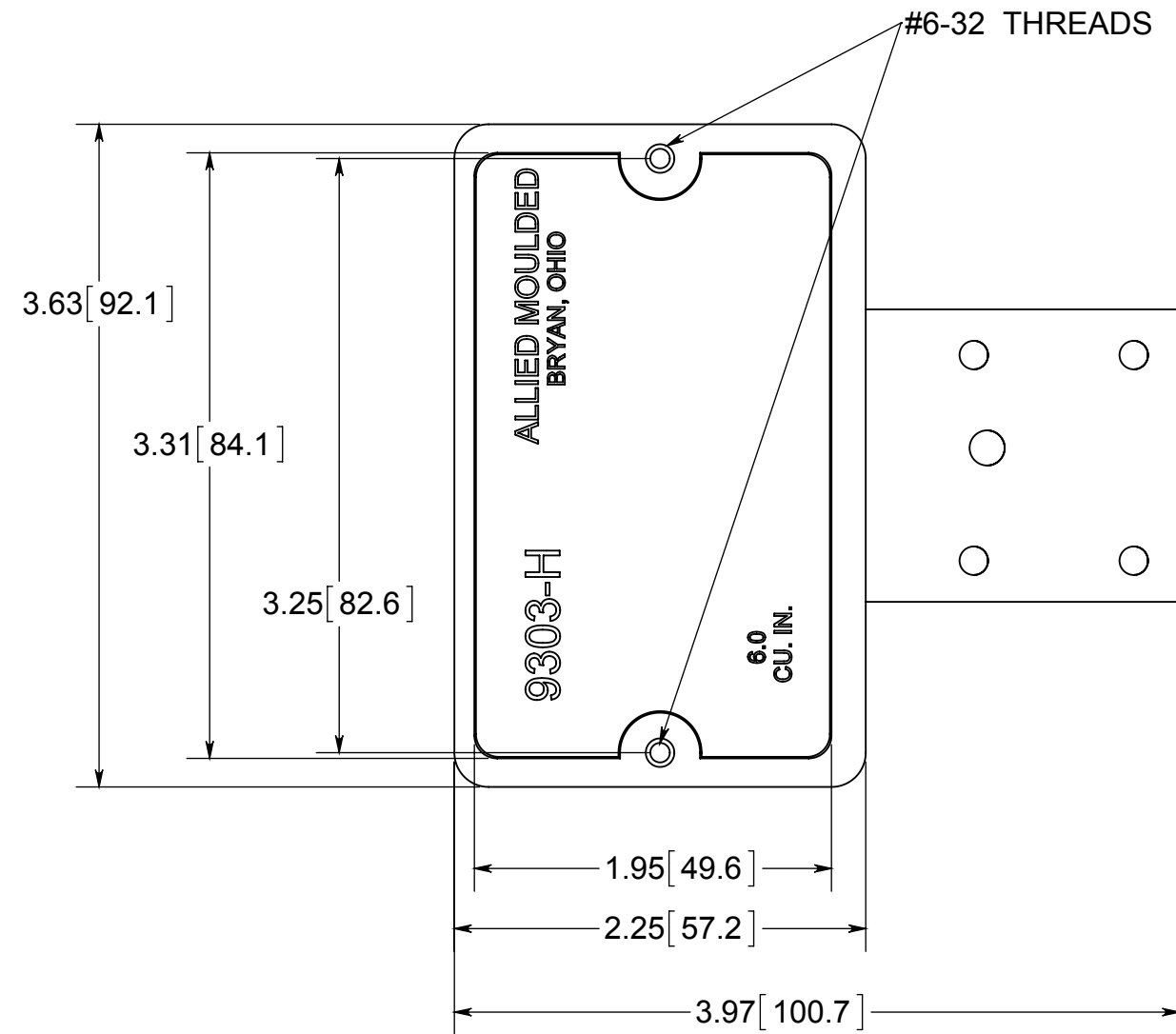
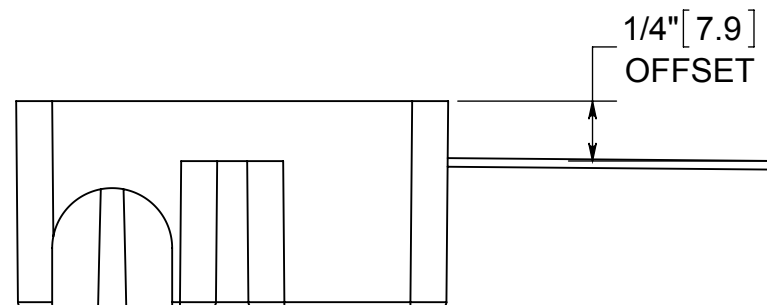


fiberglass BOX™

ISSUE DATE: 06/01/2015



NOTES:
 1.) BOX MATERIAL: FIBERGLASS REINFORCED POLYESTER, MOUNTING BRACKET MATERIAL: GALVANIZED STEEL



 **ALLIED MOULDED PRODUCTS**
 BRYAN, OHIO
 The Original Fiber Glass Outlet Box

PRODUCT SERIES
SINGLE GANG 6.0 CU. IN.

Part No.
9303-H

CONFIDENTIAL
 THIS MATERIAL IS OWNED BY THE ALLIED MOULDED PRODUCTS COMPANY, IS DISCLOSED IN CONFIDENCE, AND IS NOT TO BE REPRODUCED OR DISTRIBUTED WITHOUT PRIOR WRITTEN PERMISSION FROM ALLIED MOULDED PRODUCTS.