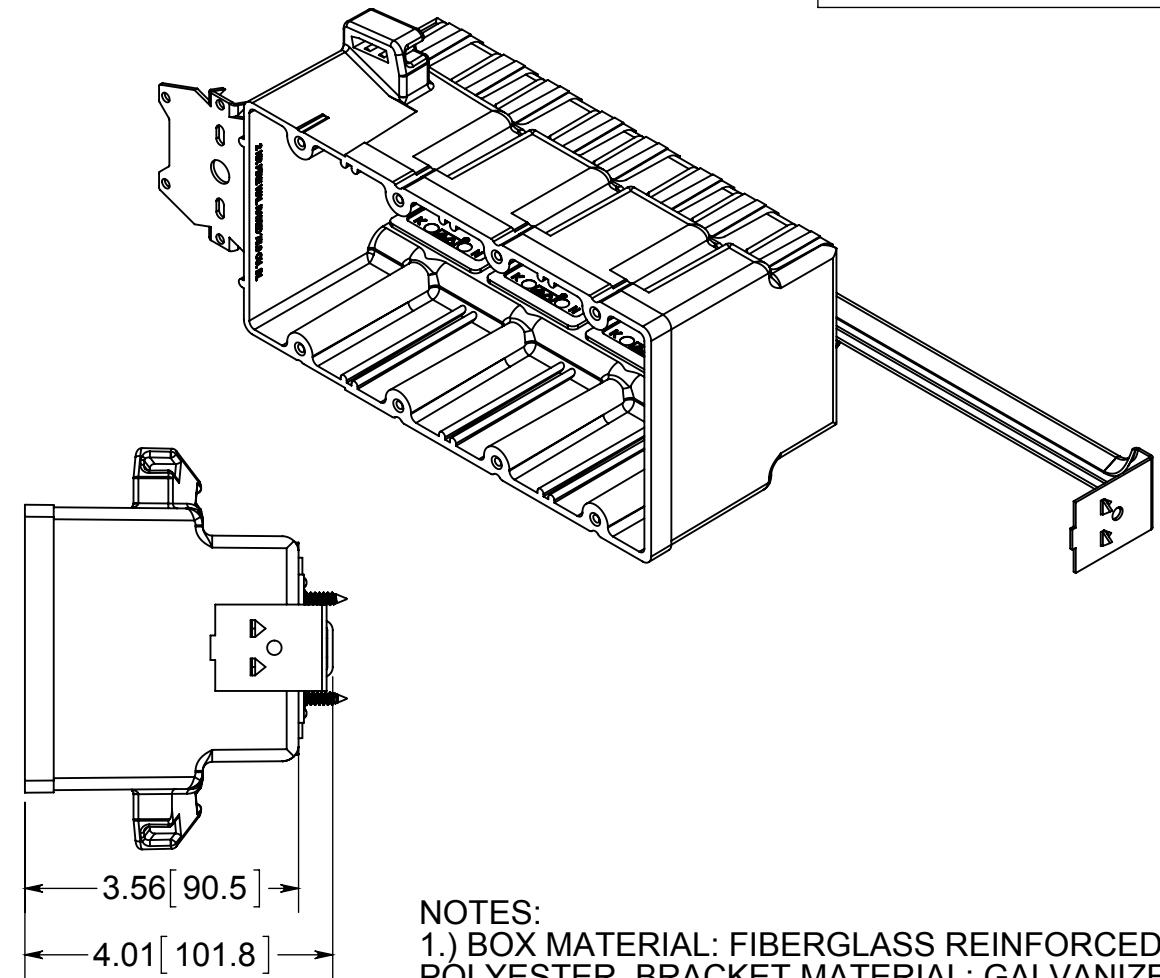
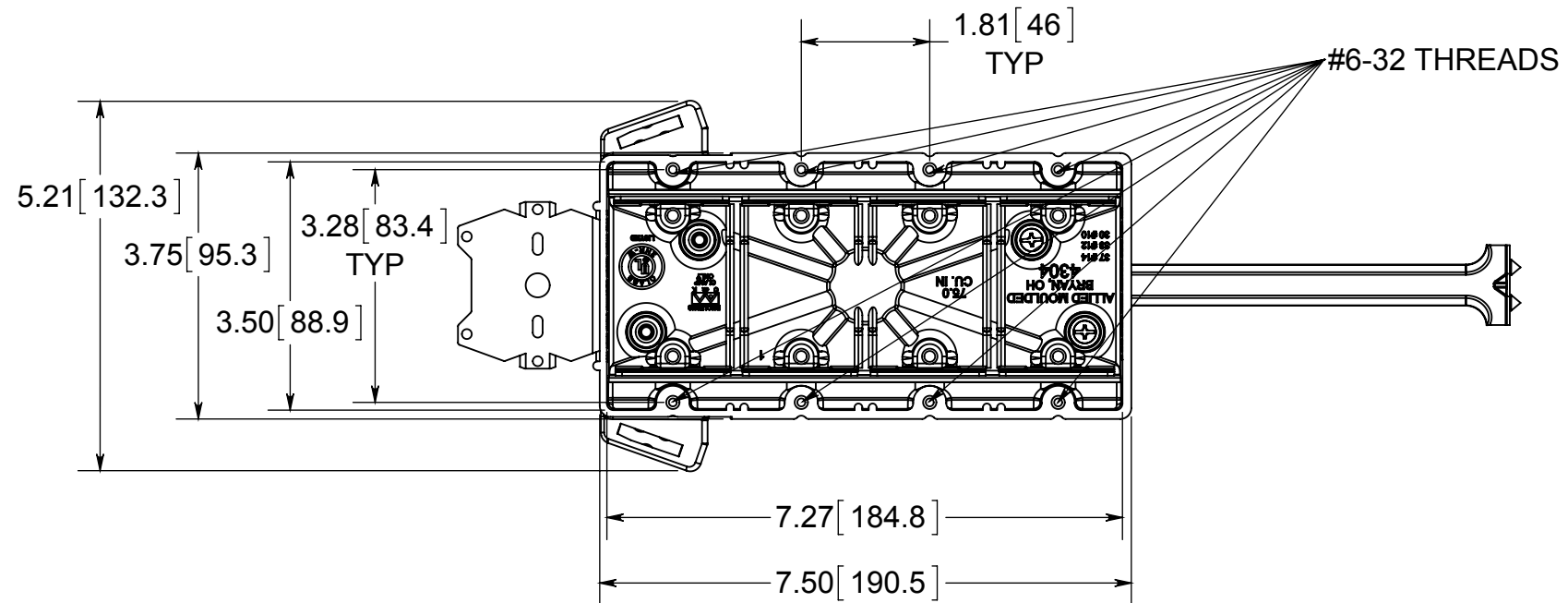


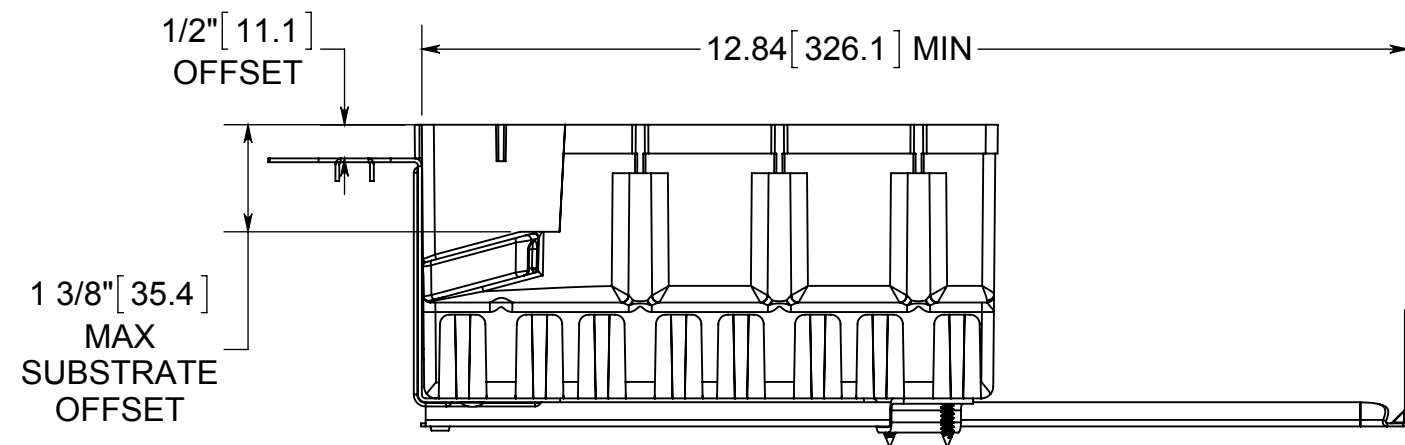
# fiberglass BOX™

ISSUE DATE: 05/28/2015



**NOTES:**

- 1.) BOX MATERIAL: FIBERGLASS REINFORCED POLYESTER, BRACKET MATERIAL: GALVANIZED STEEL, BAR MATERIAL: GALVANIZED STEEL, BAR MOUNTING BRACKET MATERIAL: GALVANIZED STEEL, BAR MOUNTING BRACKET SCREW MATERIAL: ZINC PLATED STEEL, SPEED KLAMP MATERIAL: PVC
- 2.) UL LISTED WITH 2 HOUR FIRE RATING FOR WALL
- 3.) "Z" HANGER BRACKET USED TO ATTACH BOX TO FACE OF WOOD OR STEEL STUDS. SECURE WITH APPROVED FASTENERS PER THE APPLICATION REQUIREMENTS
- 4.) 8 SPEED KLAMPS FACTORY INSTALLED
- 5.) ACCEPTS LVP-1 LOW VOLTAGE PARTITION



PRODUCT SERIES

FOUR GANG 75.0 CU. IN.

Part No.

**4304-Z4BK**

**CONFIDENTIAL**

THIS MATERIAL IS OWNED BY THE ALLIED MOULDED PRODUCTS COMPANY, IS DISCLOSED IN CONFIDENCE, AND IS NOT TO BE REPRODUCED OR DISTRIBUTED WITHOUT PRIOR WRITTEN PERMISSION FROM ALLIED MOULDED PRODUCTS.