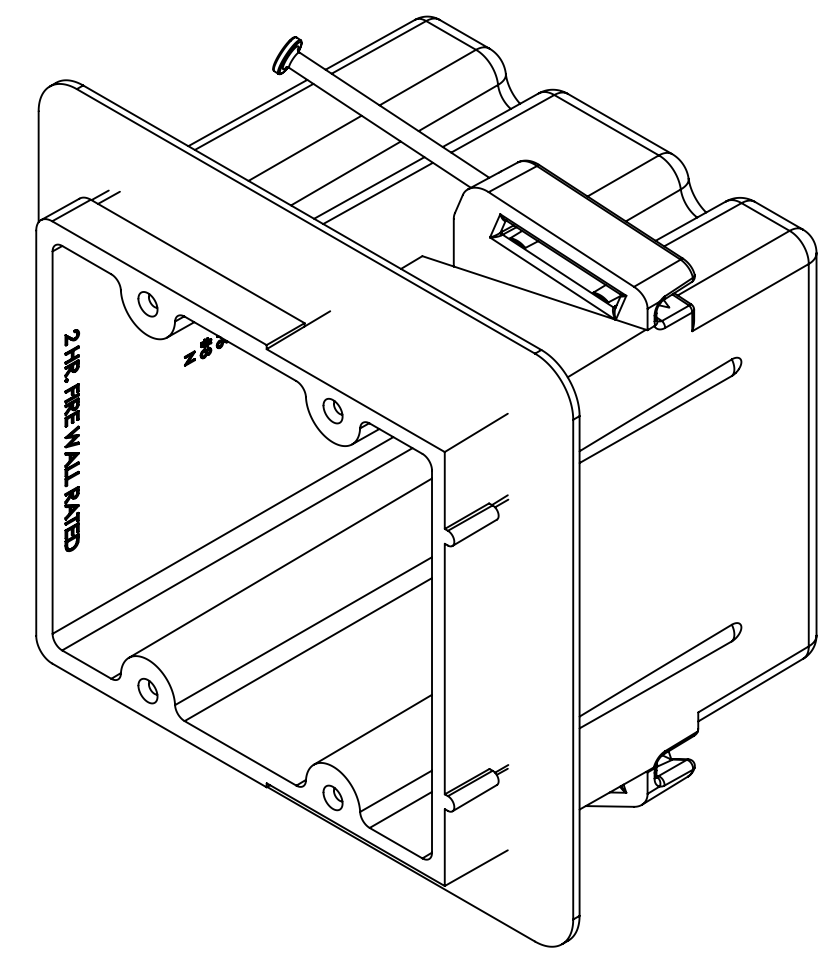
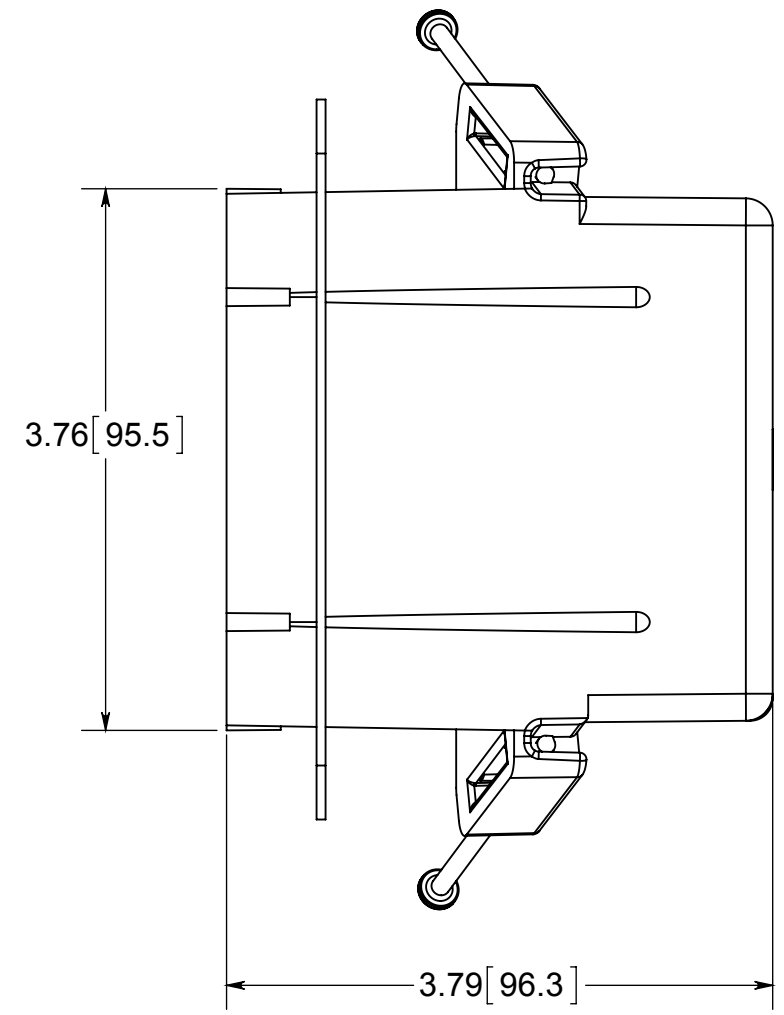
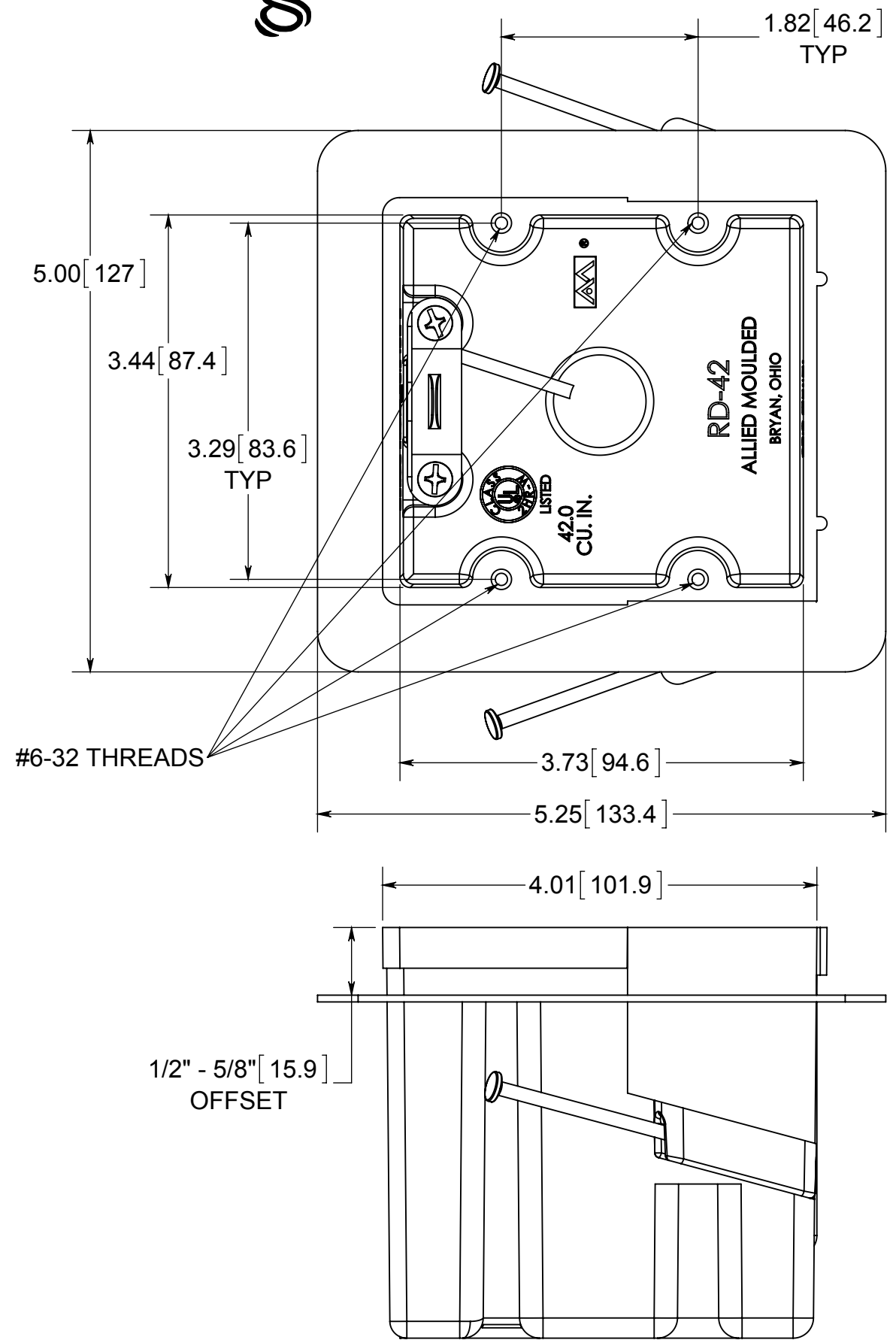


fiberglass BOX™

ISSUE DATE: 06/03/2015



- NOTES:
 1.) BOX MATERIAL: FIBERGLASS REINFORCED POLYESTER, NAIL MATERIAL: PLATED CARBON STEEL, CLAMP MATERIAL: GALVANIZED STEEL, CLAMP SCREW MATERIAL: ZINC PLATED STEEL, VAPOR SEAL MATERIAL: POLYURETHANE
 2.) UL LISTED WITH 2 HOUR FIRE RATING FOR WALL

 **ALLIED MOULDED PRODUCTS**
 BRYAN, OHIO
 The Original Fiber Glass Outlet Box

PRODUCT SERIES
RANGE/DRYER 42.0 CU. IN.

Part No.
RD-42V

CONFIDENTIAL
 THIS MATERIAL IS OWNED BY THE ALLIED MOULDED PRODUCTS COMPANY, IS DISCLOSED IN CONFIDENCE, AND IS NOT TO BE REPRODUCED OR DISTRIBUTED WITHOUT PRIOR WRITTEN PERMISSION FROM ALLIED MOULDED PRODUCTS.