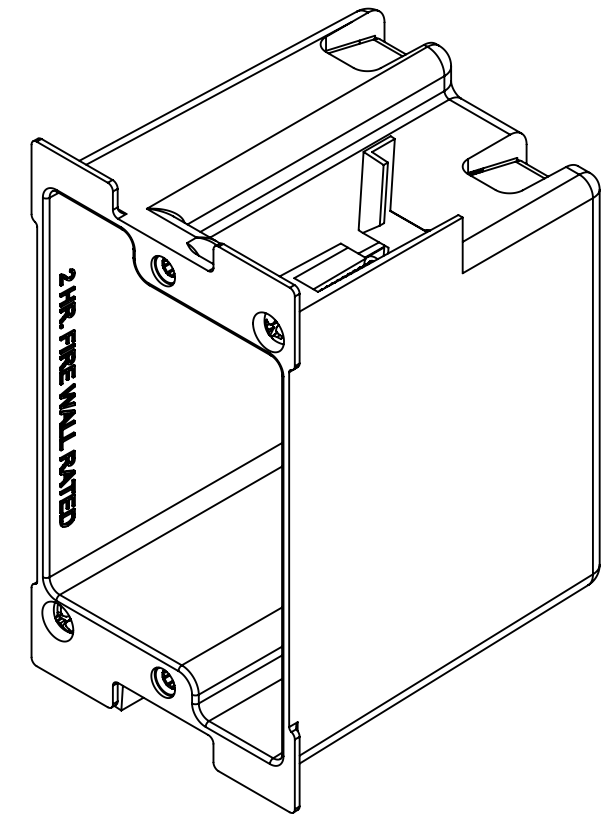
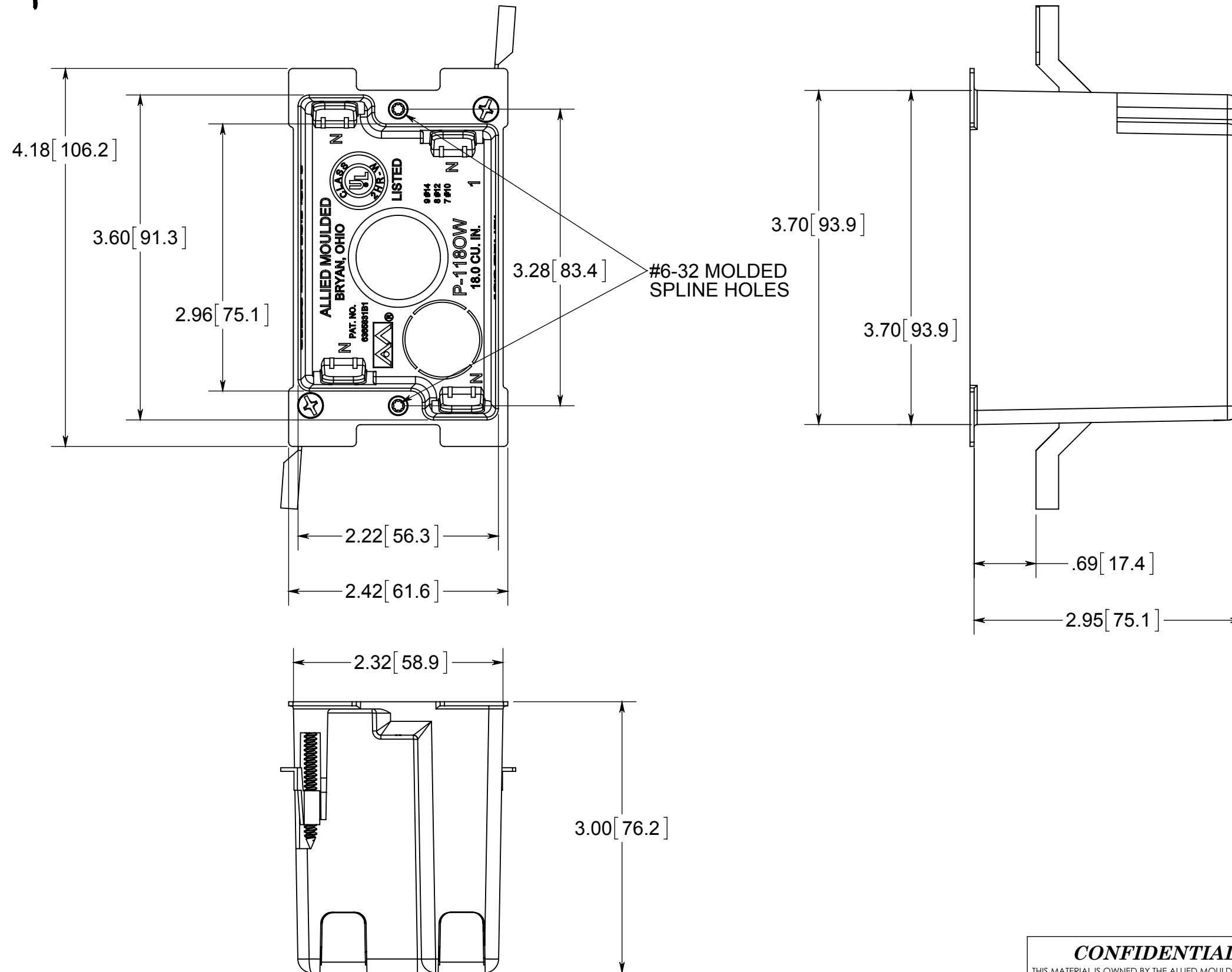


flexBOX®

ISSUE DATE: 06/08/2015



NOTES:
 1.) BOX MATERIAL: PVC, WING MATERIAL: GALVANIZED STEEL, WING SCREW MATERIAL: ZINC COATED STEEL
 2.) UL LISTED WITH 2 HOUR FIRE RATING FOR WALL

 **ALLIED MOULDED PRODUCTS**
 BRYAN, OHIO
 The Original Fiber Glass Outlet Box

PRODUCT SERIES
 OLD WORK SINGLE GANG 18.0 CU. IN.

Part No.
P-1180W

CONFIDENTIAL
 THIS MATERIAL IS OWNED BY THE ALLIED MOULDED PRODUCTS COMPANY, IS DISCLOSED IN CONFIDENCE, AND IS NOT TO BE REPRODUCED OR DISTRIBUTED WITHOUT PRIOR WRITTEN PERMISSION FROM ALLIED MOULDED PRODUCTS.