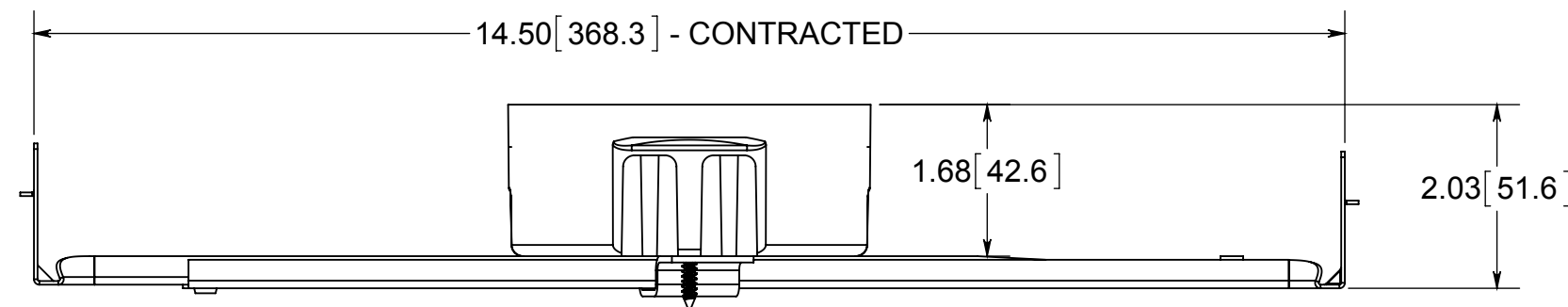
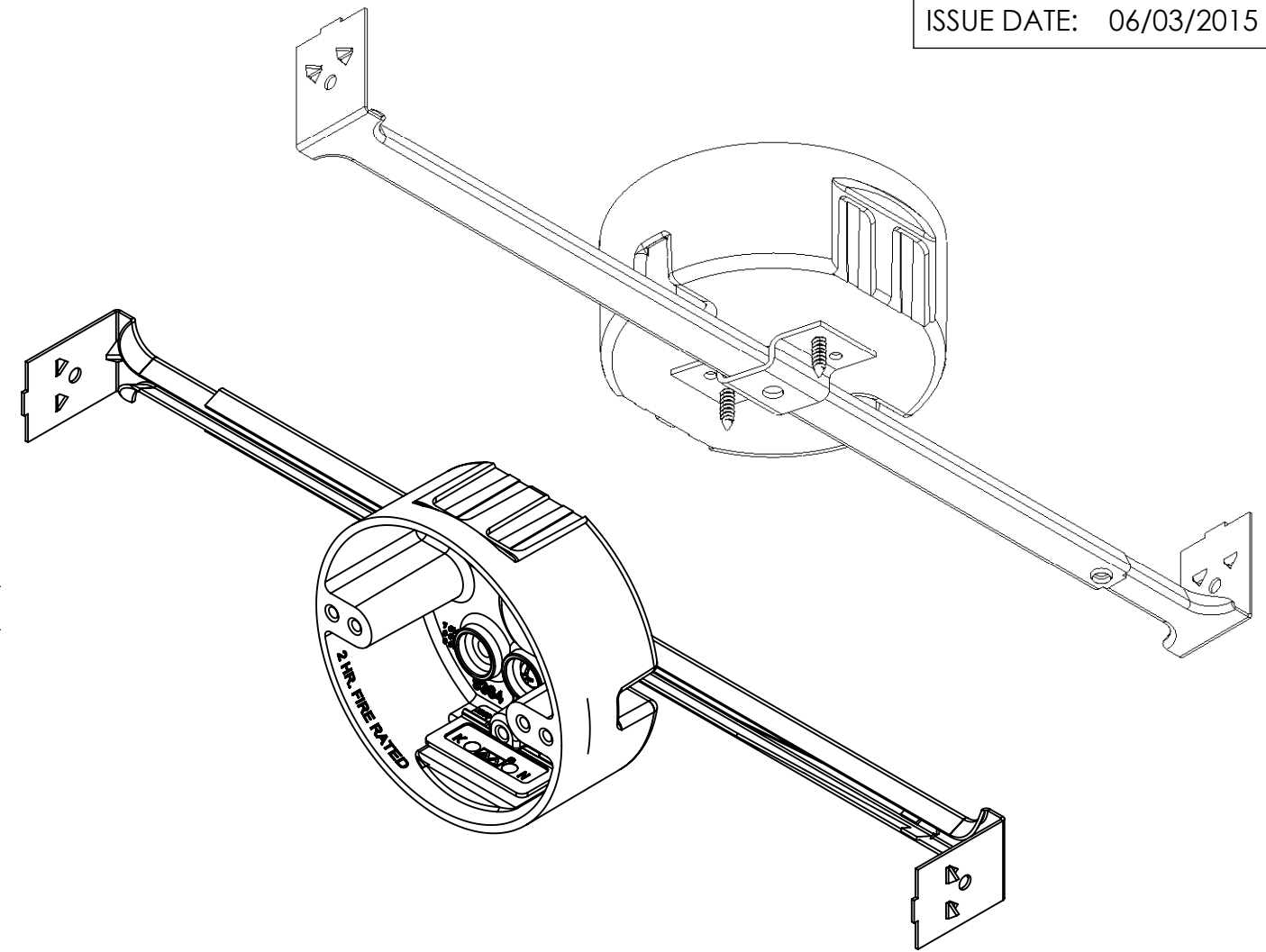
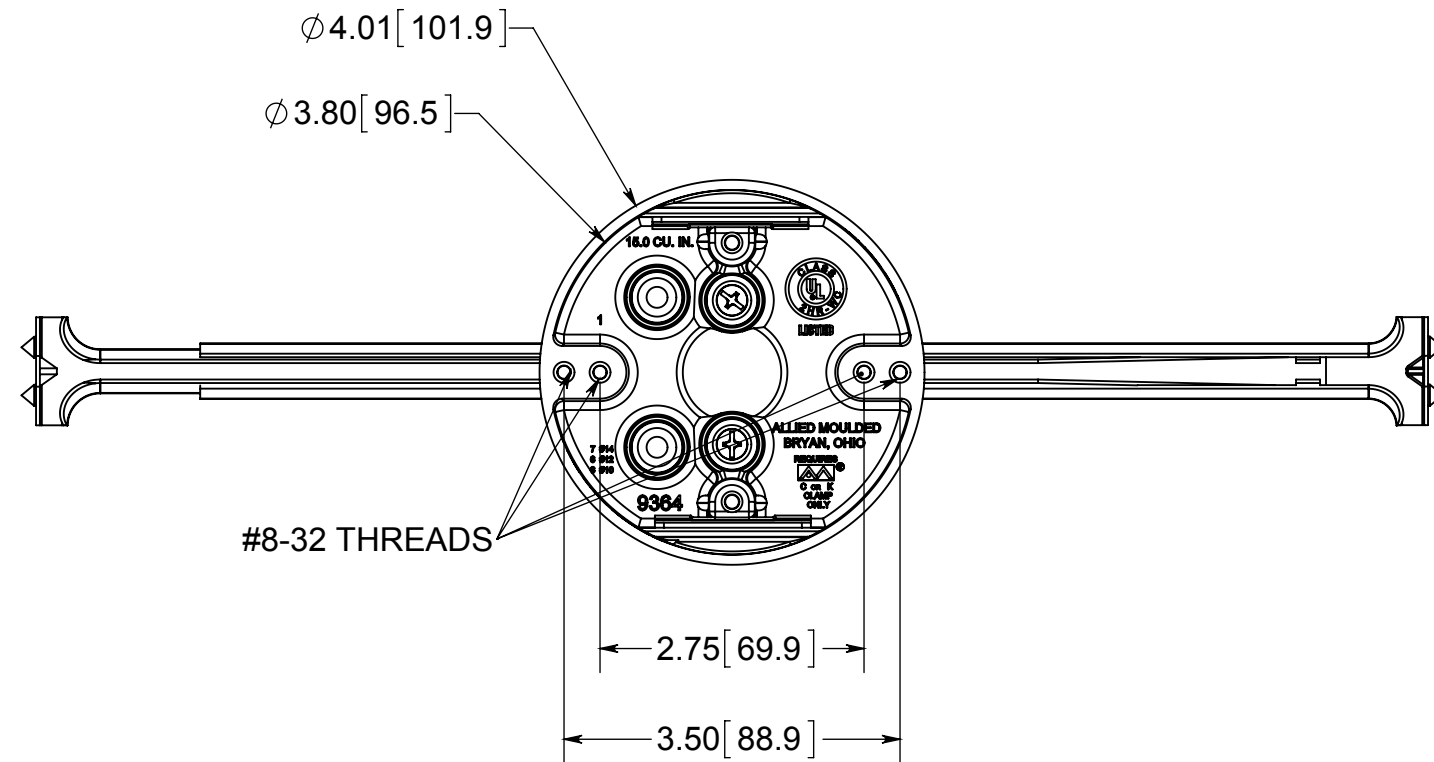


fiberglass BOX™

ISSUE DATE: 06/03/2015



- NOTES:
- 1.) BOX MATERIAL: FIBERGLASS REINFORCED POLYESTER, SPEED KLAMP MATERIAL: PVC, BAR MATERIAL: GALVANIZED STEEL, MOUNTING BRACKET MATERIAL: GALVANIZED STEEL, MOUNTING BRACKET SCREW MATERIAL: ZINC PLATED STEEL
 - 2.) UL LISTED WITH 2 HOUR FIRE RATING FOR WALL AND CEILING
 - 3.) SPEED KLAMPS FACTORY INSTALLED

 **ALLIED MOULDED PRODUCTS**
BRYAN, OHIO
The Original Fiber Glass Outlet Box

PRODUCT SERIES

4" ROUND 15.0 CU. IN.

Part No.

9364-16K

CONFIDENTIAL

THIS MATERIAL IS OWNED BY THE ALLIED MOULDED PRODUCTS COMPANY, IS DISCLOSED IN CONFIDENCE, AND IS NOT TO BE REPRODUCED OR DISTRIBUTED WITHOUT PRIOR WRITTEN PERMISSION FROM ALLIED MOULDED PRODUCTS.