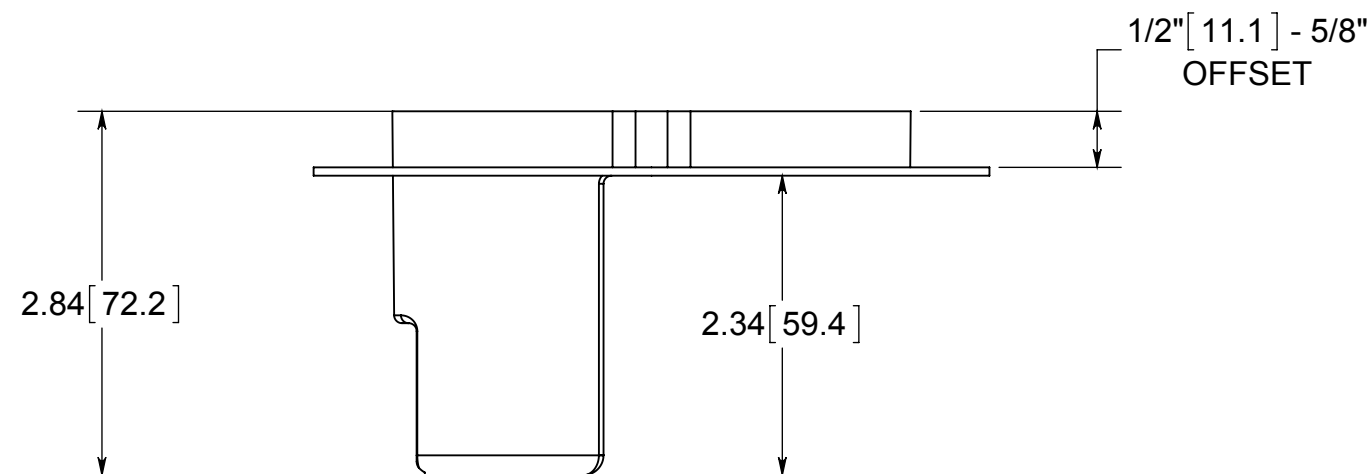
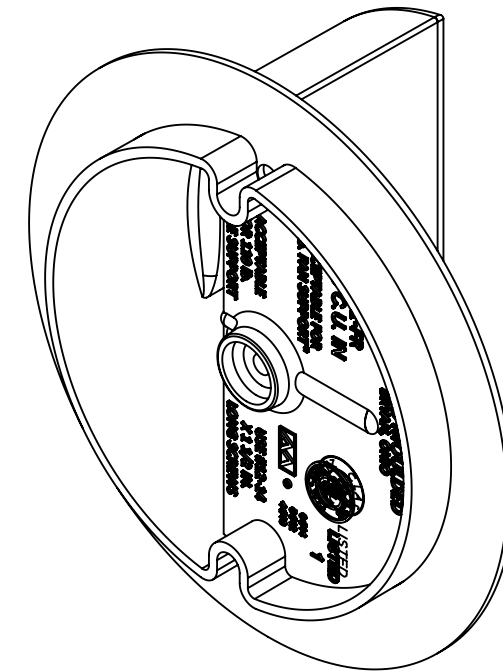
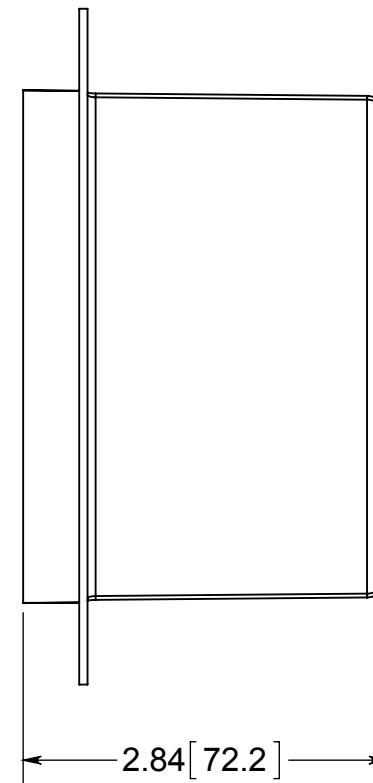
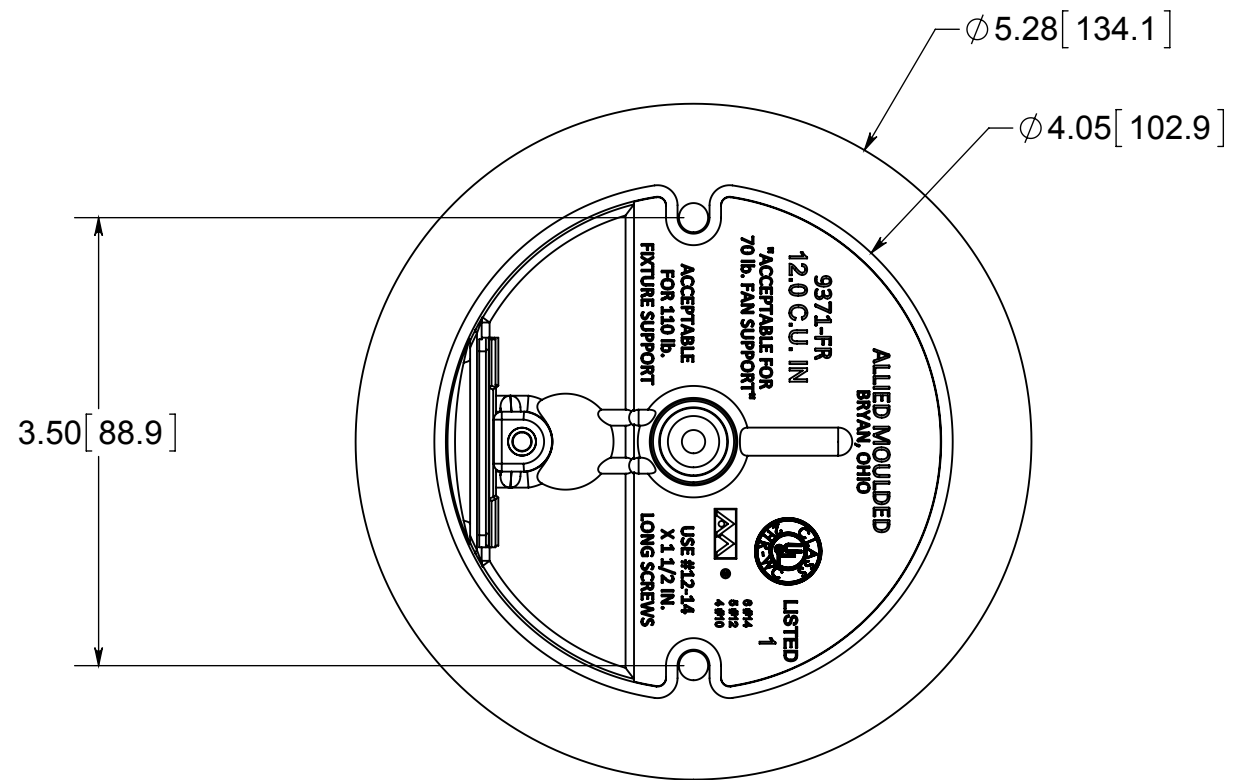


# fiberglass BOX™

ISSUE DATE: 06/08/2015



- 1.) BOX MATERIAL: FIBERGLAS REINFORCED POLYESTER, MOUNTING HARDWARE MATERIAL: ZINC PLATED STEEL
- 2.) UL LISTED WITH 2 HOUR FIRE RATING FOR WALL AND CEILING
- 3.) RATED FOR 70LB FAN AND 110LB FIXTURE
- 4.) MOUNTING HARDWARE INCLUDED



® **ALLIED MOULDED PRODUCTS**  
BRYAN, OHIO

The Original Fiber Glass Outlet Box

PRODUCT SERIES

4" PAN FAN BOX 12.0 CU. IN.

Part No.

**9371-FRV**

**CONFIDENTIAL**

THIS MATERIAL IS OWNED BY THE ALLIED MOULDED PRODUCTS COMPANY, IS DISCLOSED IN CONFIDENCE, AND IS NOT TO BE REPRODUCED OR DISTRIBUTED WITHOUT PRIOR WRITTEN PERMISSION FROM ALLIED MOULDED PRODUCTS.