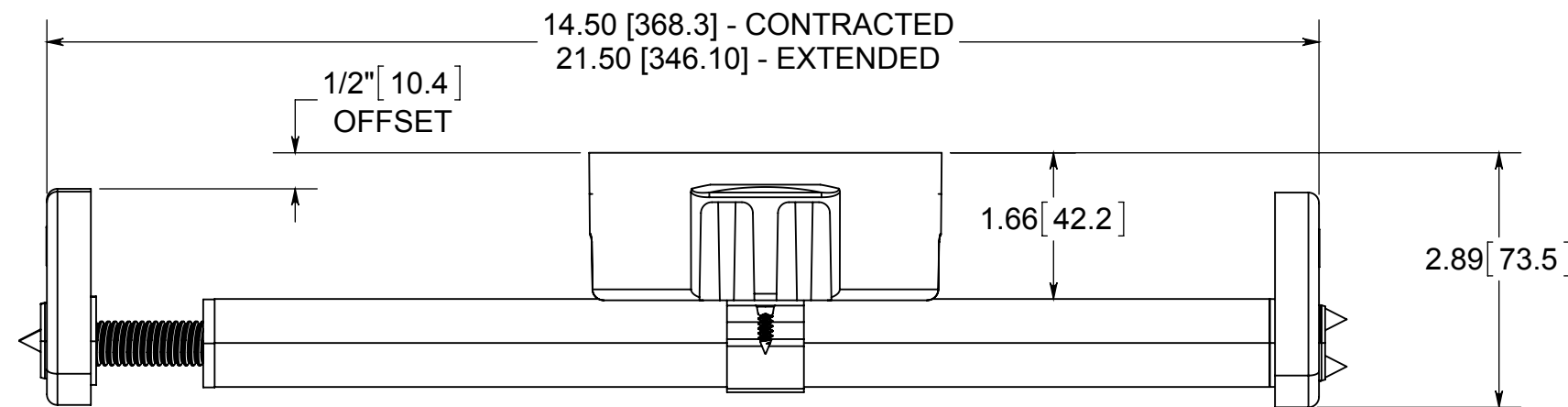
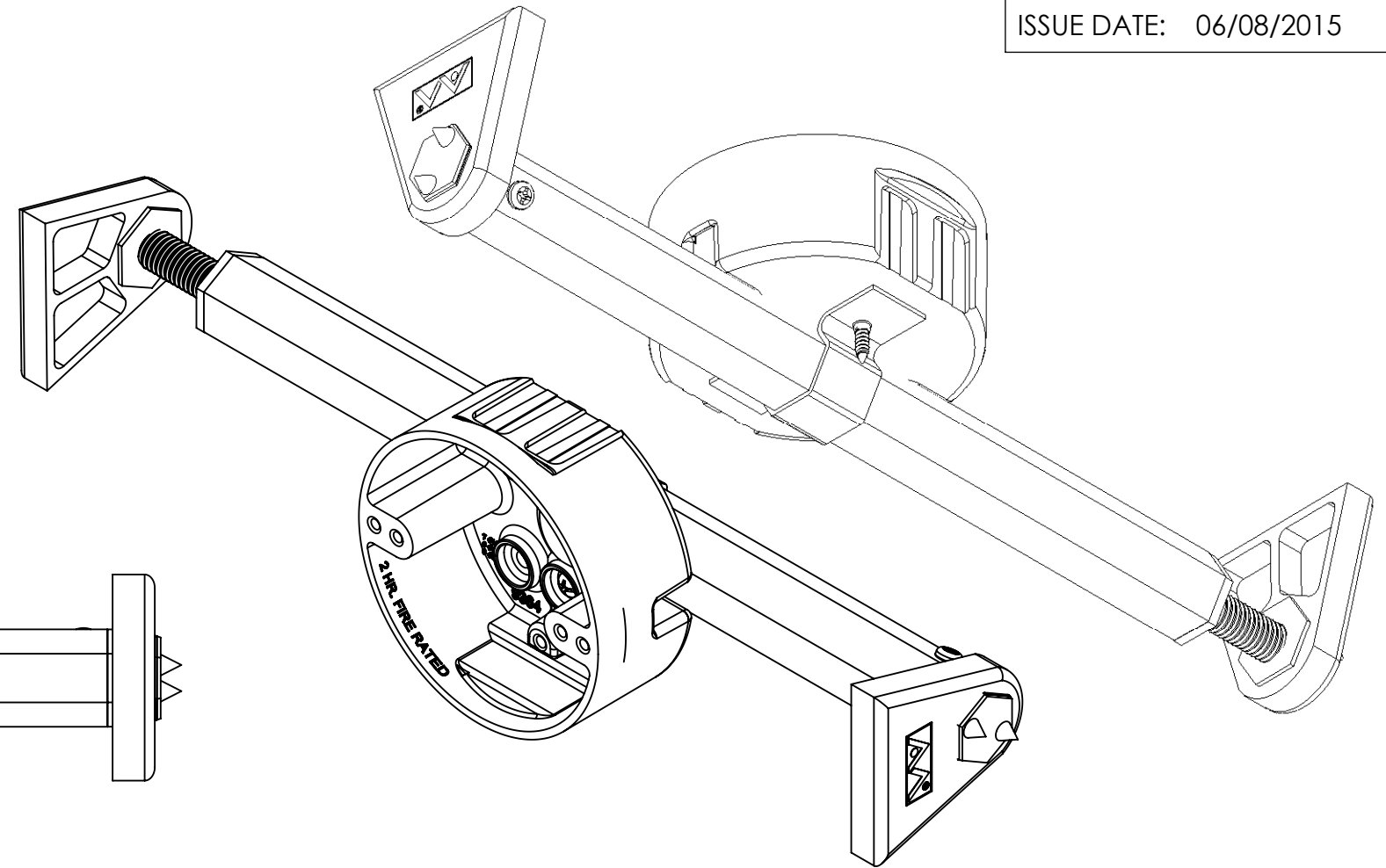
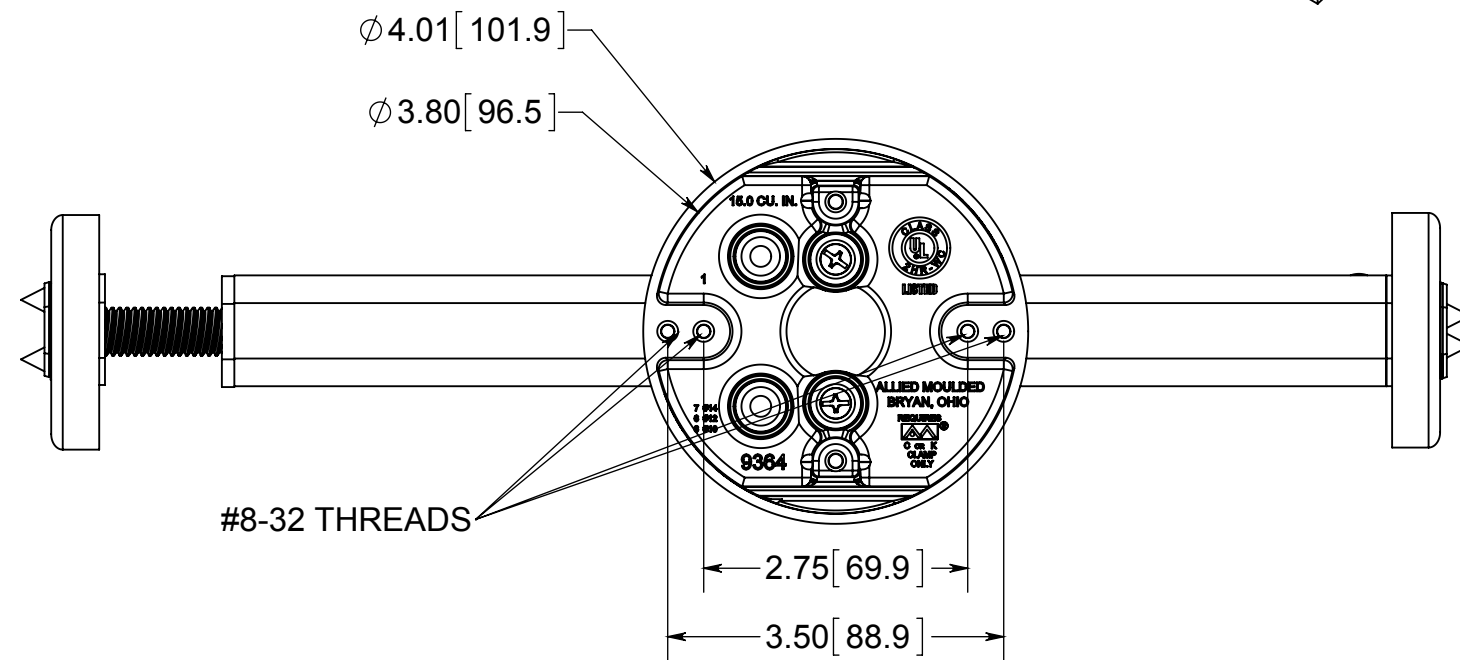


fiberglass BOX™

ISSUE DATE: 06/08/2015



- 1.) BOX MATERIAL: FIBERGLASS REINFORCED POLYESTER, BAR ASSEMBLY MATERIAL: ZINC PLATED STEEL AND ZINC PLATED CAST STEEL, BAR ASSEMBLY MOUNTING BRACKET MATERIAL: GALVANIZED STEEL, BAR ASSEMBLY MOUNTING BRACKET SCREW MATERIAL: ZINC PLATED STEEL, BAR LEG MATERIAL: PP, SPEED KLAMP MATERIAL: PVC
- 2.) UL LISTED WITH 2 HOUR FIRE RATING FOR WALL AND CEILING
- 3.) 16"-24" ADJUSTMENT BAR HANGER
- 4.) SPEED KLAMPS FACTORY INSTALLED



® **ALLIED MOULDED PRODUCTS**
BRYAN, OHIO

The Original Fiber Glass Outlet Box

PRODUCT SERIES

OLD WORK 4" ROUND 15.0 CU. IN.

Part No.

9364-FRBKOW

CONFIDENTIAL

THIS MATERIAL IS OWNED BY THE ALLIED MOULDED PRODUCTS COMPANY, IS DISCLOSED IN CONFIDENCE, AND IS NOT TO BE REPRODUCED OR DISTRIBUTED WITHOUT PRIOR WRITTEN PERMISSION FROM ALLIED MOULDED PRODUCTS.