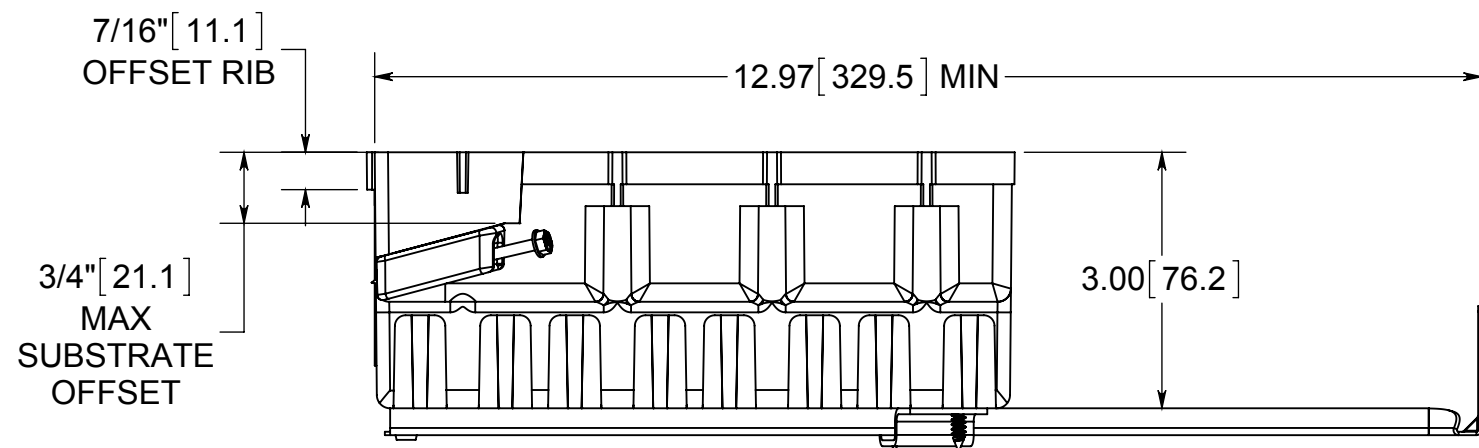
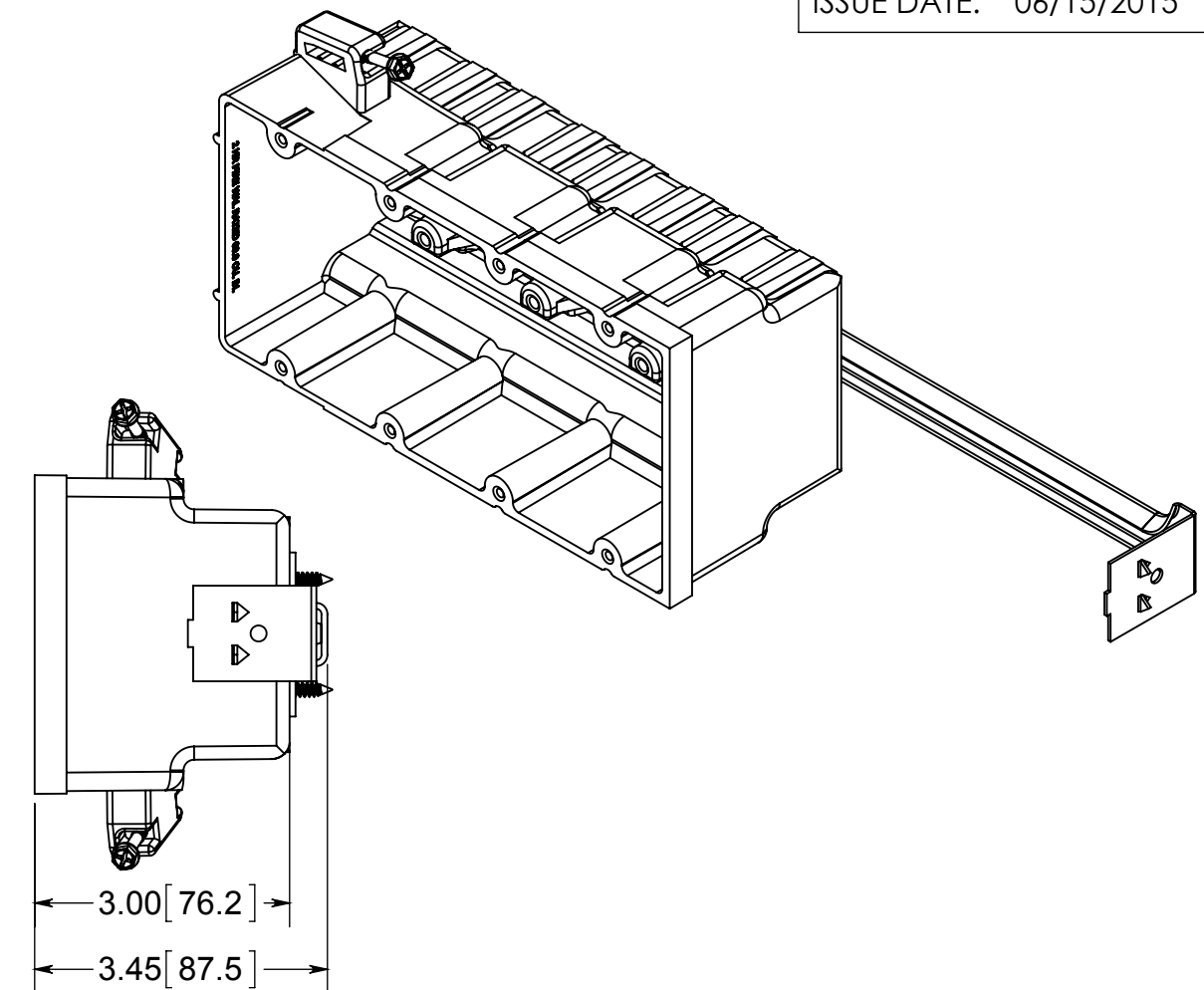
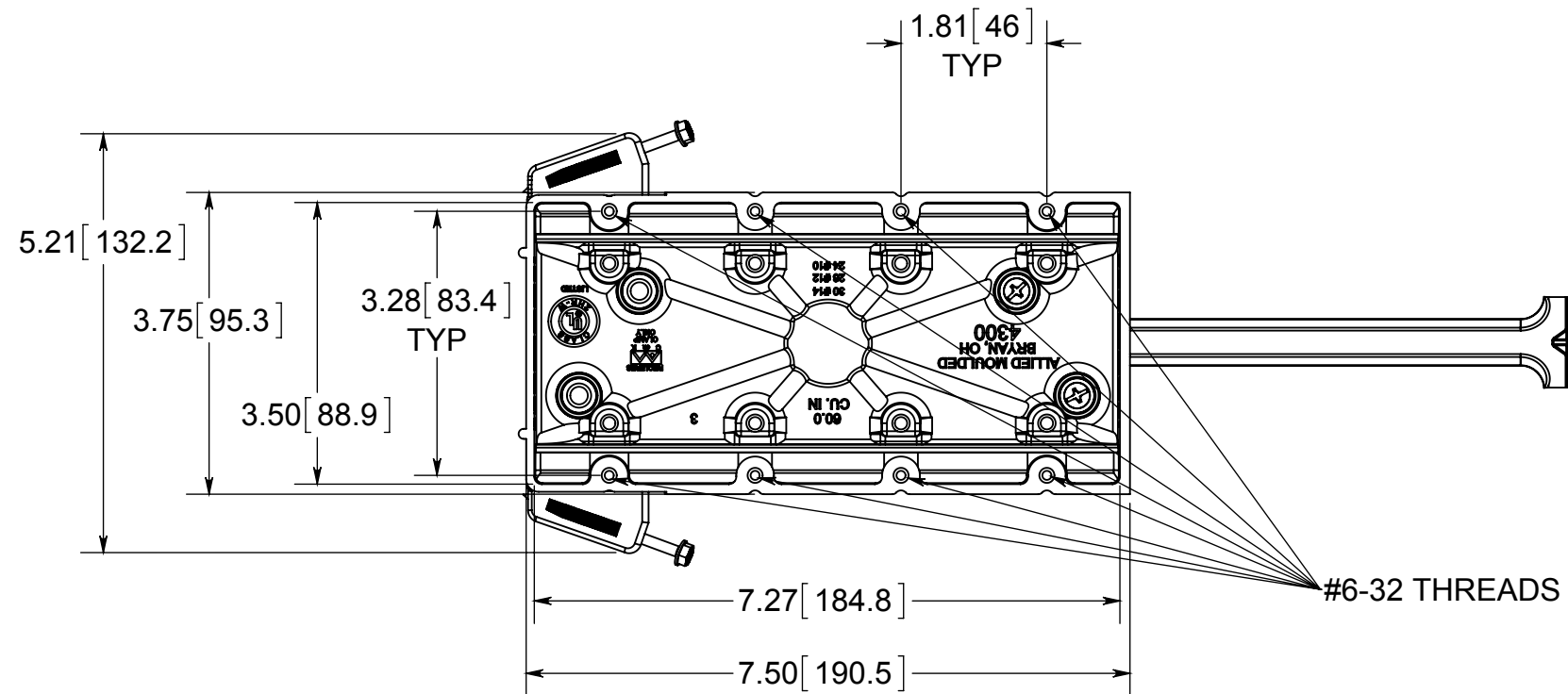


fiberglass BOX™

ISSUE DATE: 06/15/2015



- NOTES:
- 1.) BOX MATERIAL: FIBERGLASS REINFORCED POLYESTER, SCREW MATERIAL: PLATED CARBON STEEL, BAR MATERIAL: GALVANIZED STEEL, BAR MOUNTING BRACKET MATERIAL: GALVANIZED STEEL, MOUNTING BRACKET SCREW MATERIAL: ZINC PLATED STEEL
 - 2.) UL LISTED WITH 2 HOUR FIRE RATING FOR WALL
 - 3.) 6 SPEED KLAMPS BULK PACKED



PRODUCT SERIES

FOUR GANG 60.0 CU. IN.

Part No.

4300-SSB

CONFIDENTIAL

THIS MATERIAL IS OWNED BY THE ALLIED MOULDED PRODUCTS COMPANY, IS DISCLOSED IN CONFIDENCE, AND IS NOT TO BE REPRODUCED OR DISTRIBUTED WITHOUT PRIOR WRITTEN PERMISSION FROM ALLIED MOULDED PRODUCTS.