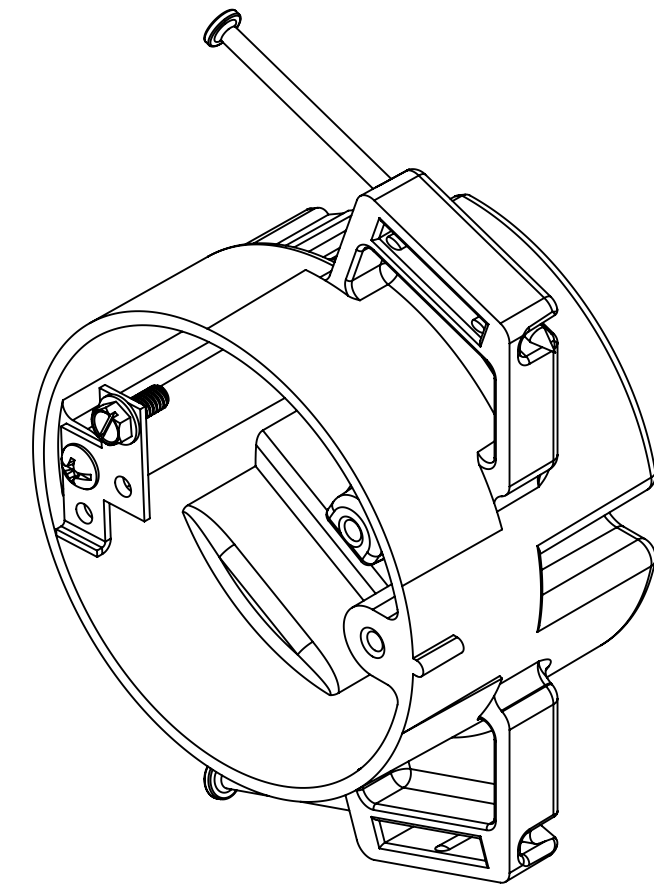
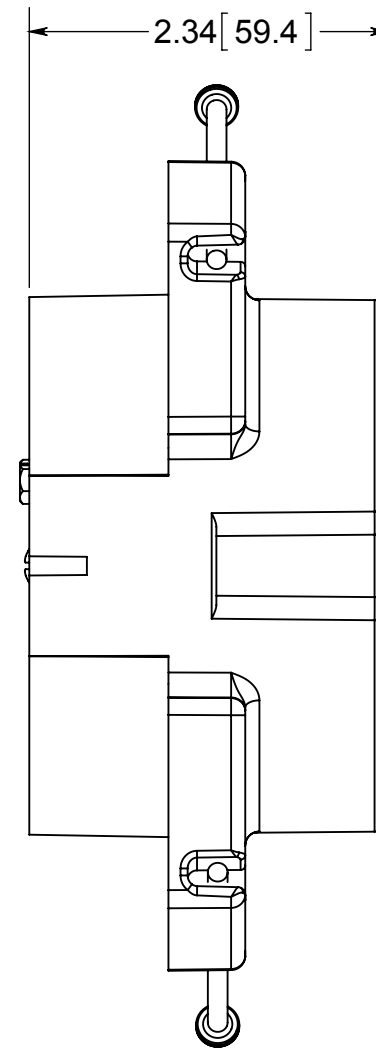
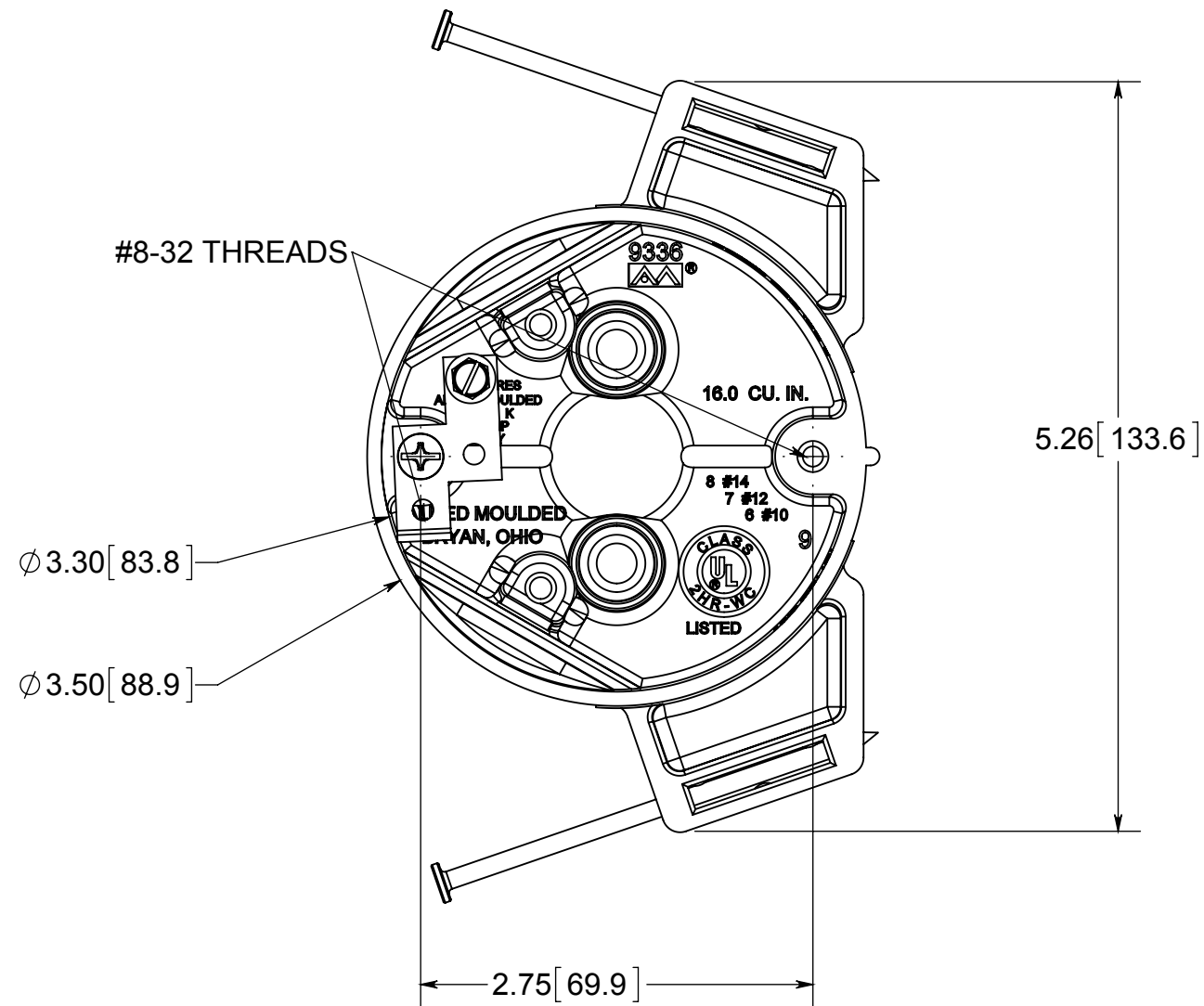


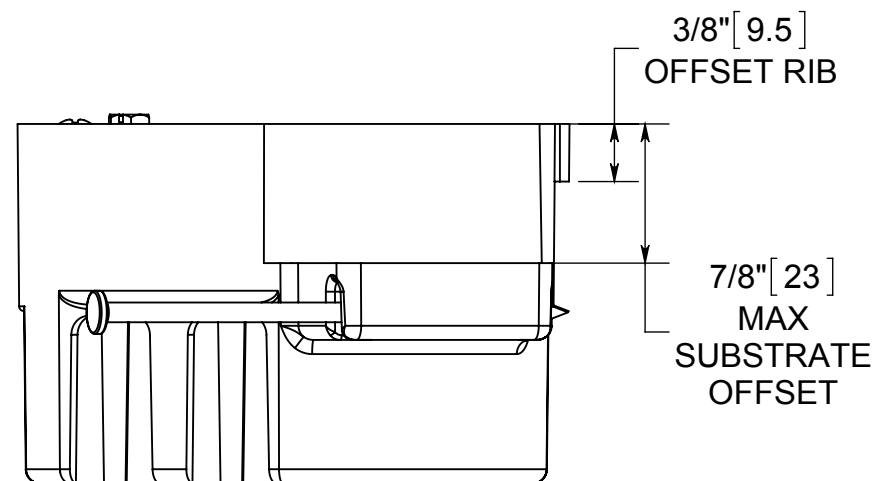
fiberglass BOX™

ISSUE DATE: 06/17/2015



NOTES:

- 1.) BOX MATERIAL: FIBERGLASS REINFORCED POLYESTER, NAIL MATERIAL: PLATED CARBON STEEL, SPEED KLAMP MATERIAL: PVC, GROUND STRAP MATERIAL: GALVANIZED STEEL, GROUND STRAP MOUNTING SCREW MATERIAL: ZINC PLATED STEEL, GROUND SCREW MATERIAL: GREEN ZINC PLATED STEEL
- 2.) UL LISTED WITH 2 HOUR FIRE RATING FOR WALL AND CEILING
- 3.) ANGLED MID-NAILED
- 4.) 2 SPEED KLAMPS BULK PACKED



® **ALLIED MOULDED PRODUCTS**
BRYAN, OHIO

The Original Fiber Glass Outlet Box

PRODUCT SERIES

3-1/2" ROUND 16.0 CU. IN.

Part No.

9336-NG

CONFIDENTIAL

THIS MATERIAL IS OWNED BY THE ALLIED MOULDED PRODUCTS COMPANY, IS DISCLOSED IN CONFIDENCE, AND IS NOT TO BE REPRODUCED OR DISTRIBUTED WITHOUT PRIOR WRITTEN PERMISSION FROM ALLIED MOULDED PRODUCTS.