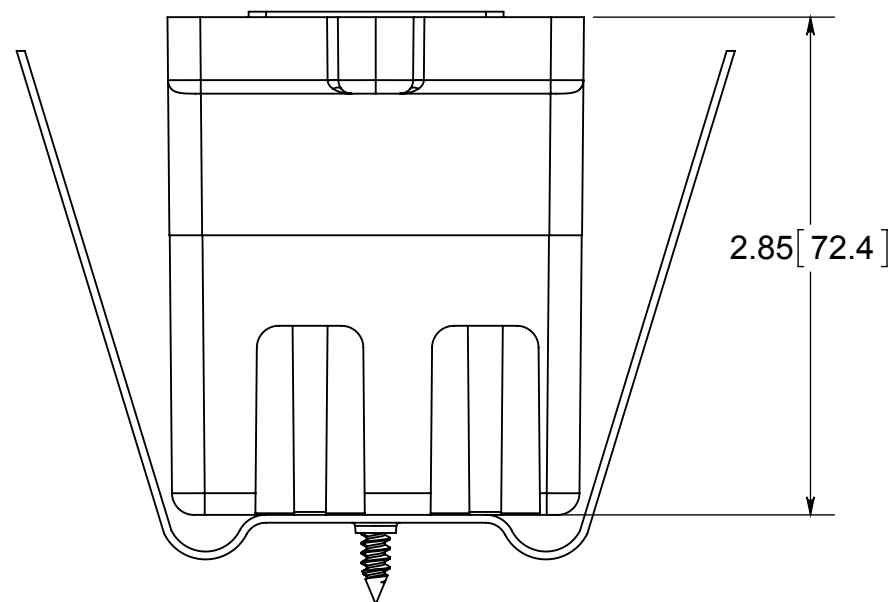
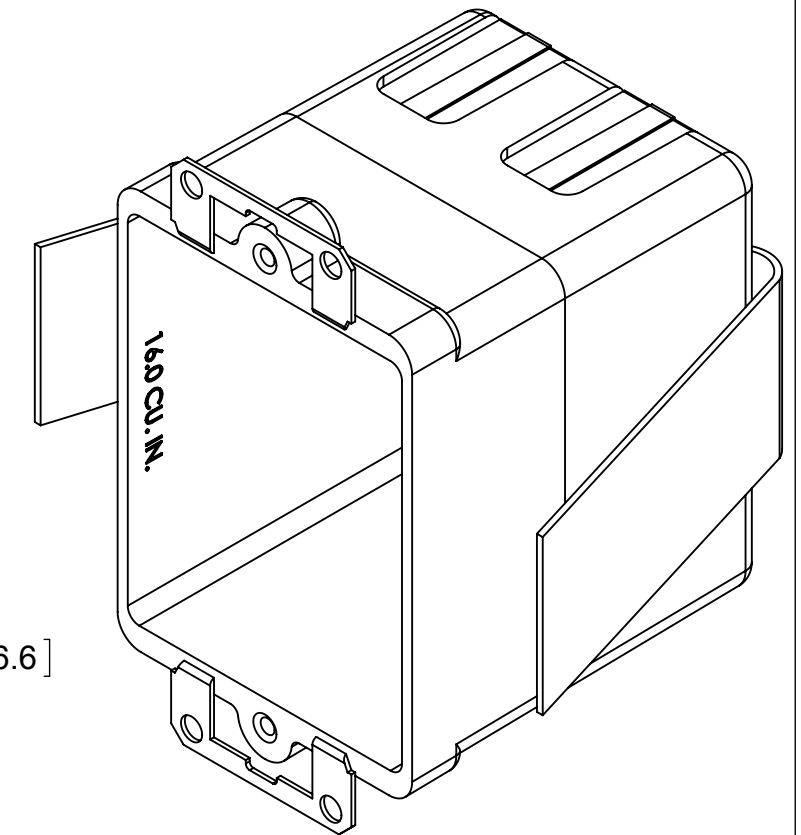
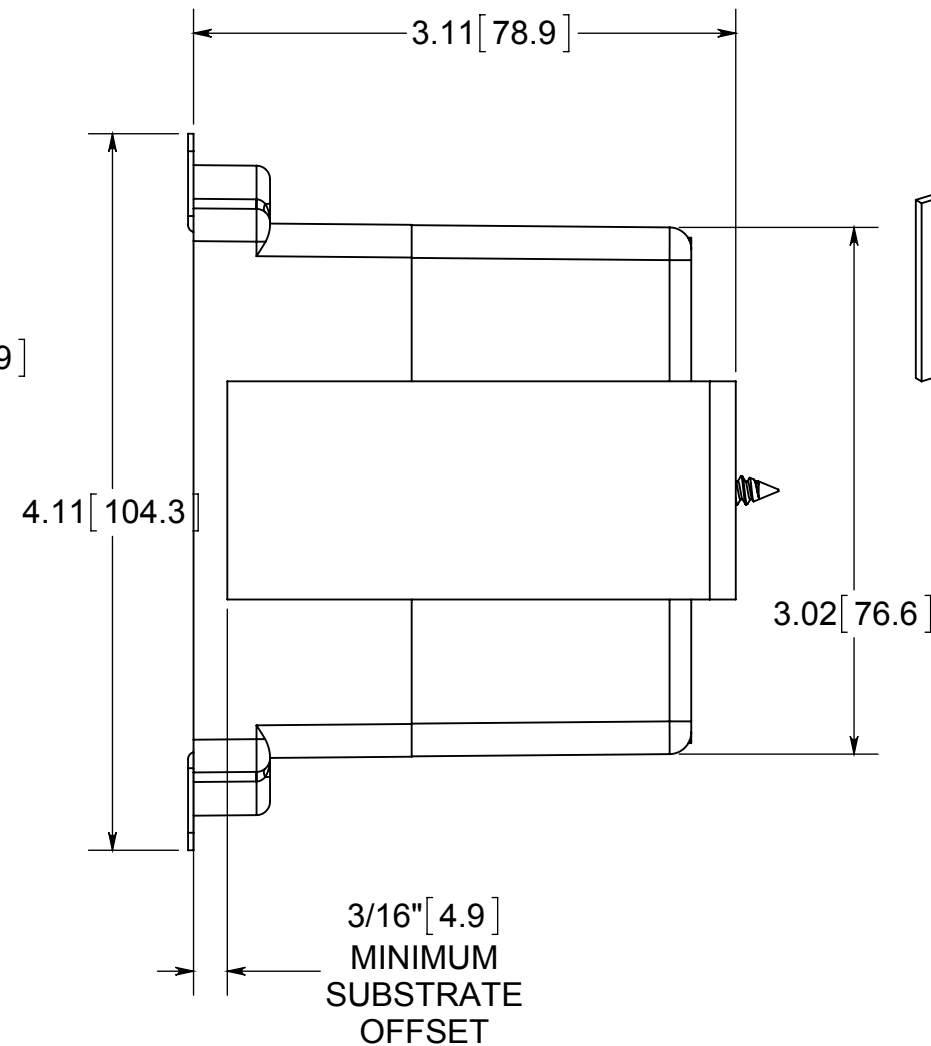
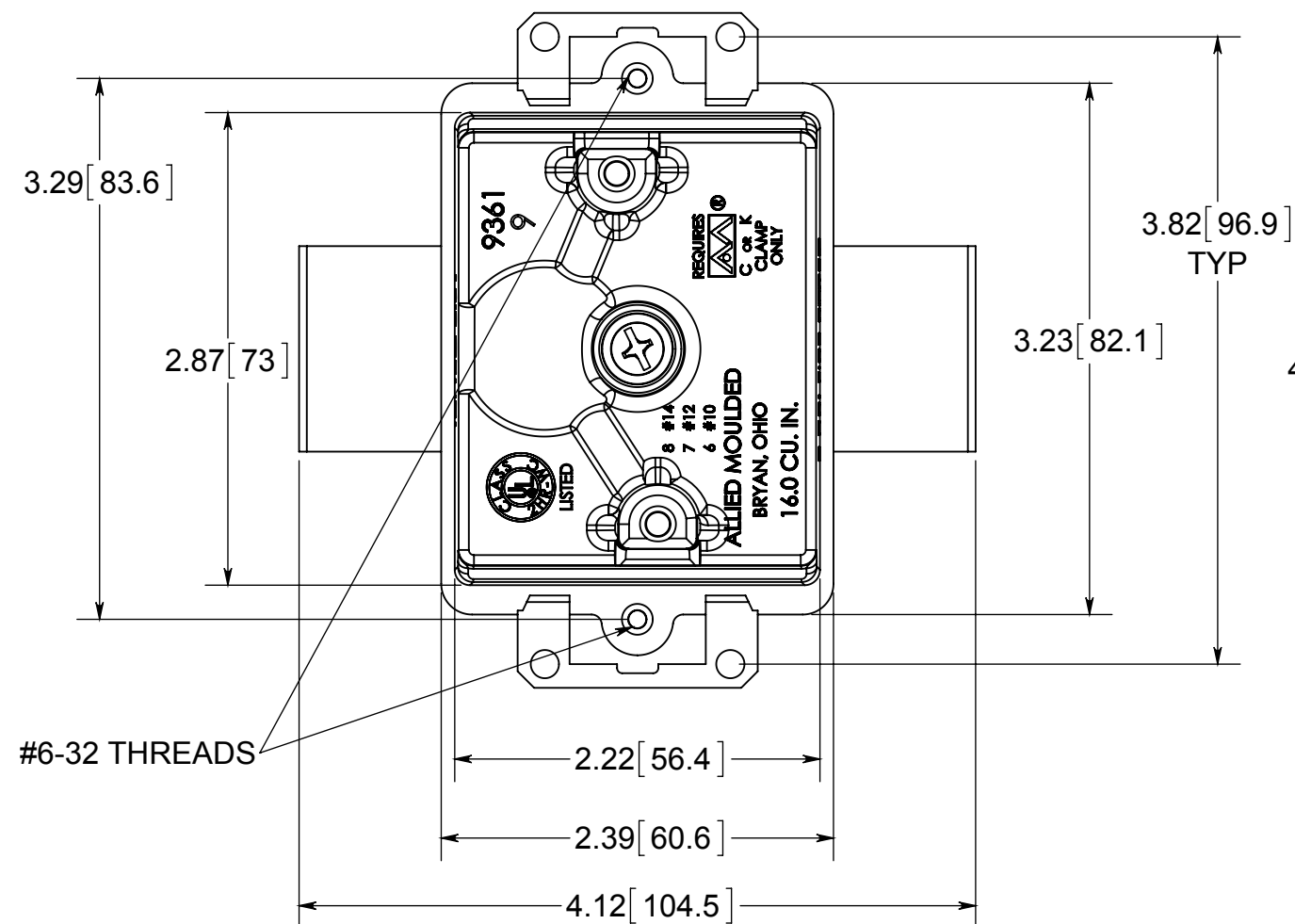


# fiberglass BOX™

ISSUE DATE: 06/18/2015



- NOTES:  
1.) BOX MATERIAL: FIBERGLASS REINFORCED POLYESTER, EAR MATERIAL: GALVANIZED STEEL, SNAP BRACKET MATERIAL: GALVANIZED STEEL, SNAP BRACKET SCREW MATERIAL: ZINC PLATED STEEL, SPEED KLAMP MATERIAL: PVC  
2.) UL LISTED WITH 2 HOUR FIRE RATING FOR WALL  
3.) 2 SPEED KLAMPS BULK PACKED



® **ALLIED MOULDED PRODUCTS**  
BRYAN, OHIO  
The Original Fiber Glass Outlet Box

PRODUCT SERIES  
**OLD WORK SINGLE GANG 16.0 CU. IN.**

Part No.  
**9361-ES**

**CONFIDENTIAL**  
THIS MATERIAL IS OWNED BY THE ALLIED MOULDED PRODUCTS COMPANY, IS DISCLOSED IN CONFIDENCE, AND IS NOT TO BE REPRODUCED OR DISTRIBUTED WITHOUT PRIOR WRITTEN PERMISSION FROM ALLIED MOULDED PRODUCTS.