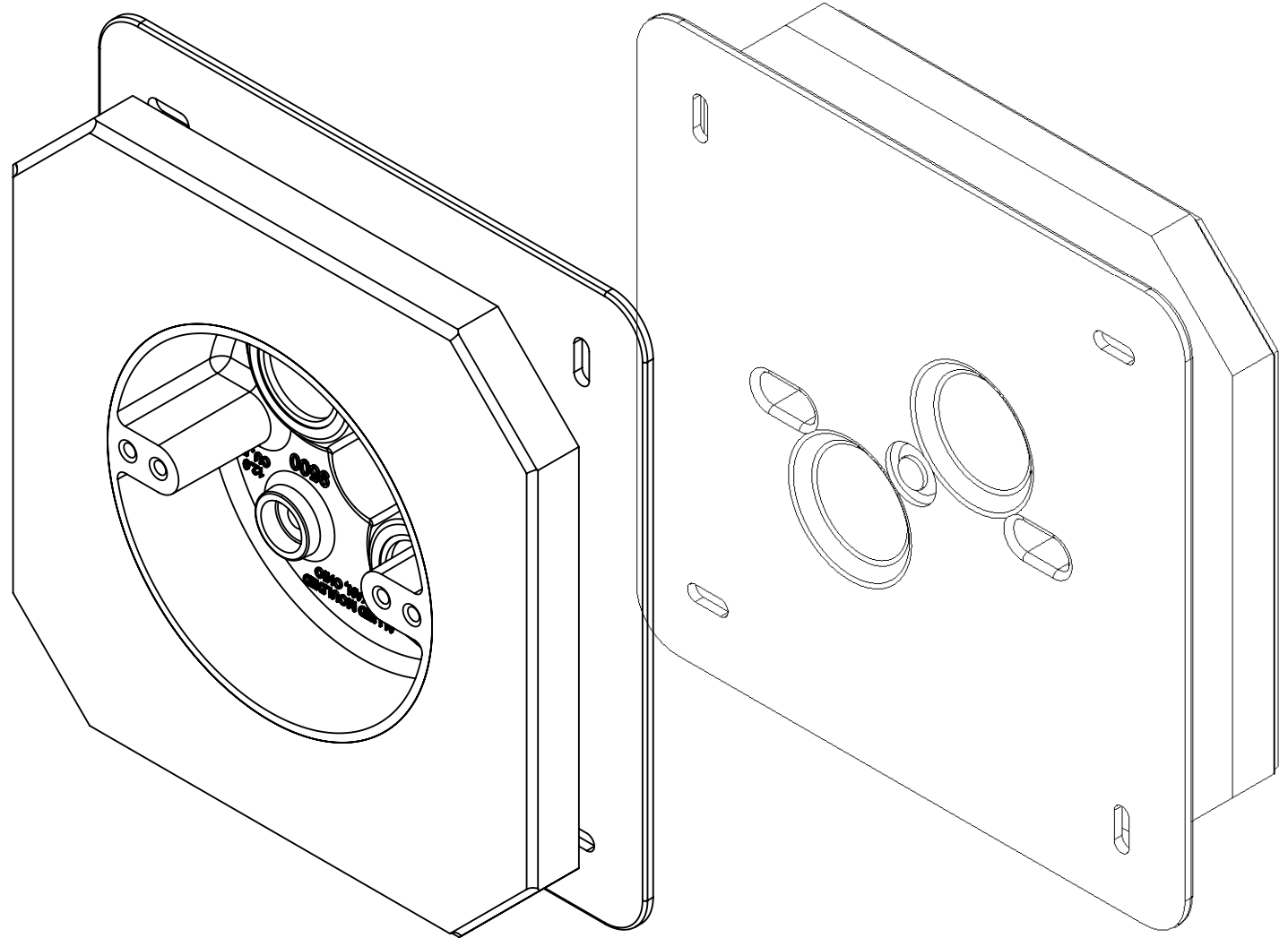
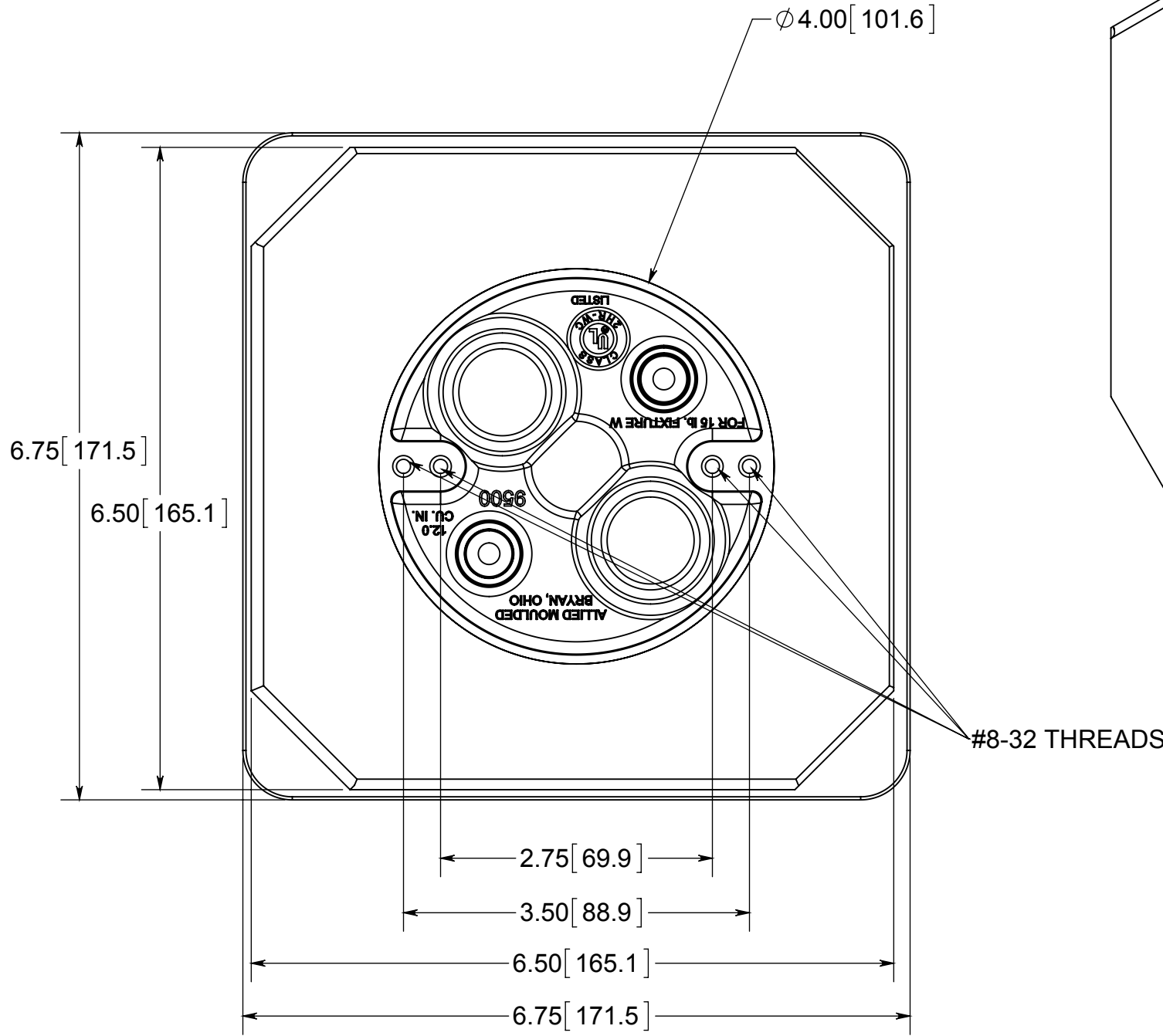
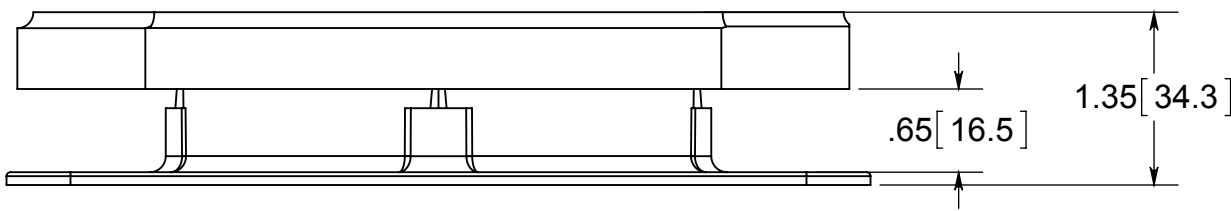


PARA-FORM



- 1.) BOX MATERIAL: FIBERGLASS REINFORCED POLYESTER
- 2.) UL LISTED WITH 2 HOUR FIRE RATING FOR WALL AND CEILING
- 3.) "POP IN" NON-METALLIC SHEATHED CABLE CLAMP INCLUDED



 **ALLIED MOULDED PRODUCTS**
BRYAN, OHIO
The Original Fiber Glass Outlet Box

PRODUCT SERIES

Siding Box 12.0 CU. IN.

Part No.

AC9501

CONFIDENTIAL
THIS MATERIAL IS OWNED BY THE ALLIED MOULDED PRODUCTS COMPANY, IS DISCLOSED IN CONFIDENCE, AND IS NOT TO BE REPRODUCED OR DISTRIBUTED WITHOUT PRIOR WRITTEN PERMISSION FROM ALLIED MOULDED PRODUCTS.