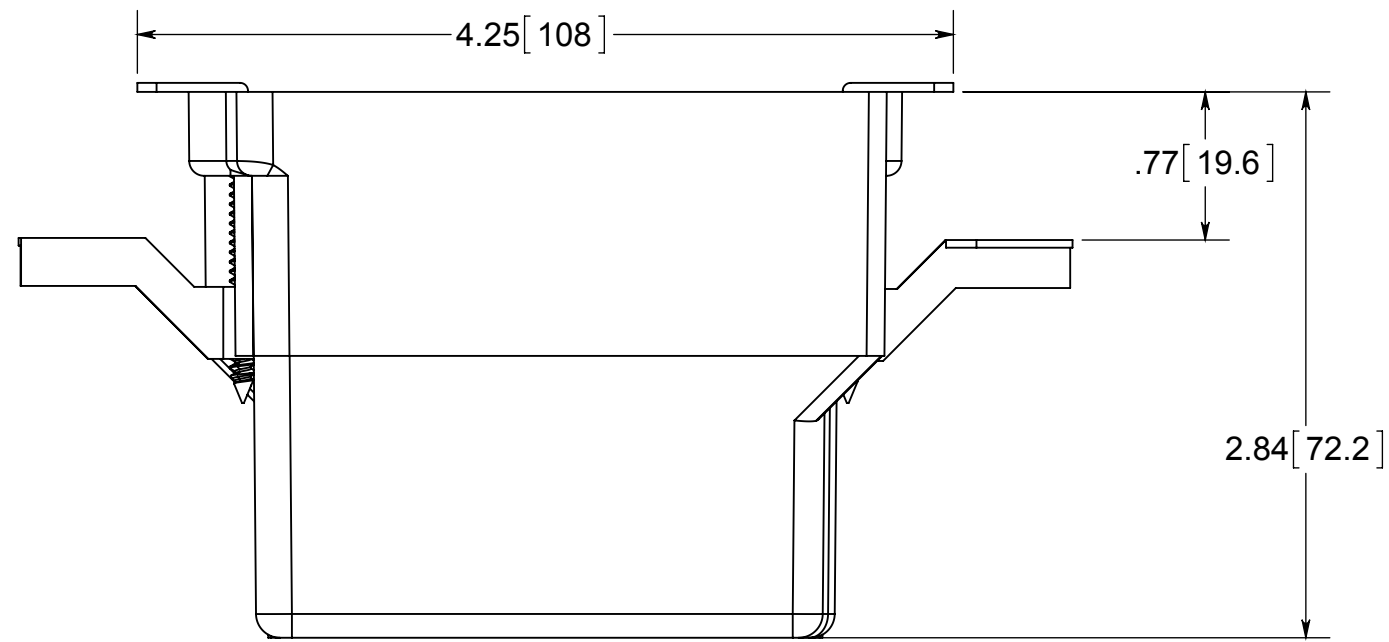
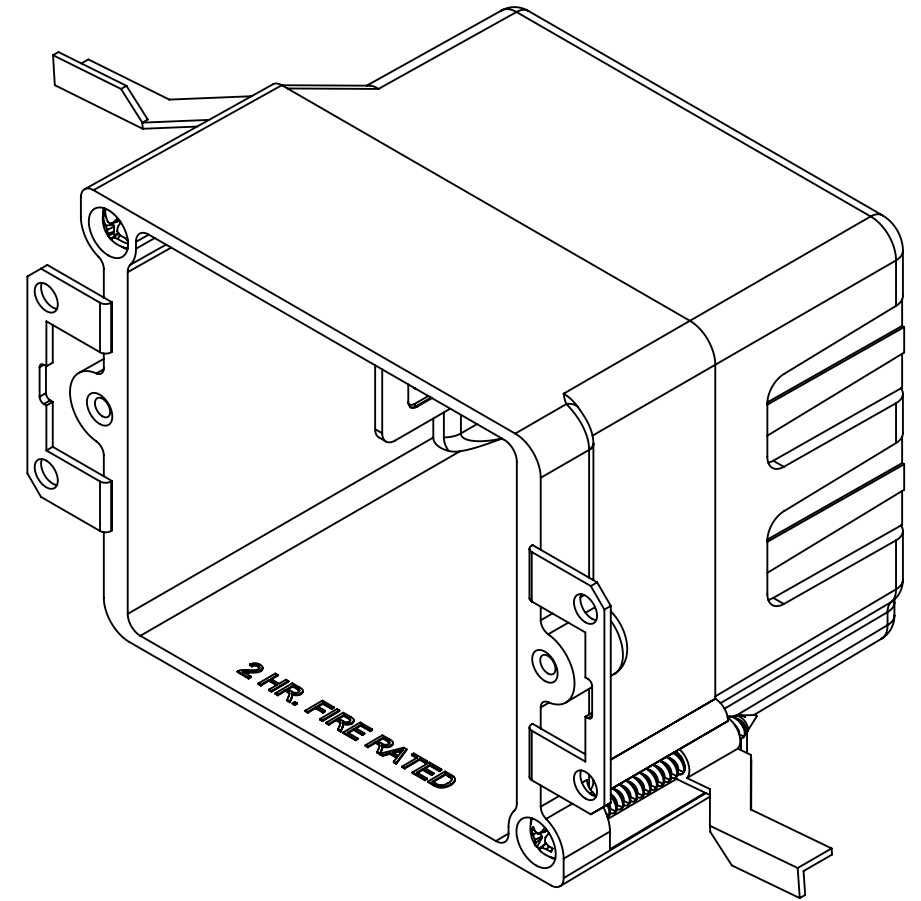
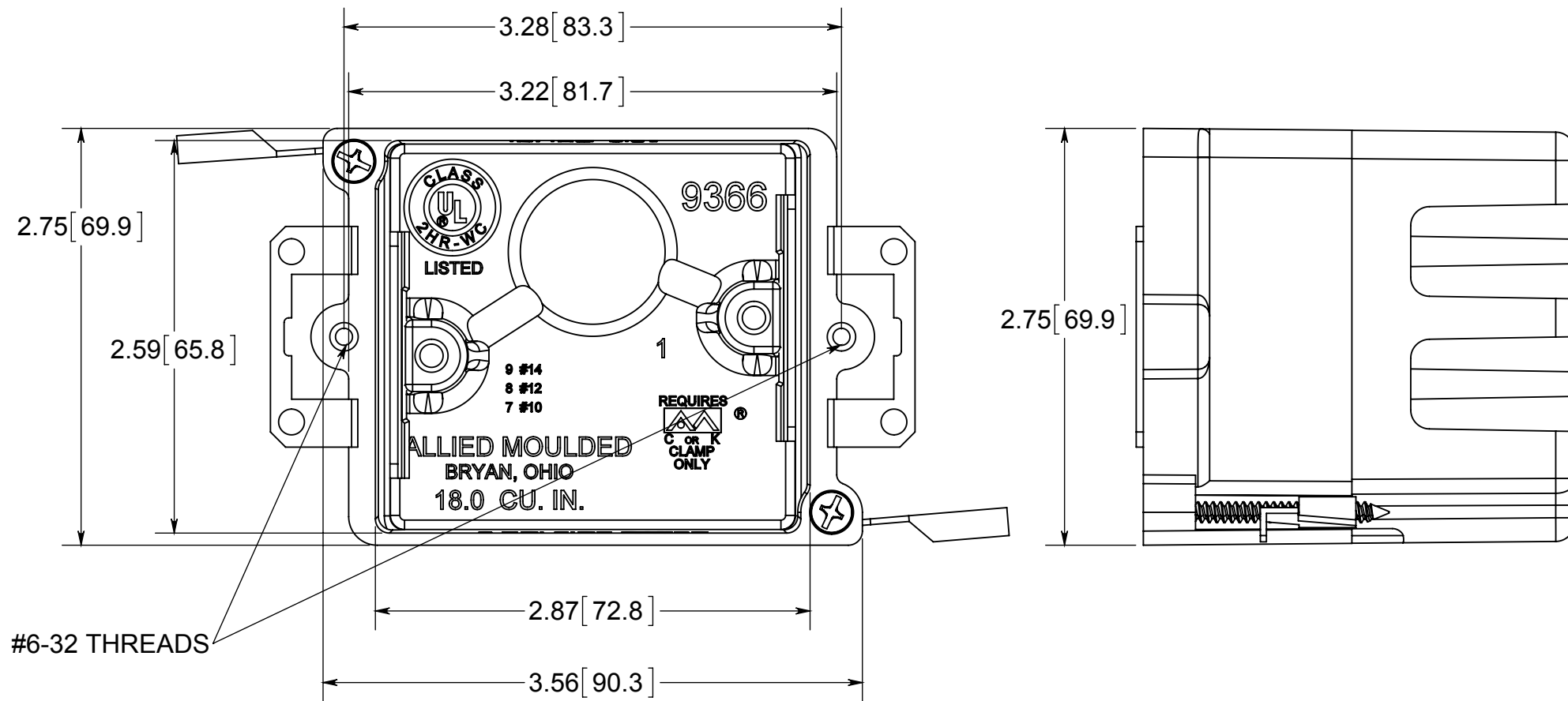


# fiberglass BOX™

ISSUE DATE: 05/20/2015



- NOTES:
- 1.) BOX MATERIAL: FIBERGLASS REINFORCED POLYESTER, EAR MATERIAL: GALVANIZED STEEL, WING MATERIAL: GALVANIZED STEEL, WING SCREW MATERIAL: ZINC COATED STEEL, SPEED KLAMP MATERIAL: PVC
  - 2.) UL LISTED WITH 2 HOUR FIRE RATING FOR WALL AND CEILING
  - 3.) 2 SPEED KLAMPS FACTORY INSTALLED

 **ALLIED MOULDED PRODUCTS**  
BRYAN, OHIO  
The Original Fiber Glass Outlet Box

PRODUCT SERIES  
**OLD WORK SINGLE GANG 18.0 CU. IN.**

Part No.  
**9366-EWK**

**CONFIDENTIAL**  
THIS MATERIAL IS OWNED BY THE ALLIED MOULDED PRODUCTS COMPANY, IS DISCLOSED IN CONFIDENCE, AND IS NOT TO BE REPRODUCED OR DISTRIBUTED WITHOUT PRIOR WRITTEN PERMISSION FROM ALLIED MOULDED PRODUCTS.