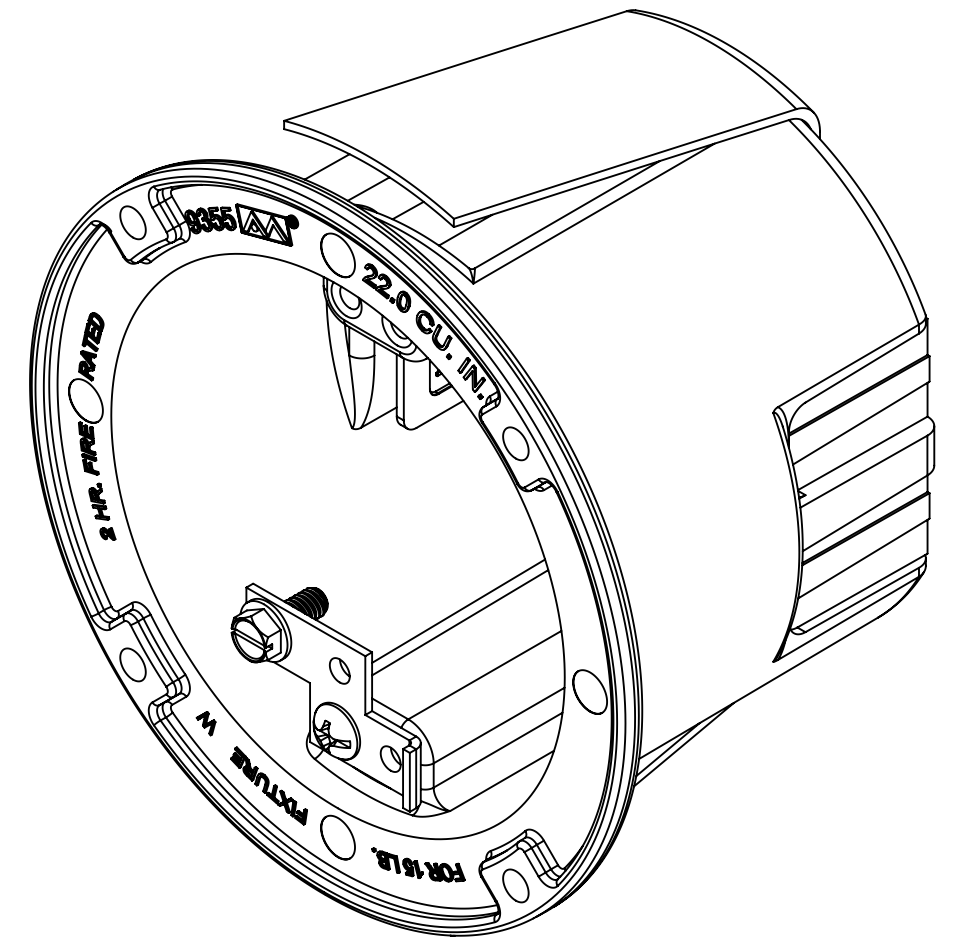
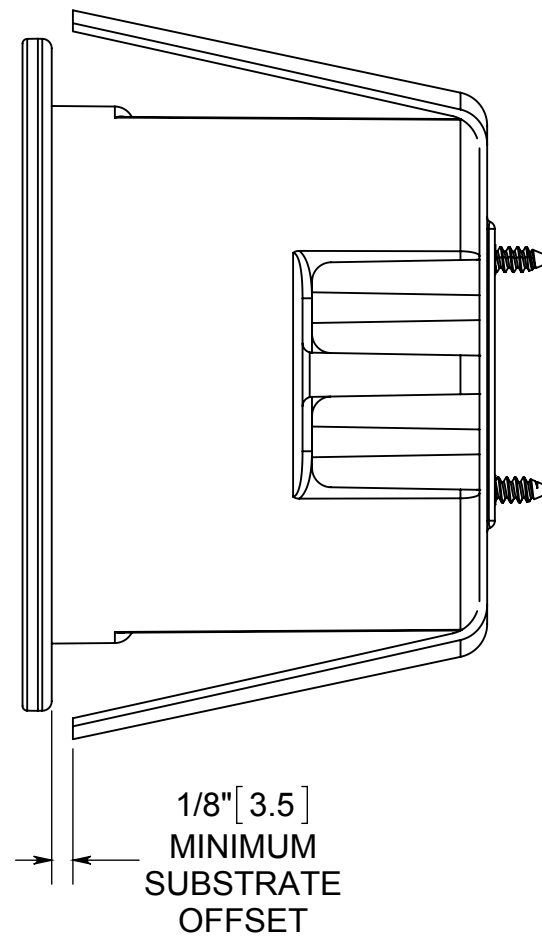
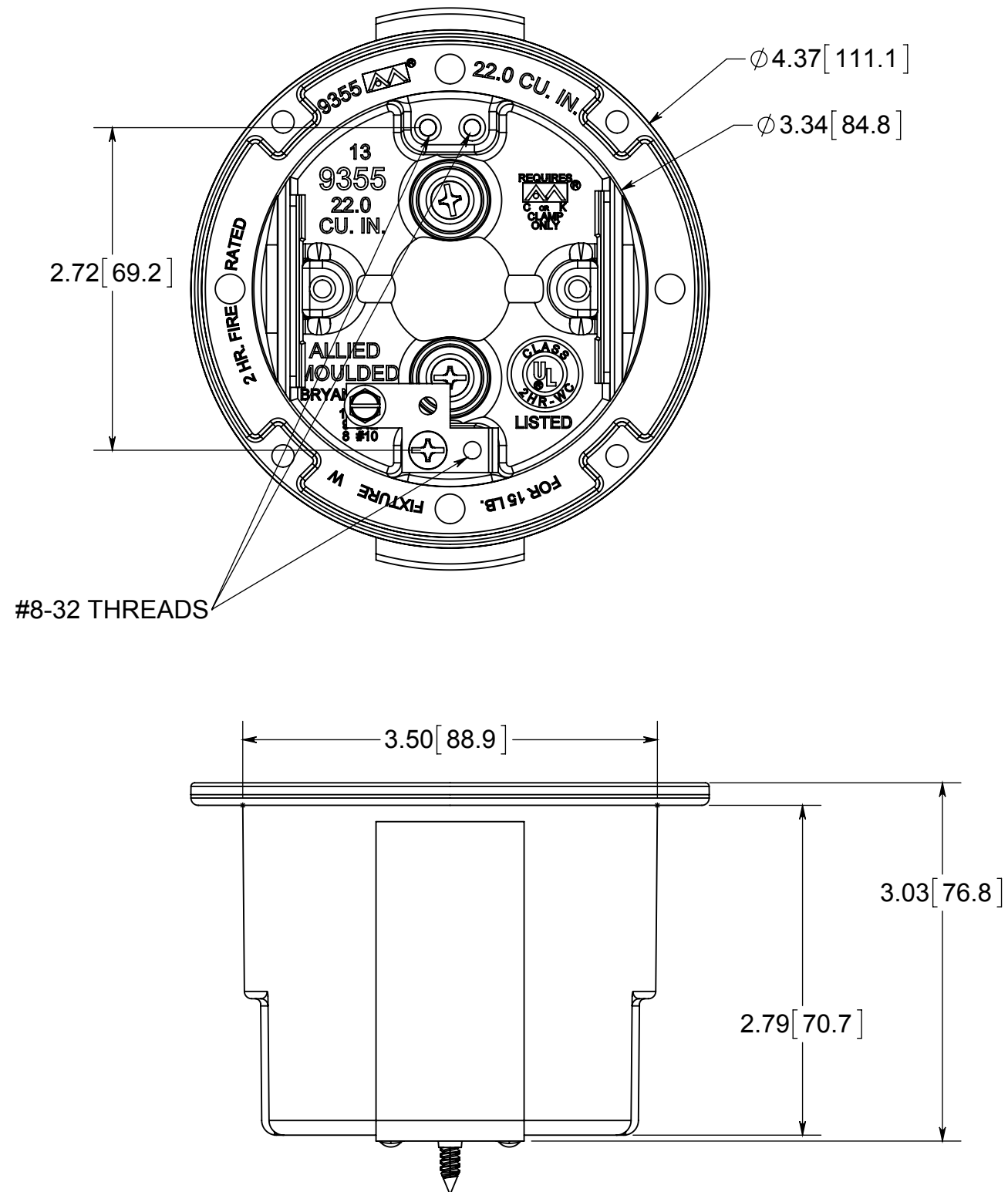


# fiberglass BOX™

ISSUE DATE: 06/29/2015



- NOTES:
- 1.) BOX MATERIAL: FIBERGLASS REINFORCED POLYESTER, SNAP BRACKET MATERIAL: GALVANIZED STEEL, SNAP BRACKET SCREW MATERIAL: ZINC PLATED STEEL, GROUND STRAP MATERIAL: GALVANIZED STEEL, GROUND STRAP MOUNTING SCREW: ZINC PLATED STEEL, GROUND SCREW MATERIAL: GREEN ZINC PLATED STEEL, SPEED KLAMP MATERIAL: PVC
  - 2.) UL LISTED WITH 2 HOUR FIRE RATING FOR WALL AND CEILING
  - 3.) 2 SPEED KLAMPS FACTORY INSTALLED

 **ALLIED MOULDED PRODUCTS**  
BRYAN, OHIO  
The Original Fiber Glass Outlet Box

PRODUCT SERIES  
3-1/2" OLD WORK ROUND 22.0 CU. IN.

Part No.  
**9355-SGK**

**CONFIDENTIAL**  
THIS MATERIAL IS OWNED BY THE ALLIED MOULDED PRODUCTS COMPANY, IS DISCLOSED IN CONFIDENCE, AND IS NOT TO BE REPRODUCED OR DISTRIBUTED WITHOUT PRIOR WRITTEN PERMISSION FROM ALLIED MOULDED PRODUCTS.